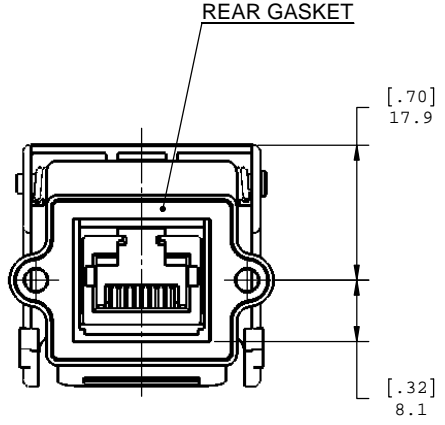
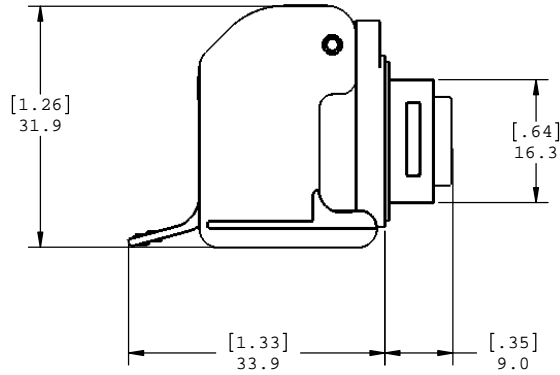
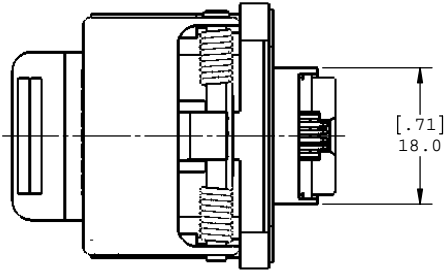


REV - DESCRIPT - DATE - APPRVD



CONNECTOR WITH COVER CLOSED

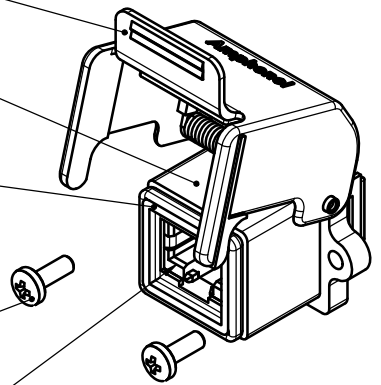
SPRING LOADED COVER WITH GASKET

SHELL

PLUG SEALING GASKET (SUPPLIED FOR ID750-000 ONLY)

SELF-SEALING 4-40 UNC SCREW 7.9 [.313] LENGTH

RJ INSERT



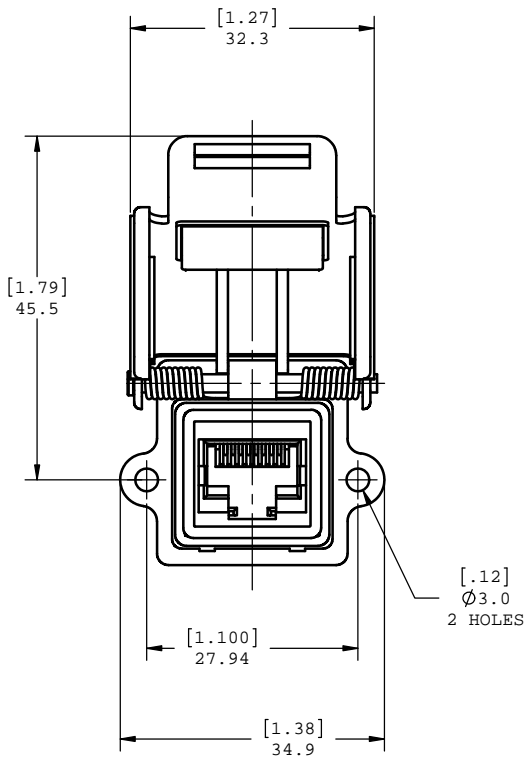
NOTES:

1. MATERIAL:
 - SHELL: ZINC ALLOY DIE CAST, 3 MICRONS [120 μm] MIN NICKEL OVERALL.
 - COVER: ZINC ALLOY DIE CAST, 3 MICRONS [120 μm] MIN NICKEL OVERALL.
 - SCREWS: STAINLESS STEEL.
 - HOUSING: HIGH TEMPERATURE THERMOPLASTIC, GLASS FILLED. FLAMMABILITY RATING UL94V-0, COLOR - BLACK.
 - CONTACTS: PHOSPHOR BRONZE, 1.27 MICRONS [50 μm] GOLD PLATED OVER NICKEL.
 - GASKETS: SILICONE RUBBER.
2. OPERATING TEMPERATURE: -40°C TO +85°C.
3. ENVIROMENT PERFORMANCE: IP67.
4. CONNECTOR IS ROHS COMPLIANT PER EU DIRECTIVE 2002/95/EC AND AMENDMENTS.
5. CONNECTOR IS ETHERNET CAT5 TEST COMPLIANT PER TIA/EIA 568B - ISO/IEC 11801 STANDARD.
6. PART NUMBER FOR ORDER IS ID450-000.

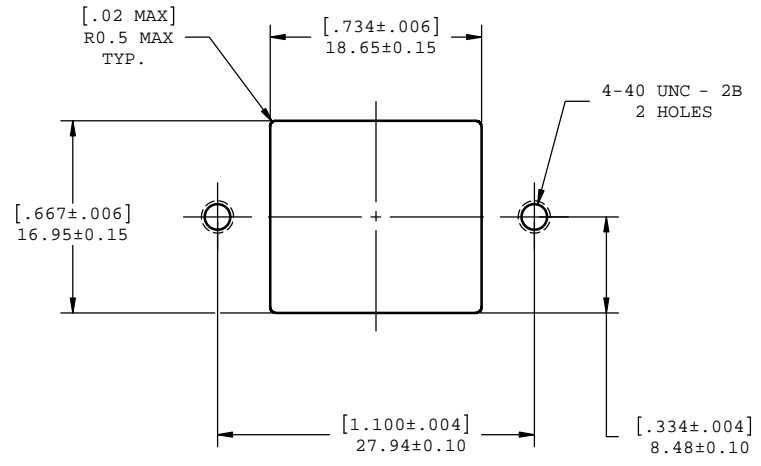
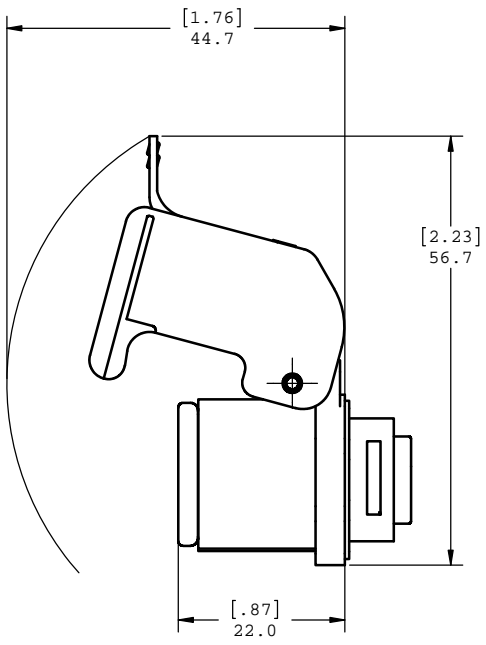


UNLESS OTHERWISE SPECIFIED DIMENSIONS ARE IN MILLIMETER TOLERANCES ARE:		APPROVALS	DATE	Amphenol Canada Corp.		
DECIMALS	ANGLES	DRAWN	FEB27/07			
.XX ±.10	± 1°	S.SEMENOV		TITLE		
.X ±.25		DESIGNED	FEB27/07			
MATERIAL AND FINISH		CHECKED		RJ RECEPTACLE		
REF.		QA APP'D				
CODE IDENT. NO.		IE APP'D		SIZE	DWG. NO.	REV.
		DWG APP'D	FEB27/07	C	P-ID450-000	1C
		A.GREEN		SCALE	PROJECT ID	SHEET
				2:1		1 OF 2

REV - DESCRIPT - DATE - APPRVD



CONNECTOR WITH COVER OPENED



PANEL CUTOUT



UNLESS OTHERWISE SPECIFIED DIMENSIONS ARE IN MILLIMETER TOLERANCES ARE:		APPROVALS	DATE	Amphenol Canada Corp.	
DECIMALS	ANGLES	DRAWN	FEB27/07		
.XX ±.10	± 1°	S.SEMENOV		TITLE	
.X ±.25		DESIGNED	FEB27/07		
MATERIAL AND FINISH		CHECKED		SIZE C	
		QA APP'D			
		IE APP'D			
REF.		DWG APP'D	FEB27/07	DWG. NO.	REV.
CODE IDENT. NO.		A.GREEN		P-ID450-000	1C
			SCALE	PROJECT	SHEET
			2:1	ID	2 OF 2

DO NOT SCALE DRAWING
 THIS DOCUMENT CONTAINS PROPRIETARY INFORMATION AND SUCH INFORMATION MAY NOT BE DISCLOSED TO OTHERS FOR ANY PURPOSE OR USED FOR MANUFACTURING PURPOSES WITHOUT PERMISSION FROM AMPHENOL CANADA CORP.