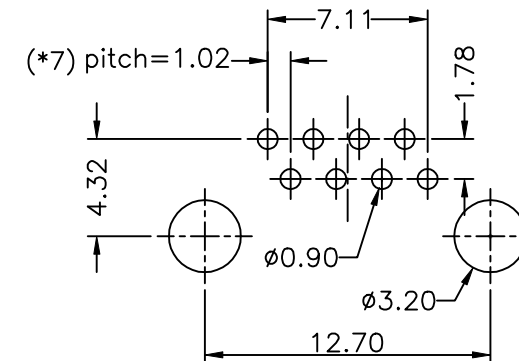
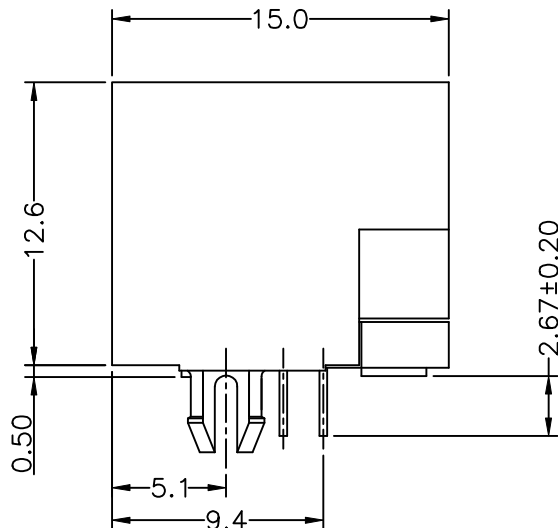
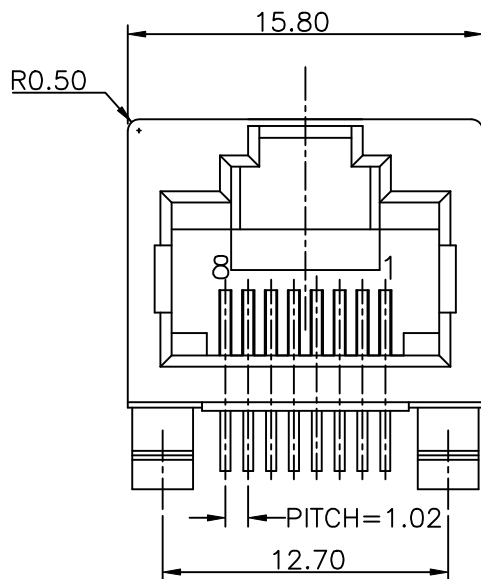


A1RFRD10

REVISION RECORD				
REV	ECO	DESCRIPTION	DRFT	CHKD



PC Board Thickness=1.60mm  
 PC Board Layout Component Side Shown

**NOTES:**

**ELECTRICAL:**

- VOLTAGE RATING : 125 VAC RMS.
- CURRENT RATING : 1.5 AMP.
- CONTACT RESISTANCE : 30 MILLIOHMS MAX.
- INSULATION RESISTANCE: 1000 MEGOHMS MIN @ 500 VDC.
- DIELECTRIC STRENGTH : 1000 VAC RMS 60Hz, 1MIN.
- OPERATING: 750 CYCLES MIN.

**MECHANICAL:**

- HOUSING MATERIAL : PBT+30%.G.F UL94V-0. COLOR-BLACK.
- INSERT MATERIAL : PBT+30%GF UL94V-0. COLOR-BLACK.
- CONTACT MATERIAL : PHOSPHOR BRONZE 0.35mm THICKNESS.
- PLATING : GOLD PLATING OVER NICKEL.
- PCB RETENTION PRE-SOLDER : 1 LB MIN.
- PCB RETENTION POST-SOLDER: 10 LBS MIN.

**ENVIRONMENTAL:**

- STORAGE : -40°C TO +85°C.
- OPERATION: 0°C TO 70°C.
- WAVE SOLDERING TEMPERATURE:230~250°(3~5 SECONDS)  
 MATES WITH MODULAR PLUG CONFORMING TO  
 FCC PART 68, SUBPART F.

PART NUMBER: E 5J 8 8 - 0 0 L 0 X X-L

TYPE: \_\_\_\_\_ PLATING: 1-3u"  
 G-STAMPED PIN 2-6u"  
 H-ROUND PIN 3-15u"  
 4-30u"  
 5-50u"

DETACHED LISTS	MM (INCH)		DFTO Joke	DATE 05/10/05'	FULL RISE ELECTRONIC CO., LTD	
	TOLERANCES EXCEPT AS NOTED		CHKDSAMMY	DATE 2005/5/10		
	MM	±	MFO	DATE	TITLE LED JACK UTP W/O LED	
	.0 ± 0.20	±	APPVLLUSHENG	DATE 2005/5/10		
.00 ± 0.15	±	MATERIAL :		DRAWING NO. GE5J3A16_LC		
.000 ± 0.075	±	ANGLES ±		/PART NO. SEE NOTE		
THIRD ANGLE PROJECTION		FINISH :		DO NOT SCALE DRAWING		
		SCALE : 4:1		SHEET 1 OF 1		