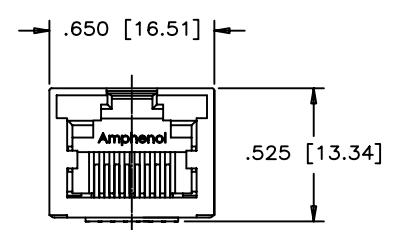
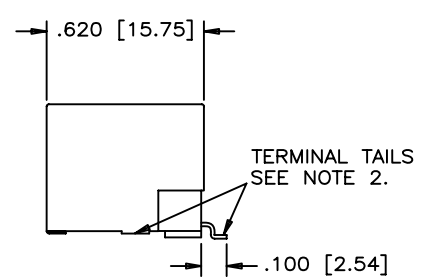


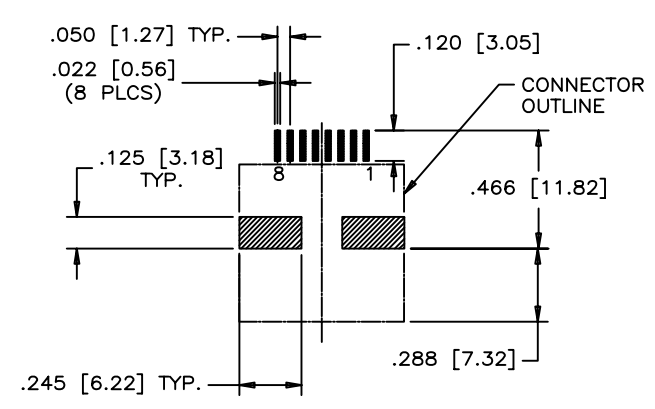
REVISIONS				
SYM	ZONE	ECN, ERN NO.	DATE	APPRD.
A		PROPOSAL	AUG12/08	LCHAN
B		PROPOSAL	NOV 3/08	LCHAN



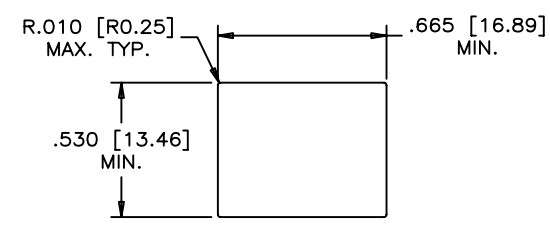
FRONT VIEW



SIDE VIEW



RECOMMENDED P.C.B. LAYOUT  
(COMPONENT SIDE OF BOARD)



RECOMMENDED PANEL CUTOUT

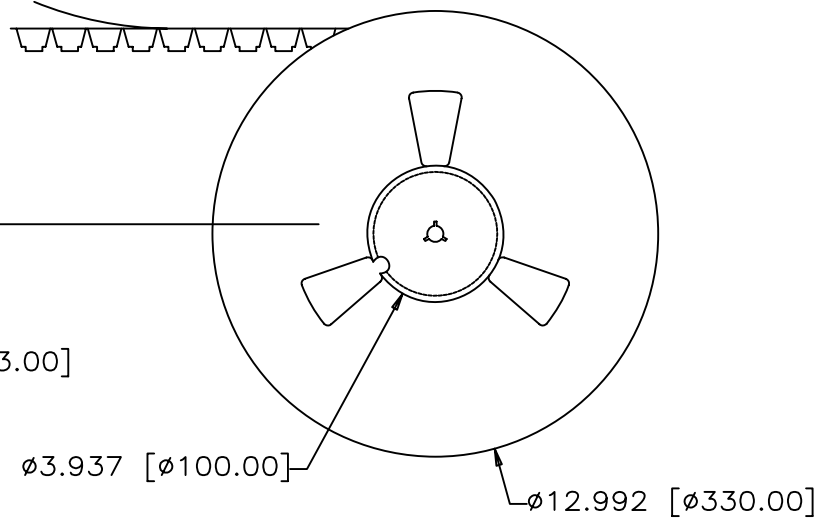
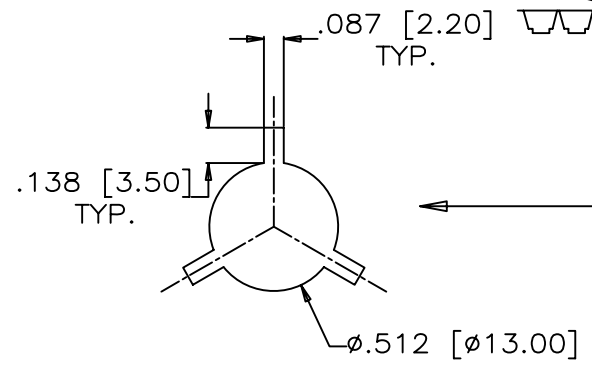
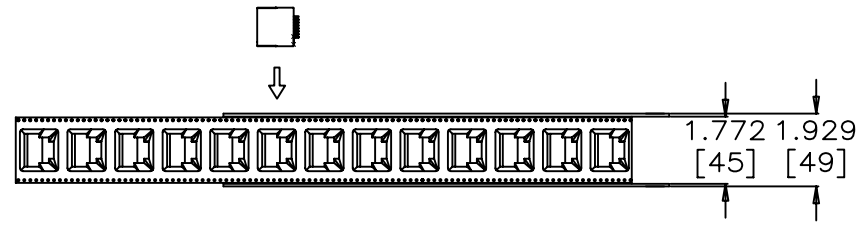
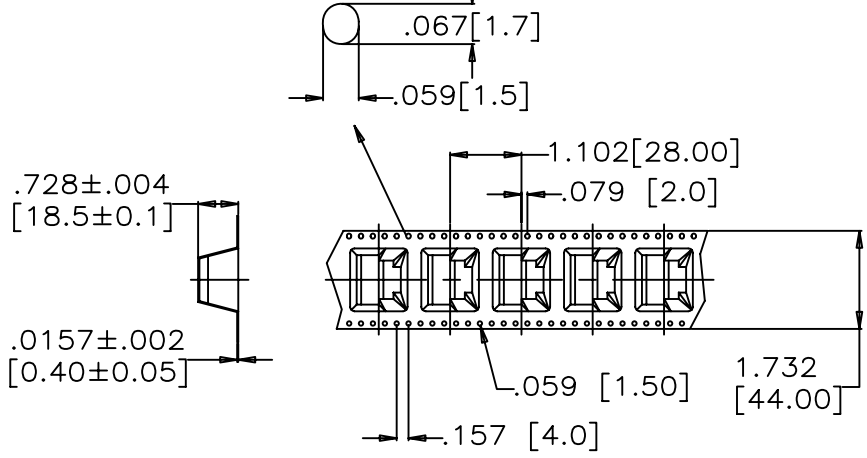
- NOTES :
- MATERIALS:
    - HOUSING: HIGH TEMPERATURE THERMOPLASTIC  
FLAMMABILITY RATING UL 94V-0  
COLOR: BLACK
    - CONTACTS: PHOSPHOR BRONZE  
PLATING: 20 μ" [0.508 MICRONS]  
MIN. GOLD ON MATING SURFACES.  
50 μ" [1.27 MICRONS]  
MIN. NICKEL UNDERPLATE  
100 μ" [2.54 MICRONS]  
MIN. MATTE TIN OR GOLD FLASH  
ON CONTACT TAILS.
    - SHIELD: COPPER ALLOY  
PLATING: NICKEL UNDERPLATE, MATTE TIN ON SURFACE.
  - COPLANARITY SPECIFICATION:  
WITH THE MODULAR JACK SITTING ON A LEVEL SURFACE,  
THE MAXIMUM GAP BETWEEN SHIELD TAIL AND ALL TERMINAL  
TAILS IS .004 [0.10].
- SUITABLE FOR SOLDERING IN ACCORDANCE JEDEC-020C STANDARD.

AMPHENOL PART NUMBER: RJSSE-5F80-01T

DRAWN	J.OUYANG	DATE	AUG 12/08	Amphenol Canada Corp.	
DESIGNED	MT.CHAN	DATE	AUG 12/08		
CHECKED	L.CHAN	DATE	AUG 12/08	TITLE SINGLE PORT, SURFACE MOUNT, RJ45 MODULAR JACK, 8 POSITION, 8 CONTACTS, SHIELDED, NO SIDE & TOP TABS, WITHOUT LEDs--RoHS COMPLIANT	
I. E. APPRD.					
Q. A. APPRD.					
DWG. APPRD.					
ENG. REL. NO.		DWG	DRAWING NO.	P-RJSSE-5F80-01T	
REF.	EAR #13321				
DIMENSIONS ARE IN	INCHES [mm]	CODE ID. NO.	03554	REV.	B
SCALE		WT.		SURF.	
					SHEET 1 OF 2

THIS DOCUMENT CONTAINS PROPRIETARY INFORMATION AND SUCH INFORMATION MAY NOT BE DISCLOSED TO OTHERS FOR ANY PURPOSE OR USED FOR MANUFACTURING PURPOSES WITHOUT WRITTEN PERMISSION FROM AMPHENOL CANADA CORP.

REVISIONS				
SYM	ZONE	ECN, ERN NO.	DATE	APPRD.
A		PROPOSAL	AUG12/08	L.CHAN
B		PROPOSAL	NOV 3/08	L.CHAN



PACKAGING NOTES:

1. ONE REEL SHOULD HOLD 130 CONNECTORS.
2. 10 EMPTY CAVITIES FOR BOTH TOP AND BOTTOM OF THE CARRIER.
3. A FULLY LOADED CARTON SHOULD CONTAIN 5 REELS (650 PCS) OF CONNECTOR.

MATERIAL	DRAWN	J.OUYANG	DATE	AUG12/08	Amphenol Canada Corp.
	DESIGNED	MT.CHAN	DATE	AUG12/08	
FINISH	CHECKED	L.CHAN	DATE	AUG12/08	TITLE SINGLE PORT, SURFACE MOUNT, RJ45 MODULAR JACK, 8 POSITION, 8 CONTACTS, SHIELDED, NO SIDE & TOP TABS, WITHOUT LEDs--RoHS COMPLIANT
	I. E. APPRD.				
	Q. A. APPRD.				DWG. DRAWING NO. C P-RJSSE-5F80-01T
	DWG. APPRD.				
	ENG. REL. NO.				REV. B
	REF.	EAR #13321			
	DIMENSIONS ARE IN	INCHES [mm]	CODE ID. NO.	03554	SCALE
					WT. ----- SURF. ----- SHEET 2 OF 2

THIS DOCUMENT CONTAINS PROPRIETARY INFORMATION AND SUCH INFORMATION MAY NOT BE DISCLOSED TO OTHERS FOR ANY PURPOSE OR USED FOR MANUFACTURING PURPOSES WITHOUT WRITTEN PERMISSION FROM AMPHENOL CANADA CORP.