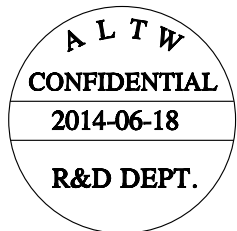
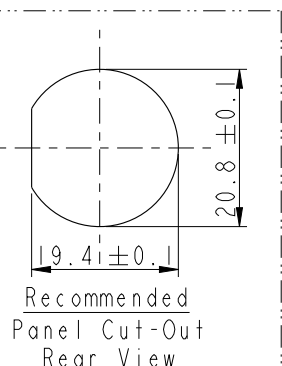
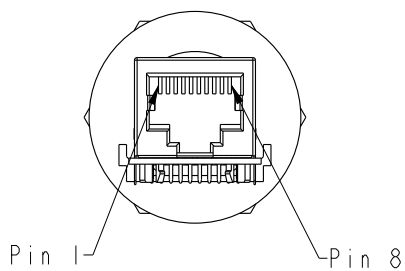
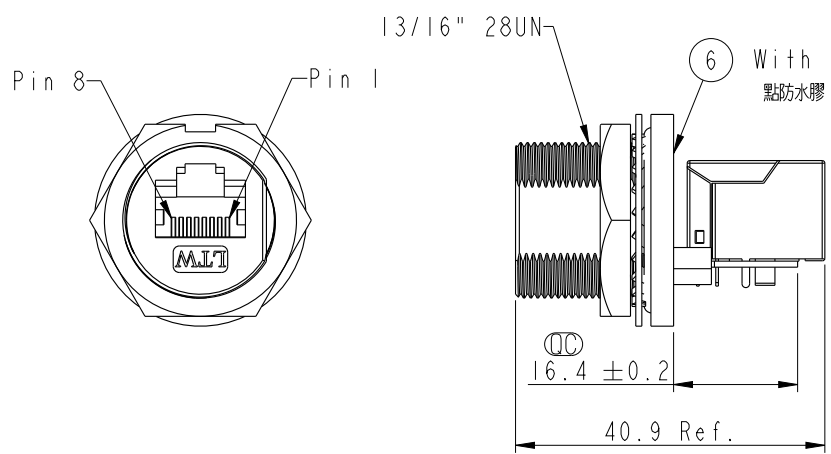
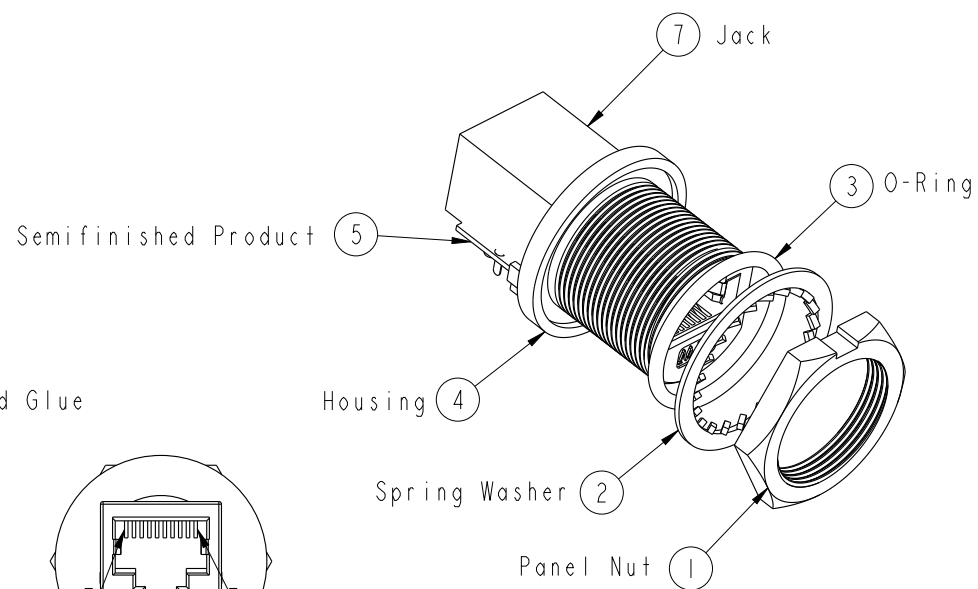
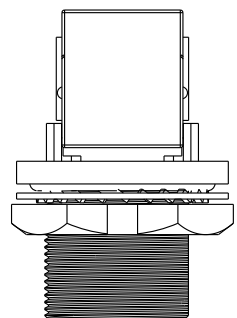


REV.	ECN NO.	DATE	SIGN	DESCRIPTION
B	LEN1460066	2014/06/18	Tom	Change Panel Thickness



- Note:
- * \varnothing Important Dimension
 - * Waterproof Rate: IP67 Unmated
 - * Panel Nut: Zinc Alloy, Nickel Plated
 - * Spring Washer: SUS304
 - * O-Ring: Silicone, Gray_Black
 - * Housing: Zinc Alloy, Nickel Plated
 - * Finish: Nickel Plated 120u" Min. Over Copper Plated 500u" Min.
 - $\triangle B$ * Use With Waterproof Cap Or Dust Cap For Panel Thickness Max: 3.0mm
 - $\triangle B$ * Use Without Waterproof Cap Or Dust Cap For Panel Thickness Max: 4.2mm
 - * Recommend Force: 8~10kg-cm

UNIT:mm TOLERANCE .X ±0.25 .XX ±0.1 .XXX ±0.05 ANGLES ±1°	TITLE RJ45,C SIZE, JACK 180SIDE UNMATED WATERPROOF		Amphenol LTW 安費諾亮泰企業股份有限公司		ITEM NO	DRAWN BY	DATE
	SCALE	SHEET			RCM-5SPFFH-SCU7001	Tom	2014-06-18
	REV.	WC-REV.	OF	RCM-5SPFFH-SCU7001	Jerry	2014-06-18	
			CUSTOMER	APPROVED BY	DATE		
			ALTW	Victor	2014-06-18		

THIS DOCUMENT IS SUBJECT TO CHANGE WITHOUT NOTICE. IT IS CONFIDENTIAL AND A PROPERTY OF Amphenol LTW. DISCLOSURE TO THIRD PARTY HAS TO BE AUTHORIZED BY Amphenol LTW.