

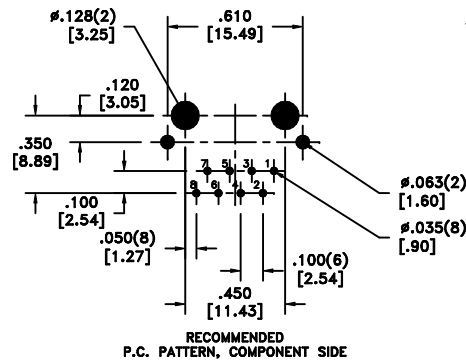
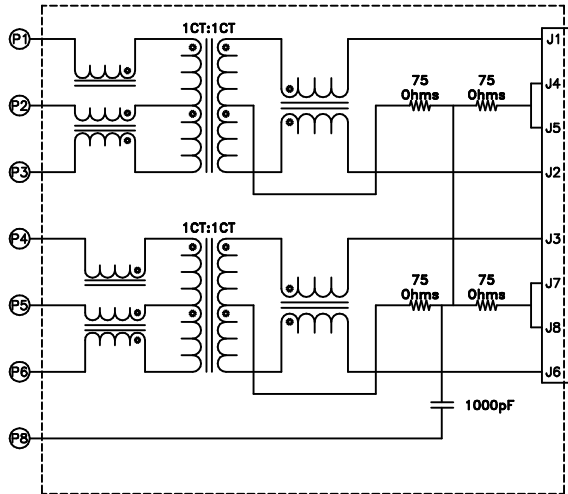
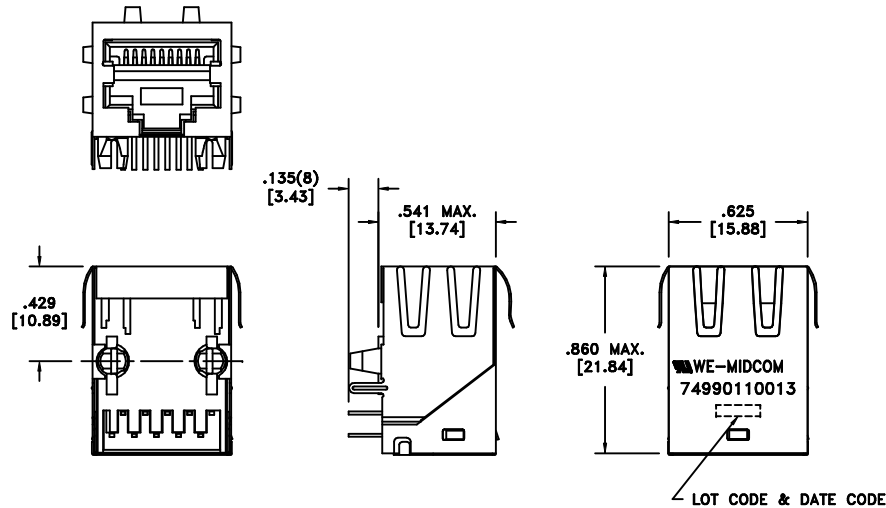
CUSTOMER TERMINAL	RoHS	LEAD(Pb)-FREE
Sn100%	Yes	Yes

more than you expect



ELECTRICAL SPECIFICATIONS @ 25°C unless otherwise noted:

PARAMETER	TEST CONDITIONS	VALUE
INDUCTANCE	J1-J2 100kHz, 100mVAC, 8mADC, Lp	350uH min.
INDUCTANCE	J3-J6 100kHz, 100mVAC, 8mADC, Lp	350uH min.
DIELECTRIC	P1-J1 tie(P3+P4)	1500Vrms, 1 minute
TURNS RATIO	(P1-P3):(J1-J2)	1:1, ±2%
TURNS RATIO	(P4-P6):(J3-J6)	1:1, ±2%
INSERTION LOSS	1M - 100MHz	-1.0dB max.
RETURN LOSS	1M - 30MHz	-18dB min.
RETURN LOSS	30M - 45MHz	-16dB min.
RETURN LOSS	45M - 80MHz	-14dB min.
RETURN LOSS	60M - 80MHz	-12dB min.
CROSSTALK	1M - 100MHz	-35dB min.
COMMON MODE REJECTION	1M - 100MHz	-35dB min.
COMMON MODE REJECTION	100M - 500MHz	-25dB min.



GENERAL SPECIFICATIONS:
 OPERATING TEMPERATURE RANGE: 0°C to +70°C.

AGENCY NUMBER
UL60950-1 E205930

REV.	DATE	Packaging Specifications	CONVENTION PLACEMENT
		Method: Tube PKG-0524 www.we-online.com/midcom	
6B	4/12		
6A	9/08	SEE REVISION SHEET FOR REVISION LEVEL	

Tolerances unless otherwise specified:
 Angles: ±1°
 Decimals: ±.005 [.13]
 Fractions: ±1/64
 Footprint: ±.010 [.25]

This drawing is dual dimensioned. Dimensions in brackets are in millimeters.

DRAWING TITLE
TRANSFORMER
 RJ45-T8

eiSos p/n: 74990110013

PART NO.
74990110013
SPECIFICATION SHEET 1 OF 1