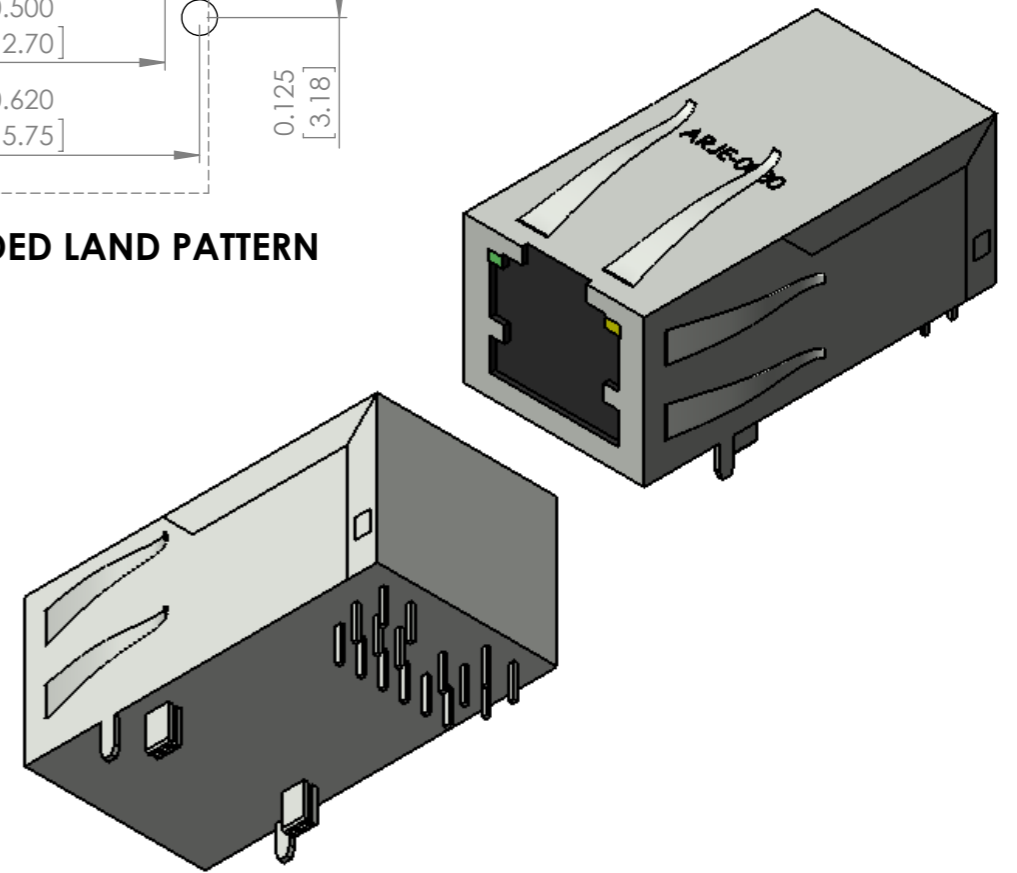
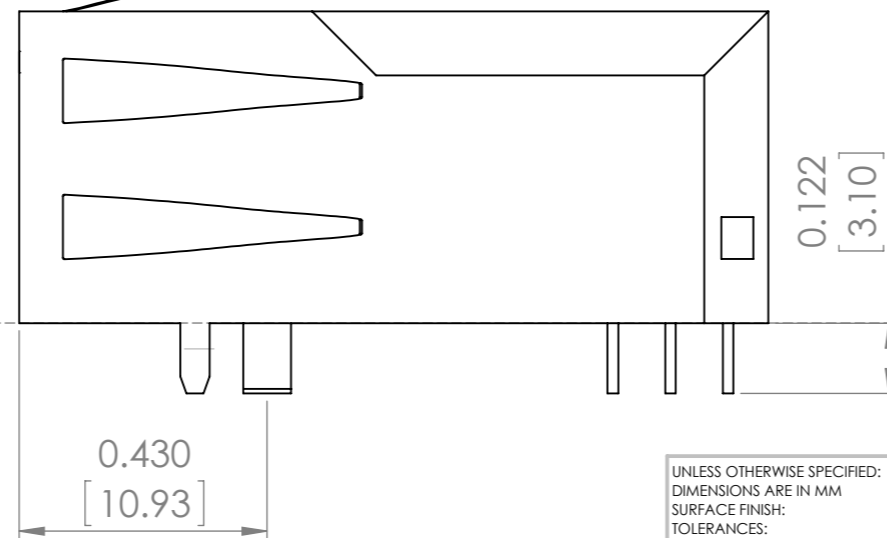
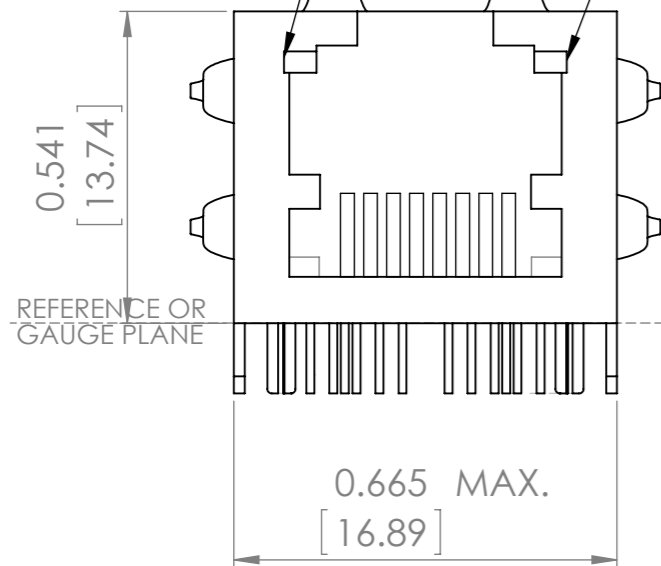



RECOMMENDED LAND PATTERN

LED (GREEN/ORANGE)

LED (YELLOW)

Chip side
Cable side



UNLESS OTHERWISE SPECIFIED: DIMENSIONS ARE IN MM SURFACE FINISH: TOLERANCES: LINEAR: ANGULAR:				FINISH:		DEBUR AND BREAK SHARP EDGES		DO NOT SCALE DRAWING		REVISION	
DRAWN SAAZVAT				SIGNATURE		DATE		 30332 Esperanza, Rancho Santa margarita, California 92688			
CHK'D XXXXXX								TITLE: RJ45			
APP'V'D								DWG NO. ARJE-0030			
MFG								SCALE:3:1			
Q.A						MATERIAL:		SHEET 1 OF 1			
						WEIGHT:		A3			