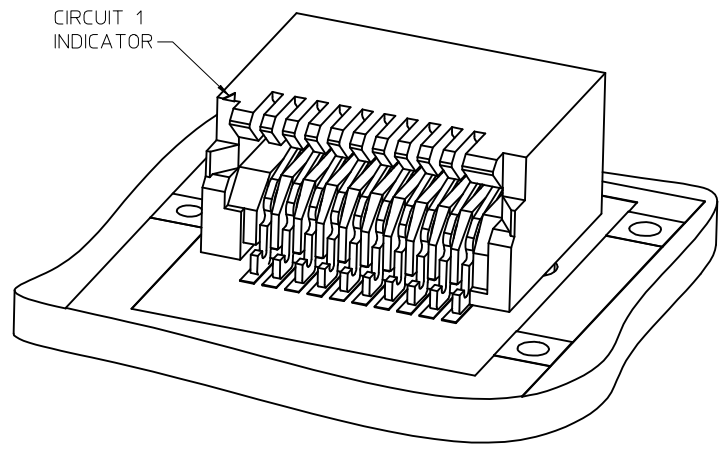


CKT SIZE	PART NUMBER	TOOLED	DESCRIPTION	"A"	"B"	"C"	"D"	MULTI-SOURCE AGREEMENT	CONNECTOR DRAWING	CIRCUIT BOARD DRAWING
20	74441-0001	YES	PLATED PER NOTE 2	1.10/.043	11.00/.433	9.40/.370	9.60/.378	SFP	PAGE 2	PAGE 3
	74441-0004	NO*	PLATED PER NOTE 2	0.76/.030						
	74441-0010	YES	PLATED PER NOTE 3	1.10/.043						
	74441-0014	NO*	PLATED PER NOTE 3	0.76/.030						
	74441-0021	YES	PLATED PER NOTE 4	1.10/.043						
	74441-0031	YES	PLATED PER NOTE 5	1.10/.043						
30	74441-0007	YES	PLATED PER NOTE 2	1.10/.043	15.00/.591	13.40/.528	13.60/.535	XFP	PAGE 2	PAGE 4
	74441-0017	YES	PLATED PER NOTE 3	1.10/.043						
	74441-0027	YES	PLATED PER NOTE 4	1.10/.043						
40	74441-0005	YES	PLATED PER NOTE 2	1.10/.043	19.00/.748	17.40/.685	17.60/.693		PAGE 2	PAGE 5
	74441-0015	YES	PLATED PER NOTE 3	1.10/.043						
	74441-0025	YES	PLATED PER NOTE 4	1.10/.043						
50	74441-0008	YES	PLATED PER NOTE 2	1.10/.043	23.00/.906	21.40/.843	21.60/.850		PAGE 2	PAGE 6
	74441-0018	YES	PLATED PER NOTE 3	1.10/.043						
	74441-0028	YES	PLATED PER NOTE 4	1.10/.043						
	74441-0038	YES	PLATED PER NOTE 5	1.10/.043						
70	74441-0003	YES	PLATED PER NOTE 2	1.10/.043	31.00/1.220	29.40/1.157	29.60/1.165	XENPAK XPAK X2	PAGE 2	PAGE 7
	74441-0013	YES	PLATED PER NOTE 3	1.10/.043						
	74441-0023	YES	PLATED PER NOTE 4	1.10/.043						
	74441-0033	YES	PLATED PER NOTE 5	1.10/.043						

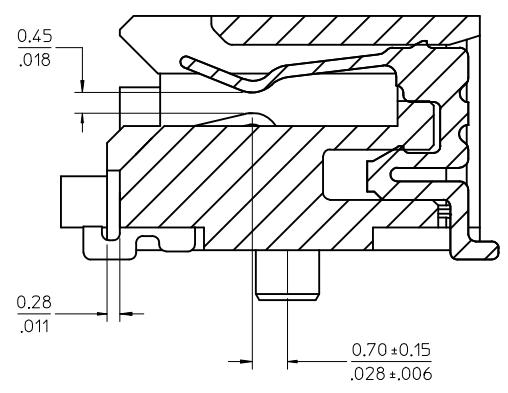
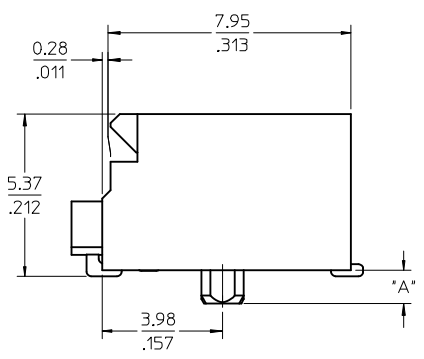
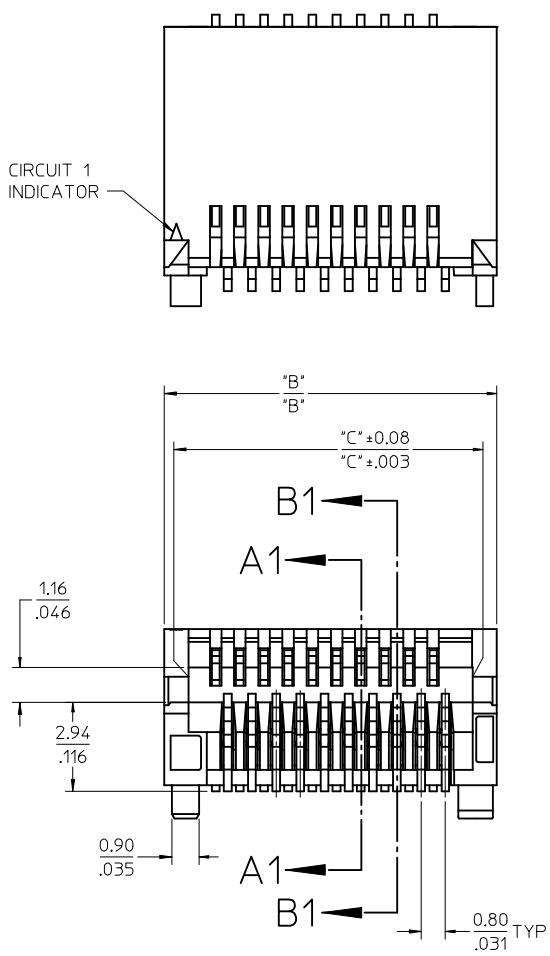
NOTES

- MATERIAL:**
HOUSING - HIGH TEMPERATURE THERMOPLASTIC GLASS FILLED, UL 94V-0, BLACK
TERMINALS - COPPER ALLOY
- PLATING (SEE TABLE):**
CONTACT AREA - 0.38 MICROMETER MINIMUM GOLD OVER NICKEL
SOLDER FOOT AREA - 2.54 MICROMETER MINIMUM TIN OVER NICKEL
- PLATING (SEE TABLE):**
CONTACT AREA - 0.76 MICROMETER MINIMUM GOLD OVER NICKEL
SOLDER AREA - 2.54 MICROMETER MINIMUM TIN OVER NICKEL
- PLATING (SEE TABLE):**
CONTACT AREA - 0.76 MICROMETER MINIMUM GOLD OVER NICKEL, LUBRICATED
SOLDER AREA: GOLD FLASH OVER NICKEL
- PLATING (SEE TABLE):**
CONTACT AREA - 0.76 MICROMETER MINIMUM GOLD OVER 2.54 NICKEL
SOLDER AREA: GOLD FLASH OVER NICKEL.
- PLATING (SEE TABLE):**
CONTACT AREA - 0.38 MICROMETER MINIMUM GOLD OVER NICKEL,
SOLDER AREA: GOLD FLASH OVER NICKEL.
- SOLDER FEET COPLANAR WITHIN 0.10/0.04 FOR 20, 30 AND 40 CIRCUIT CONNECTORS,
WITHIN 0.15/0.06 FOR 50 AND 70 CIRCUIT CONNECTORS**
- * CONTACT PLANT FOR MORE INFORMATION**
- DATE CODE: 4 DIGIT (3 DIGIT DAY, 1 DIGIT YEAR)**
- THE CIRCUIT 1 INDICATOR MAY VARY IN SIZE AND APPEARANCE.**

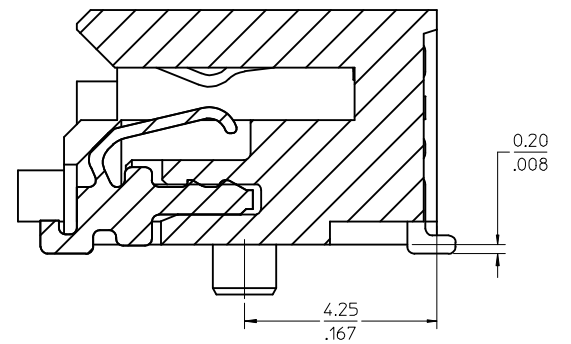


CLARIFY NOTE 10 EC NO: UCP2013-3493 DRW: MBARKER 2013/02/18 CHKD: APPR: MBANAKIS 2013/04/09	QUALITY SYMBOLS	GENERAL TOLERANCES (UNLESS SPECIFIED)	DIMENSION STYLE	SCALE	DESIGN UNITS	THIRD ANGLE PROJECTION
	▽=0	mm INCH	MM/IN	1:1	METRIC	
	▽=0	4 PLACES ± --- ± ---	DRAWN BY DATE	SALES ASSEMBLY		
	▽=0	3 PLACES ± --- ± ---	HAVERY 00/04/06	Z AXIS PLUGGABLE		
	▽=0	2 PLACES ± 0.13 ± .005	CHECKED BY DATE	PCB CONNECTOR		
	1 PLACE ± 0.25 ± .010	KSWEENEY 00/04/06	molex DOCUMENT NO. SD-74441-001			
	0 PLACE ± ±	APPROVED BY DATE				
	ANGULAR ±1/2°	MBANAKIS 00/04/06	SHEET NO. 1 OF 7			
	DRAFT WHERE APPLICABLE MUST REMAIN WITHIN DIMENSIONS	MATERIAL NO.	THIS DRAWING CONTAINS INFORMATION THAT IS PROPRIETARY TO MOLEX INCORPORATED AND SHOULD NOT BE USED WITHOUT WRITTEN PERMISSION			

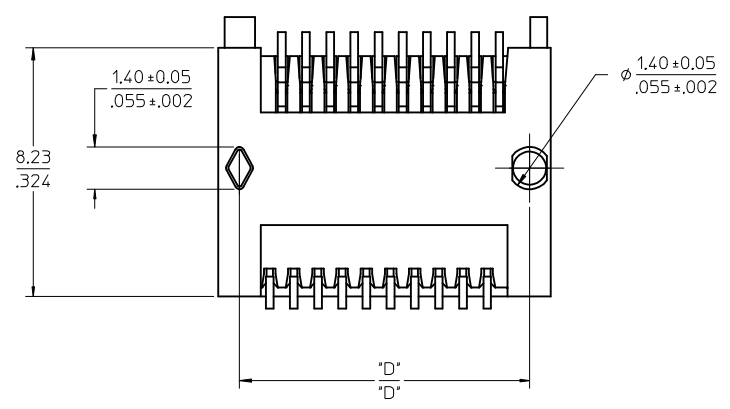
CIRCUIT 1 INDICATOR



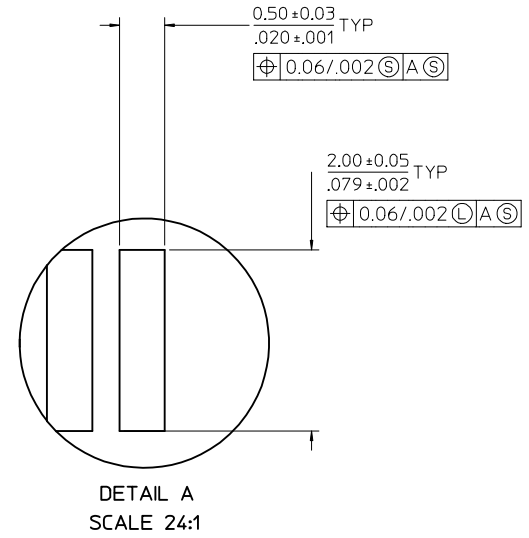
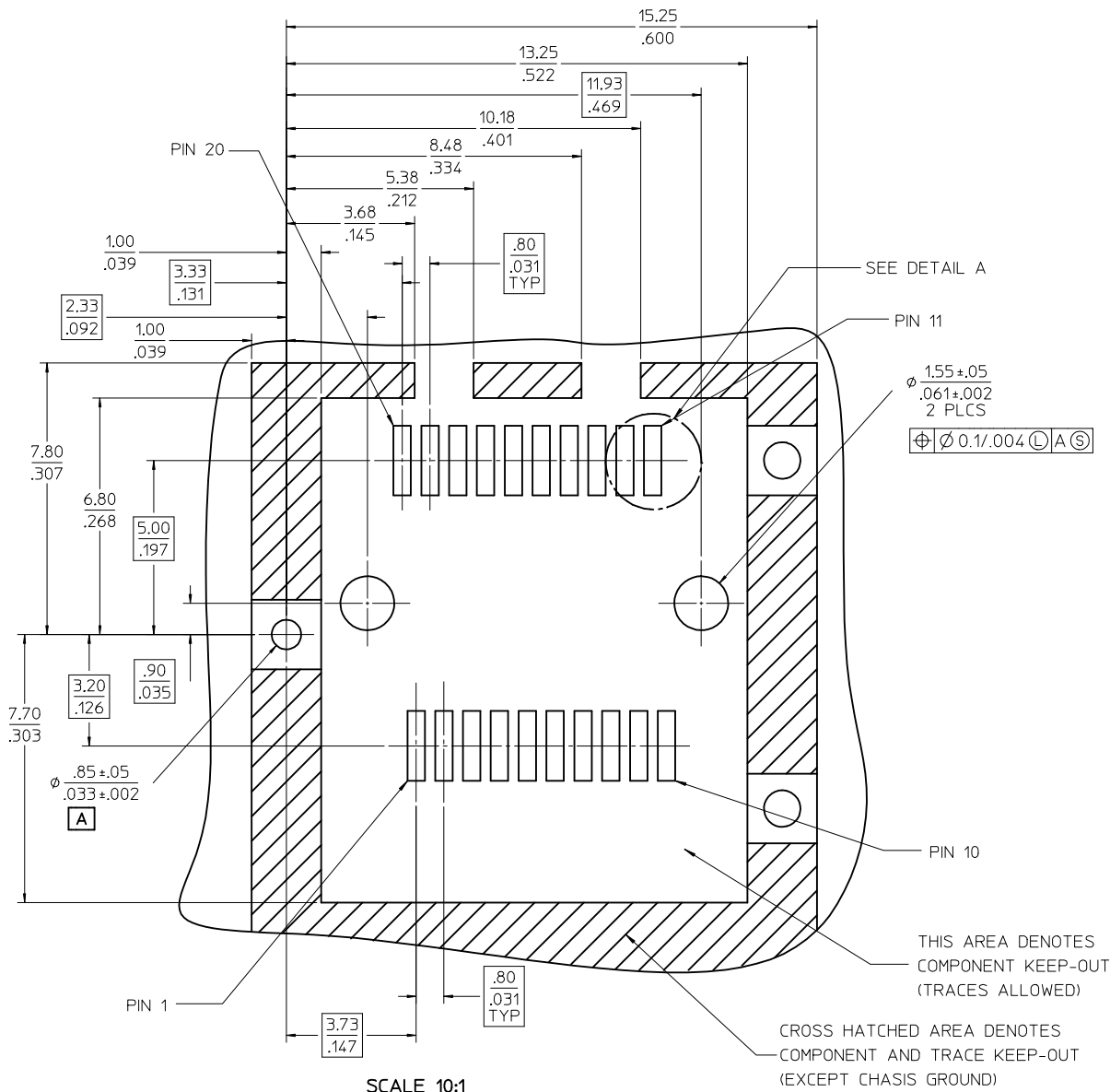
SECTION A1-A1
SCALE 12:1



SECTION B1-B1
SCALE 12:1



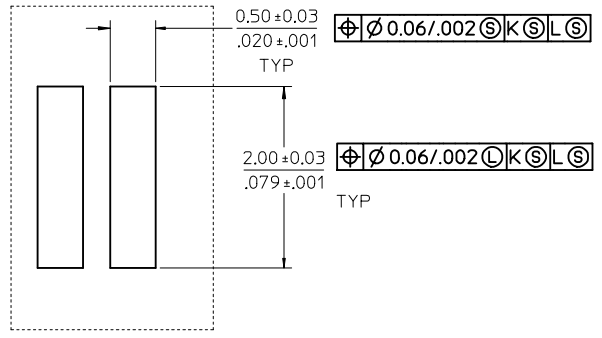
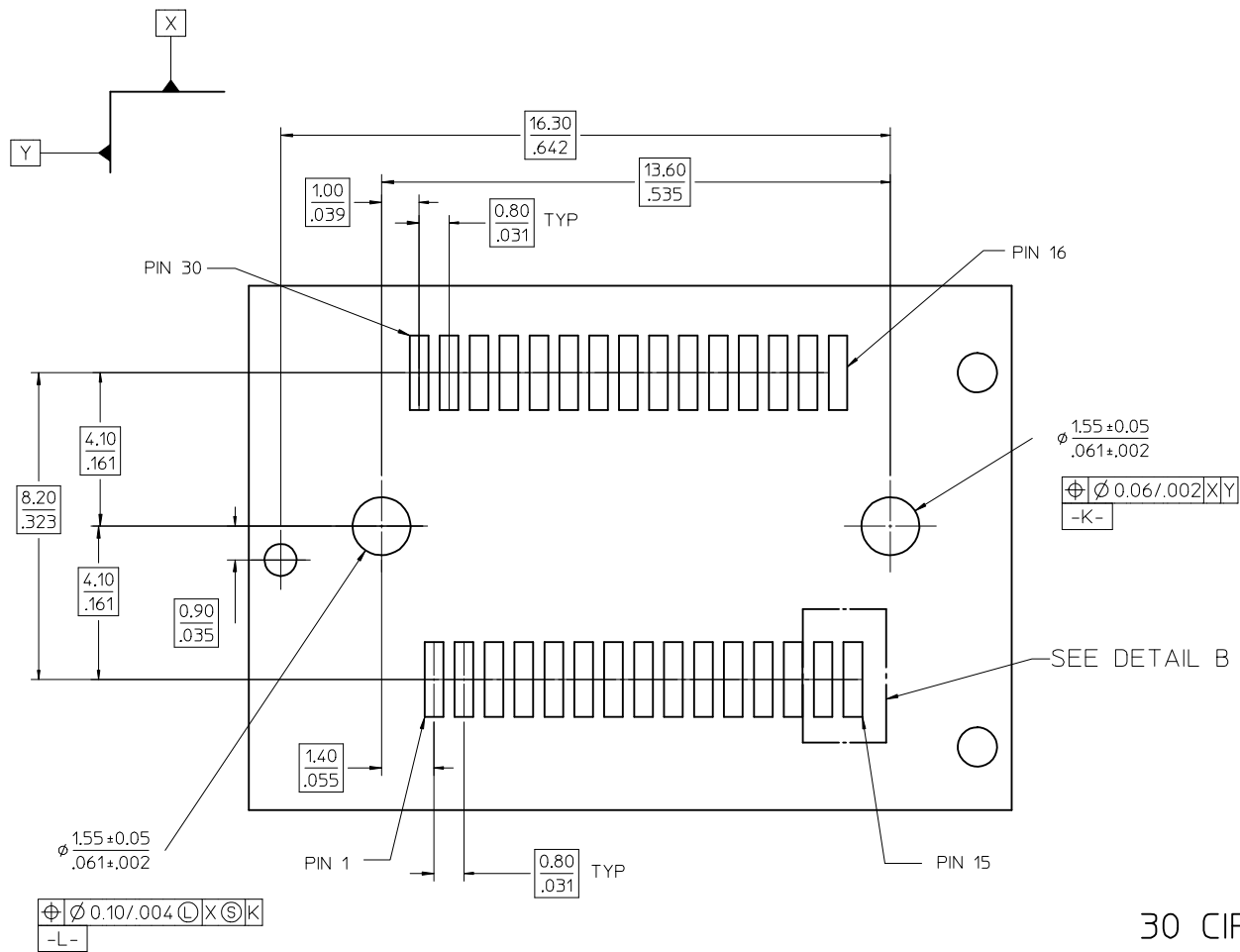
SEE SHEET 1 EC NO: UCP2013-3493 DRW:MBARKER 2013/02/18 CHKD: APPR:MBANAKIS 2013/04/09	QUALITY SYMBOLS ∇=0 ∇=0 ∇=0	GENERAL TOLERANCES (UNLESS SPECIFIED)		DIMENSION STYLE MM/IN		SCALE 6:1	DESIGN UNITS METRIC	THIRD ANGLE PROJECTION	
		4 PLACES ± --- ± --- 3 PLACES ± --- ± --- 2 PLACES ± 0.13 ± .005 1 PLACE ± 0.25 ± .010 0 PLACE ± ±	mm INCH ± --- ± --- ± 0.13 ± .005 ± 0.25 ± .010 ± ±	DRAWN BY HAVERY DATE 00/04/06	CHECKED BY KSWEENEY DATE 00/04/06	TITLE SALES ASSEMBLY Z AXIS PLUGGABLE PCB CONNECTOR		DOCUMENT NO. SD-74441-001	
DRAFT WHERE APPLICABLE MUST REMAIN WITHIN DIMENSIONS		ANGULAR ±1/2°		MATERIAL NO. SEE TBL, SHT 1		THIS DRAWING CONTAINS INFORMATION THAT IS PROPRIETARY TO MOLEX INCORPORATED AND SHOULD NOT BE USED WITHOUT WRITTEN PERMISSION			



20 CIRCUIT MOTHER BOARD
RECOMMENDED PCB LAYOUT

SCALE 10:1

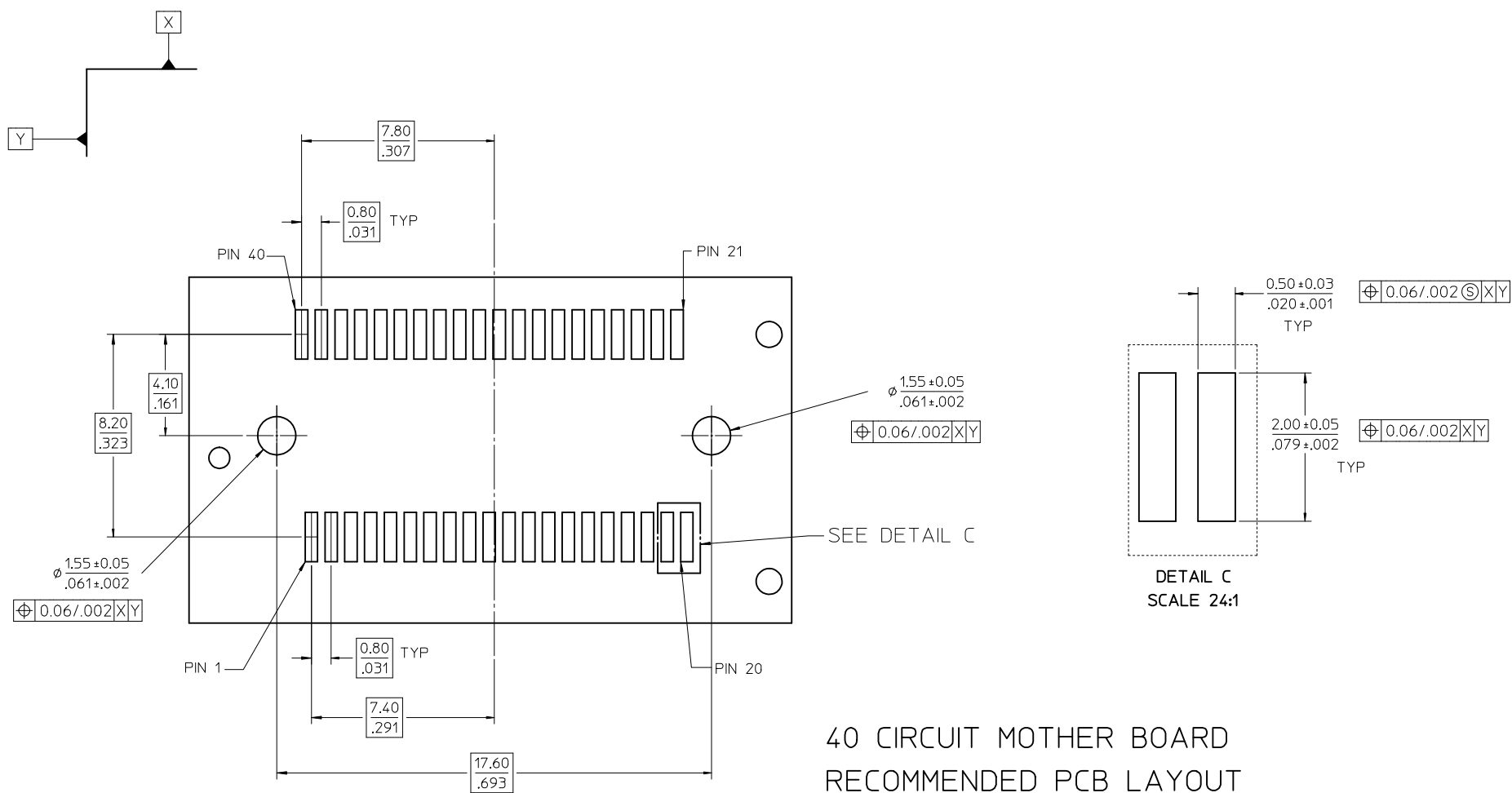
SEE SHEET 1 EC NO: UCP2013-3493 DRWN:BBARKER 2013/02/18 CHKD: APPR:MBANAKIS 2013/04/09	QUALITY SYMBOLS	GENERAL TOLERANCES (UNLESS SPECIFIED)	DIMENSION STYLE	SCALE	DESIGN UNITS	THIRD ANGLE PROJECTION
	▽=0	mm INCH	MM/IN	8:1	METRIC	
	▽=0	4 PLACES ± --- ± ---	DRAWN BY DATE	TITLE	SALES ASSEMBLY Z AXIS PLUGGABLE PCB CONNECTOR	
	▽=0	3 PLACES ± --- ± ---	HAVERY 00/04/06	CHECKED BY DATE	molex	
		2 PLACES ±.13 ±.005	APPROVED BY DATE	DOCUMENT NO.	SD-74441-001	
		1 PLACE ±.25 ±.010	MBANAKIS 00/04/06	SHEET NO.	3 OF 7	
		0 PLACE ± ±		THIS DRAWING CONTAINS INFORMATION THAT IS PROPRIETARY TO MOLEX INCORPORATED AND SHOULD NOT BE USED WITHOUT WRITTEN PERMISSION		



DETAIL B
SCALE 24:1

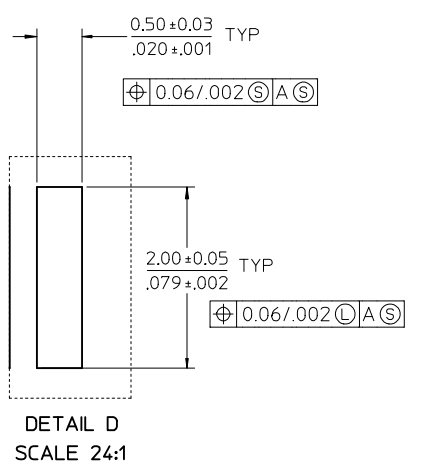
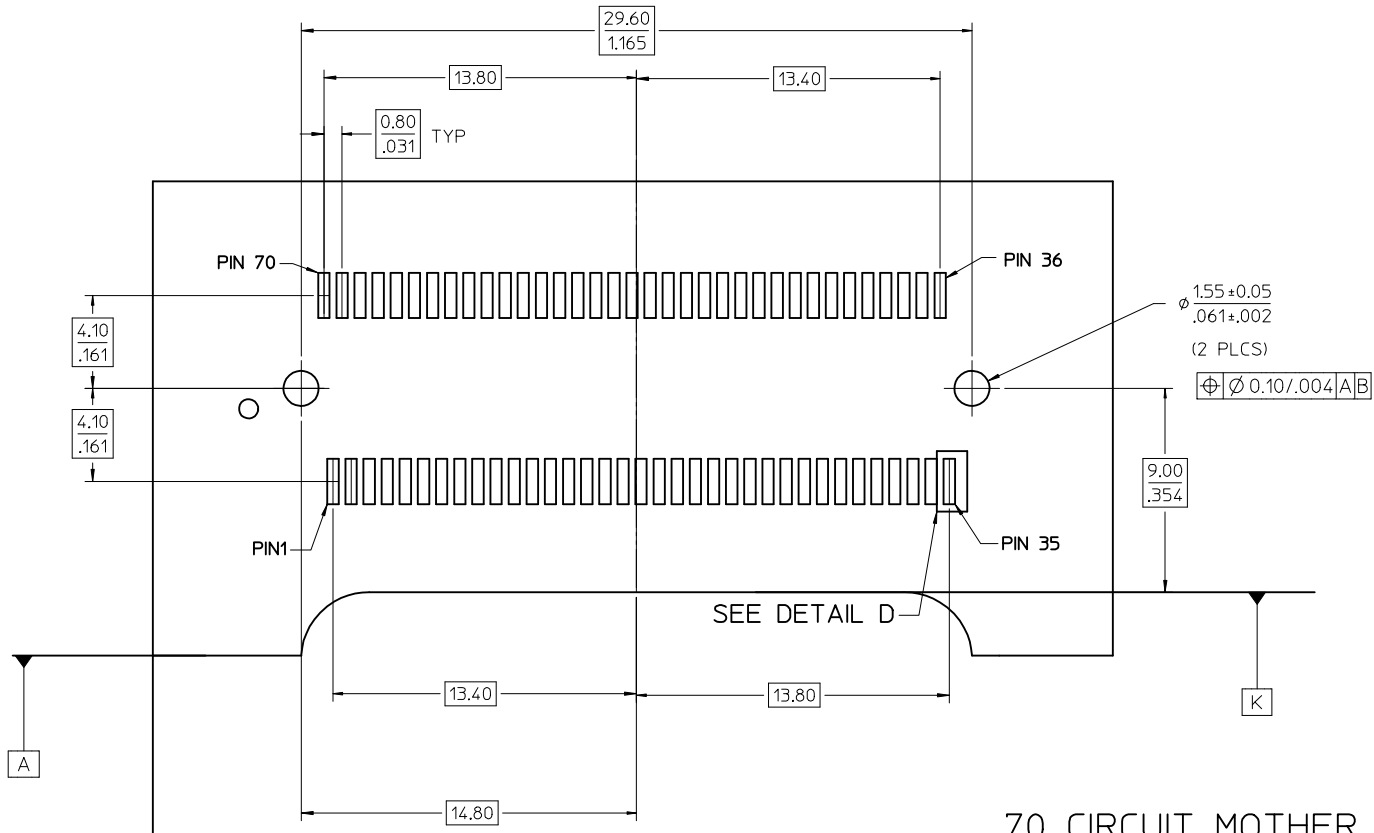
30 CIRCUIT MOTHER BOARD
RECOMMENDED PCB LAYOUT

SEE SHEET 1 EC NO: UCP2013-3493 DRWN:BBARKER 2013/02/18 CHKD: APPR:MBANAK IS 2013/04/09	QUALITY SYMBOLS	GENERAL TOLERANCES (UNLESS SPECIFIED)		DIMENSION STYLE		SCALE	DESIGN UNITS	THIRD ANGLE PROJECTION	
	▽=0	mm	INCH	MM/IN		6:1	METRIC	SALES ASSEMBLY Z AXIS PLUGGABLE PCB CONNECTOR molex DOCUMENT NO. SD-74441-001 SHEET NO. 4 OF 7	
	▽=0	4 PLACES ± --- ± ---	± --- ± ---	DRAWN BY	DATE	TITTLE	METRIC		
	▽=0	3 PLACES ± --- ± ---	± --- ± ---	HAVERY	00/04/06				
▽=0	2 PLACES ± 0.13 ± .005	± .005	CHECKED BY	DATE	KSWEENEY	00/04/06			
		1 PLACE ± 0.25 ± .010	± .010	APPROVED BY	DATE				
		0 PLACE ± ±	±	MBANAK IS	00/04/06				
		ANGULAR ±1/2°		MATERIAL NO.	SEE TBL, SHT 1				
		DRAFT WHERE APPLICABLE MUST REMAIN WITHIN DIMENSIONS		SIZE	C		THIS DRAWING CONTAINS INFORMATION THAT IS PROPRIETARY TO MOLEX INCORPORATED AND SHOULD NOT BE USED WITHOUT WRITTEN PERMISSION		



40 CIRCUIT MOTHER BOARD
RECOMMENDED PCB LAYOUT

SEE SHEET 1 EC NO: UCP2013-3493 DRWN:BBARKER 2013/02/18 CHKD: APPR:MBANAKIS 2013/04/09	QUALITY SYMBOLS ▽=0 ▽=0 ▽=0	GENERAL TOLERANCES (UNLESS SPECIFIED) <table border="1"> <thead> <tr> <th></th> <th>mm</th> <th>INCH</th> </tr> </thead> <tbody> <tr> <td>4 PLACES</td> <td>± .---</td> <td>± .---</td> </tr> <tr> <td>3 PLACES</td> <td>± .---</td> <td>± .---</td> </tr> <tr> <td>2 PLACES</td> <td>± 0.13</td> <td>± .005</td> </tr> <tr> <td>1 PLACE</td> <td>± 0.25</td> <td>± .010</td> </tr> <tr> <td>0 PLACE</td> <td>±</td> <td>±</td> </tr> </tbody> </table>		mm	INCH	4 PLACES	± .---	± .---	3 PLACES	± .---	± .---	2 PLACES	± 0.13	± .005	1 PLACE	± 0.25	± .010	0 PLACE	±	±	DIMENSION STYLE MM/IN DRAWN BY: HAVERY DATE: 00/04/06 CHECKED BY: KSWEENEY DATE: 00/04/06 APPROVED BY: MBANAKIS DATE: 00/04/06	SCALE 6:1 TITLE: SALES ASSEMBLY Z AXIS PLUGGABLE PCB CONNECTOR	DESIGN UNITS METRIC THIRD ANGLE PROJECTION	MATERIAL NO. SEE TBL, SHT 1	DOCUMENT NO. SD-74441-001	SHEET NO. 5 OF 7
		mm	INCH																							
	4 PLACES	± .---	± .---																							
	3 PLACES	± .---	± .---																							
2 PLACES	± 0.13	± .005																								
1 PLACE	± 0.25	± .010																								
0 PLACE	±	±																								
DRAFT WHERE APPLICABLE MUST REMAIN WITHIN DIMENSIONS	ANGULAR ±1/2°	SIZE 	THIS DRAWING CONTAINS INFORMATION THAT IS PROPRIETARY TO MOLEX INCORPORATED AND SHOULD NOT BE USED WITHOUT WRITTEN PERMISSION																							



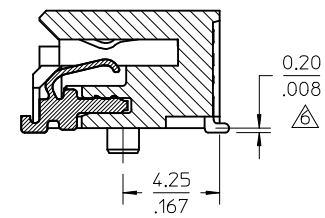
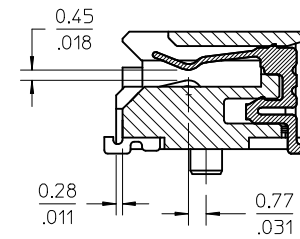
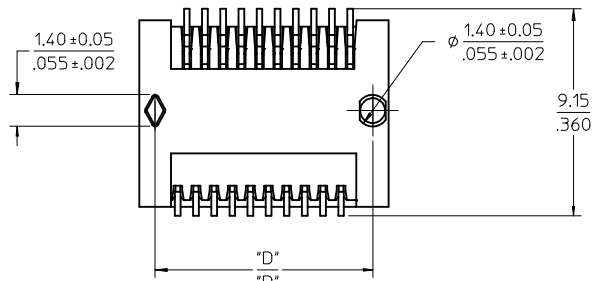
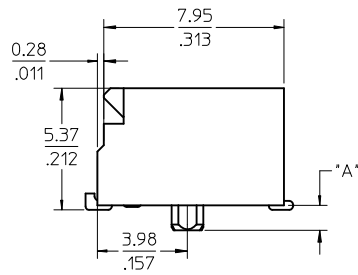
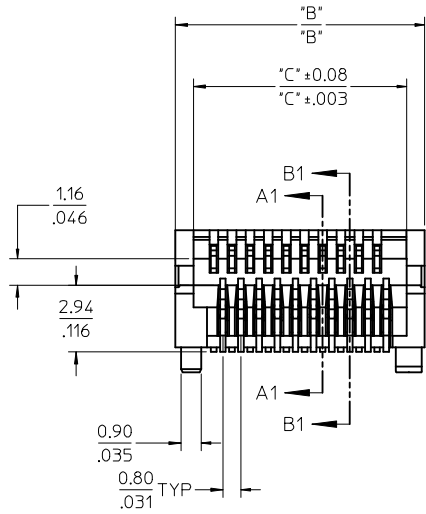
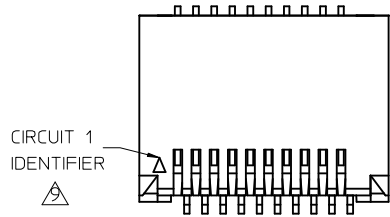
70 CIRCUIT MOTHER BOARD
RECOMMENDED PCB LAYOUT

SEE SHEET 1 EC NO: UCP2013-3493 DRAWN: BBARKER 2013/02/18 CHKD: APPR: MBANAKIS 2013/04/09 REVISIONS:	QUALITY SYMBOLS	GENERAL TOLERANCES (UNLESS SPECIFIED)	DIMENSION STYLE	SCALE	DESIGN UNITS	THIRD ANGLE PROJECTION
	▽=0	mm INCH	MM/IN	6:1	METRIC	
	▽=0	4 PLACES ± --- ± ---	DRAWN BY DATE			
	▽=0	3 PLACES ± --- ± ---	HAVERY 00/04/06			
	▽=0	2 PLACES ± 0.13 ± .005	CHECKED BY DATE			
	1 PLACE ± 0.25 ± .010	KSWEENEY 00/04/06				
	0 PLACE ± ±	APPROVED BY DATE				
	ANGULAR ±1/2°	MBANAKIS 00/04/06				
	DRAFT WHERE APPLICABLE MUST REMAIN WITHIN DIMENSIONS	MATERIAL NO.	SEE TBL, SHT 1	DOCUMENT NO.	SD-74441-001	SHEET NO. 7 OF 7
		SIZE	C	THIS DRAWING CONTAINS INFORMATION THAT IS PROPRIETARY TO MOLEX INCORPORATED AND SHOULD NOT BE USED WITHOUT WRITTEN PERMISSION		

CKT SIZE	PART NUMBER	DESCRIPTION	"A"	"B"	"C"	"D"
20	74441-9001	PLATED PER NOTE 2	1.10/.043	11.00/.433	9.40/.378	9.60/.378
20	74441-9010	PLATED PER NOTE 3	1.10/.043	11.00/.433	9.40/.378	9.60/.378
30	74441-9007	PLATED PER NOTE 2	1.10/.043	15.00/.591	13.40/.528	13.60/.535
40	74441-9005	PLATED PER NOTE 2	1.10/.043	19.00/.748	17.40/.685	17.60/.693
70	74441-9003	PLATED PER NOTE 2	1.10/.043	31.00/1.220	29.40/1.517	29.60/1.165

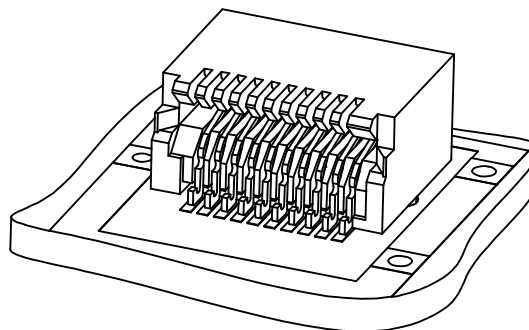
NOTES

- MATERIAL:
HOUSING - HIGH TEMPERATURE THERMOPLASTIC GLASS FILLED, UL 94V-0, BLACK
TERMINALS - COPPER ALLOY
 - PLATING:
CONTACT AREA - 0.38 μ m MIN GOLD OVER 2.54 μ m MIN NICKEL
SOLDER FOOT AREA - 2.54 - 5.09 μ m TIN OVER 2.54 μ m MIN NICKEL.
 - PLATING:
CONTACT AREA - 0.76 μ m MIN GOLD OVER 2.54 μ m NICKEL
SOLDER AREA - 2.54 - 5.09 μ m TIN OVER 2.54 μ m MIN NICKEL
 - PLATING:
CONTACT AREA - 0.76 μ m MIN GOLD OVER 2.54 μ m NICKEL, LUBRICATED
SOLDER AREA: GOLD FLASH OVER 2.54 μ m MIN NICKEL.
 - PLATING:
CONTACT AREA - 0.76 μ m MIN GOLD OVER 2.54 μ m NICKEL,
SOLDER AREA: GOLD FLASH OVER 2.54 μ m MIN NICKEL.
- ⚠ TERMINAL SOLDER FEET TO BE COPLANAR WITHIN 0.10/.004 FOR 20, 30 AND 40 CIRCUIT CONNECTORS
TERMINAL SOLDER FEET TO BE COPLANAR WITHIN 0.15/.006 FOR 70 CIRCUIT CONNECTOR
- * CONTACT PLANT FOR MORE INFORMATION
 - DATE CODE: 4 DIGIT (3 DIGIT DATE, 1 DIGIT YEAR)
 - ⚠ CIRCUIT 1 IDENTIFIER LOCATED ON ALL PART NUMBERS



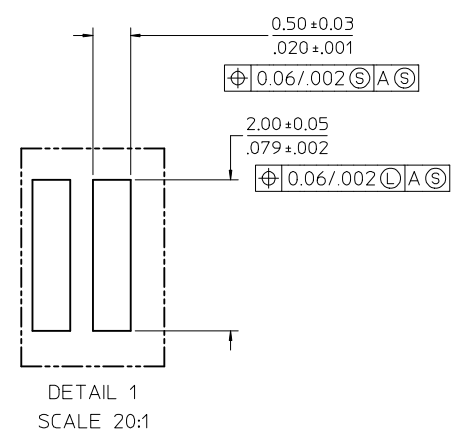
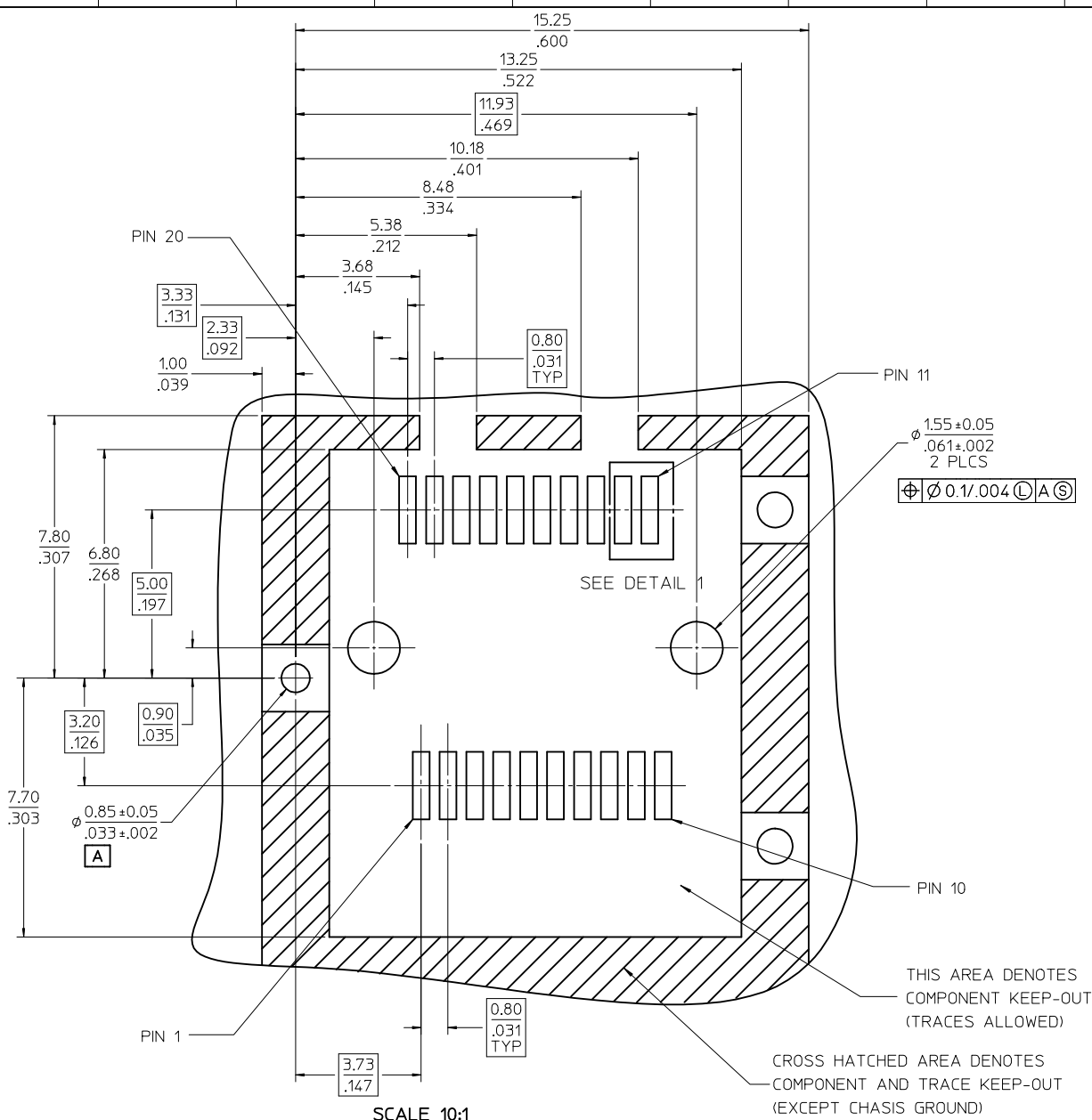
INITIAL RELEASE EC NO: UCP2010-0714 DRWN:MS IBARRA 2009/09/16 CHKD:BBARKER 2009/09/24 APPR:SMILLER 2009/09/24	DESCRIPTION REV	QUALITY SYMBOLS	GENERAL TOLERANCES (UNLESS SPECIFIED)	DIMENSION STYLE	SCALE	DESIGN UNITS	THIRD ANGLE PROJECTION													
		$\nabla = 0$ $\nabla = 0$ $\nabla = 0$	<table border="1"> <thead> <tr> <th></th> <th>mm</th> <th>INCH</th> </tr> </thead> <tbody> <tr> <td>4 PLACES</td> <td>± ---</td> <td>± ---</td> </tr> <tr> <td>3 PLACES</td> <td>± ---</td> <td>± ---</td> </tr> <tr> <td>2 PLACES</td> <td>± ---</td> <td>± ---</td> </tr> <tr> <td>1 PLACE</td> <td>± ---</td> <td>± ---</td> </tr> </tbody> </table>		mm	INCH	4 PLACES	± ---	± ---	3 PLACES	± ---	± ---	2 PLACES	± ---	± ---	1 PLACE	± ---	± ---	MM/IN	6:1
	mm	INCH																		
4 PLACES	± ---	± ---																		
3 PLACES	± ---	± ---																		
2 PLACES	± ---	± ---																		
1 PLACE	± ---	± ---																		
A		DRAFT WHERE APPLICABLE MUST REMAIN WITHIN DIMENSIONS	SEE TABLE	MATERIAL NO.	DOCUMENT NO.	SALES ASSEMBLY- LEADFREE Z AXIS PLUGGABLE PCB CONNECTOR MOLEX INCORPORATED														
							SD-74441-004 SHEET NO. 1 OF 6													
							THIS DRAWING CONTAINS INFORMATION THAT IS PROPRIETARY TO MOLEX INCORPORATED AND SHOULD NOT BE USED WITHOUT WRITTEN PERMISSION													

SALES ASSEMBLY DRAWINGS FOR SMALL FORM-FACTOR AND Z AXIS PLUGGABLE CONNECTORS



CIRCUIT SIZE	MSA	CONNECTOR DRAWING	CIRCUIT BOARD DRAWING
20	SFP	PAGE 2	PAGE 3
30	XFP	PAGE 2	PAGE 4
40		PAGE 2	PAGE 5
70	XENPAK XPAK X2	PAGE 2	PAGE 6

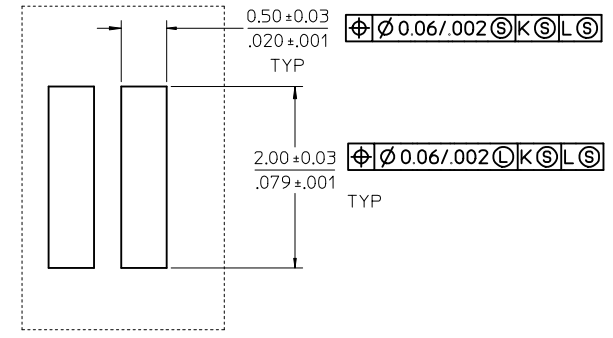
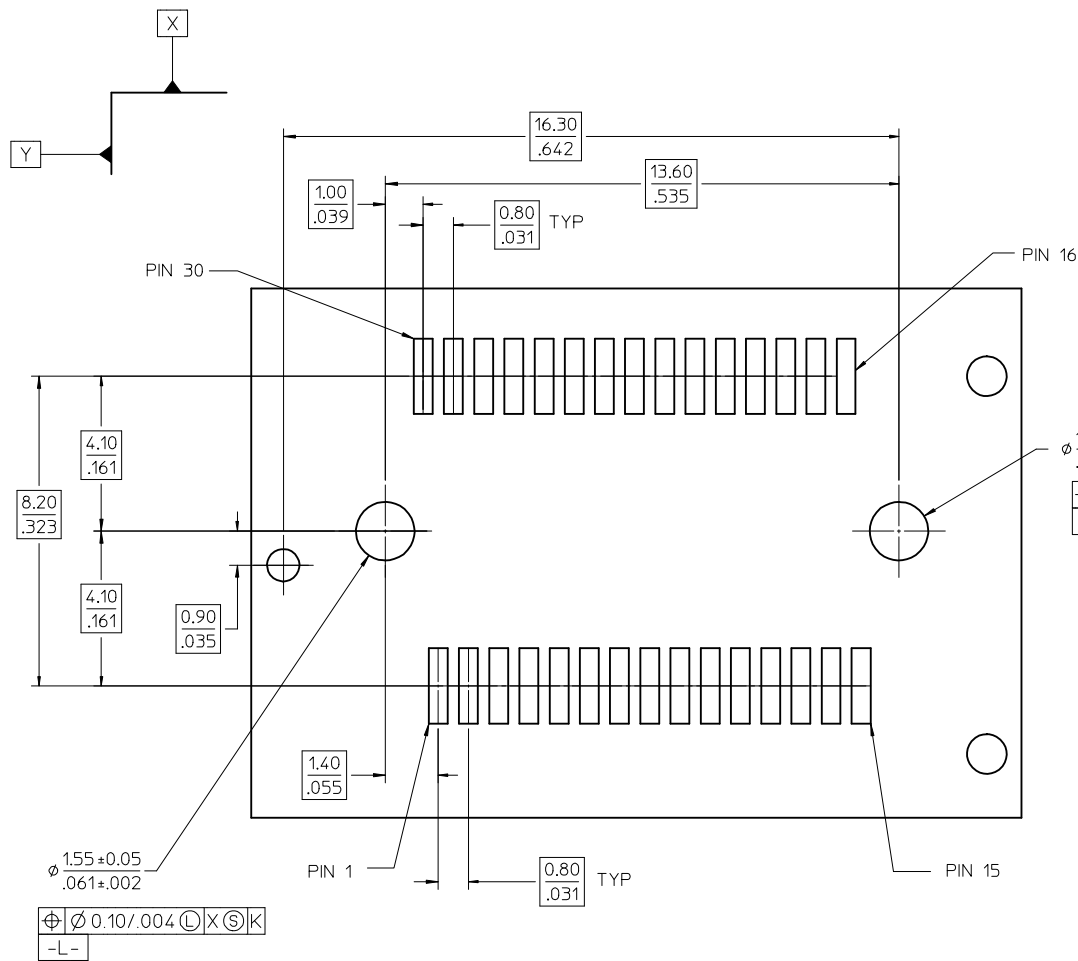
INITIAL RELEASE EC NO: UCP2010-0714 DRW:MSIBARRA 2009/09/16 CHKD:BBARKER 2009/09/24 APPR:SMILLER 2009/09/24	DESCRIPTION REV: A	QUALITY SYMBOLS	GENERAL TOLERANCES (UNLESS SPECIFIED)	DIMENSION STYLE	SCALE	DESIGN UNITS	THIRD ANGLE PROJECTION
				MM/IN	1:1	METRIC	
				DRAWN BY DATE	TITLE		
				CHECKED BY DATE	SALES ASSEMBLY- LEADFREE Z AXIS PLUGGABLE PCB CONNECTOR		
				APPROVED BY DATE	MOLEX INCORPORATED		
				SMILLER 2009/09/16	DOCUMENT NO. SD-74441-004		
				MATERIAL NO.	SHEET NO. 2 OF 6		
				SEE TABLE	THIS DRAWING CONTAINS INFORMATION THAT IS PROPRIETARY TO MOLEX INCORPORATED AND SHOULD NOT BE USED WITHOUT WRITTEN PERMISSION		



SCALE 10:1

20 CIRCUIT MOTHER BOARD RECOMMENDED PCB LAYOUT

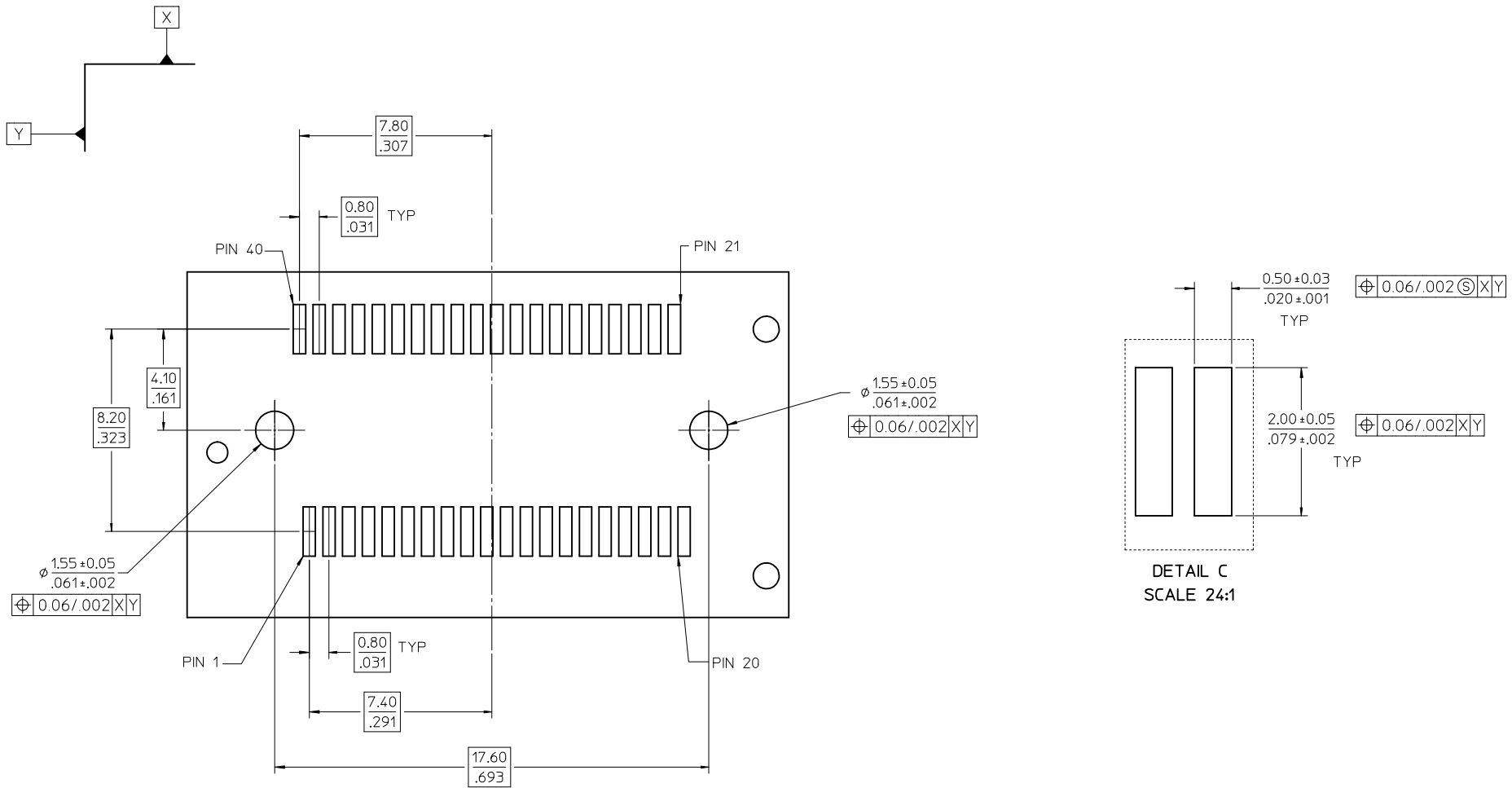
INITIAL RELEASE EC NO: UCP2010-0714 DRW:MSIBARRA 2009/09/16 CHKD:BBARKER 2009/09/16 APPR:SMILLER 2009/09/16	QUALITY SYMBOLS ▽=0 ▽=0 ▽=0	GENERAL TOLERANCES (UNLESS SPECIFIED)		DIMENSION STYLE MM/IN	SCALE 8:1	DESIGN UNITS METRIC	THIRD ANGLE PROJECTION	
		4 PLACES ± --- ± ---	3 PLACES ± --- ± ---	2 PLACES ± --- ± ---	1 PLACE ± --- ± ---	TITLE SALES ASSEMBLY- LEADFREE Z AXIS PLUGGABLE PCB CONNECTOR		
		ANGULAR ±1/2°				APPROVED BY SMILLER 2009/09/16		molex MOLEX INCORPORATED
		DRAFT WHERE APPLICABLE MUST REMAIN WITHIN DIMENSIONS		SEE TABLE		DOCUMENT NO. SD-74441-004		SHEET NO. 3 OF 6



DETAIL B
SCALE 24:1

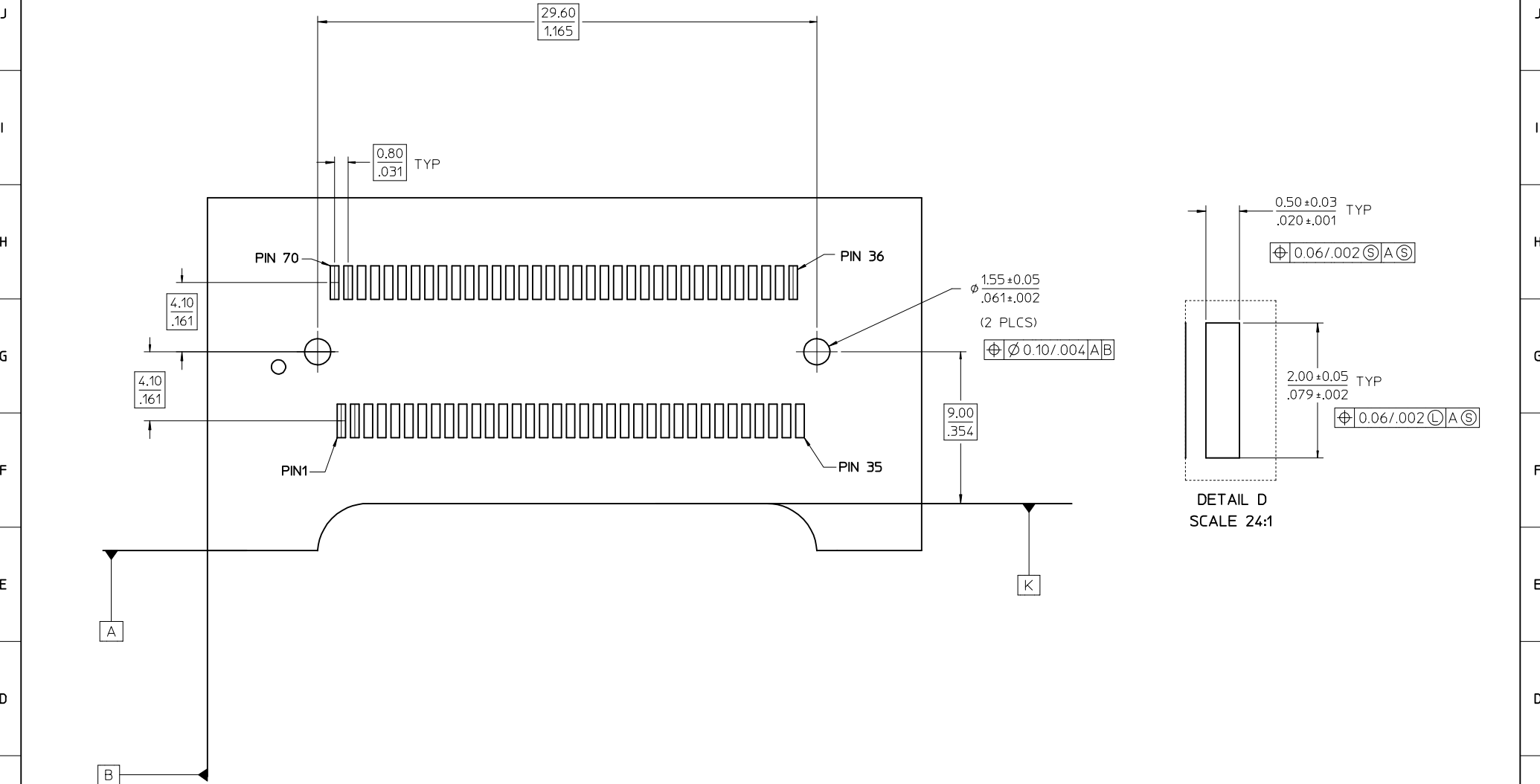
30 CIRCUIT MOTHER BOARD RECOMMENDED PCB LAYOUT

INITIAL RELEASE EC NO: UCP2010-0714 DRW:MS IBARRA 2009/09/16 CHKD:BBARKER 2009/09/24 APPR:SMILLER 2009/09/24	QUALITY SYMBOLS ▽=0 ▽=0 ▽=0	GENERAL TOLERANCES (UNLESS SPECIFIED)		DIMENSION STYLE MM/IN	SCALE 6:1	DESIGN UNITS METRIC	THIRD ANGLE PROJECTION		
		4 PLACES ± --- ± ---	3 PLACES ± --- ± ---	2 PLACES ± --- ± ---	1 PLACE ± --- ± ---	DRAWN BY MS IBARRA	DATE 2009/09/16	TITLE SALES ASSEMBLY- LEADFREE Z AXIS PLUGGABLE PCB CONNECTOR	
		ANGULAR ±1/2°				CHECKED BY BBARKER	DATE 2009/09/16	APPROVED BY SMILLER	DATE 2009/09/16
		DRAFT WHERE APPLICABLE MUST REMAIN WITHIN DIMENSIONS		SEE TABLE		MATERIAL NO. DOCUMENT NO.		MOLEX INCORPORATED	
REV A	DESCRIPTION	THIS DRAWING CONTAINS INFORMATION THAT IS PROPRIETARY TO MOLEX INCORPORATED AND SHOULD NOT BE USED WITHOUT WRITTEN PERMISSION		SHEET NO. 4 OF 6		SD-74441-004			



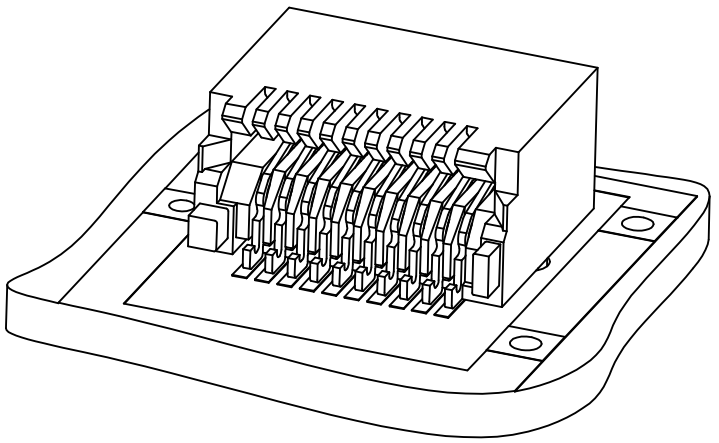
40 CIRCUIT MOTHER BOARD
RECOMMENDED PCB LAYOUT

INITIAL RELEASE EC NO: UCP2010-0714 DRWN:MSIBARRA 2009/09/16 CHKD:BBARKER 2009/09/24 APPR:SMILLER 2009/09/24	QUALITY SYMBOLS ▽=0 ▽=0 ▽=0	GENERAL TOLERANCES (UNLESS SPECIFIED)		DIMENSION STYLE MM/IN	SCALE 6:1	DESIGN UNITS METRIC	THIRD ANGLE PROJECTION															
		<table border="1"> <tr> <th></th> <th>mm</th> <th>INCH</th> </tr> <tr> <td>4 PLACES</td> <td>± ---</td> <td>± ---</td> </tr> <tr> <td>3 PLACES</td> <td>± ---</td> <td>± ---</td> </tr> <tr> <td>2 PLACES</td> <td>± ---</td> <td>± ---</td> </tr> <tr> <td>1 PLACE</td> <td>± ---</td> <td>± ---</td> </tr> </table>		mm	INCH	4 PLACES	± ---	± ---	3 PLACES	± ---	± ---	2 PLACES	± ---	± ---	1 PLACE	± ---	± ---	DRAWN BY MSIBARRA	DATE 2009/09/16	TITLE SALES ASSEMBLY- LEADFREE Z AXIS PLUGGABLE PCB CONNECTOR		
			mm	INCH																		
		4 PLACES	± ---	± ---																		
3 PLACES	± ---	± ---																				
2 PLACES	± ---	± ---																				
1 PLACE	± ---	± ---																				
ANGULAR ±1/2°	CHECKED BY BBARKER	DATE 2009/09/16	APPROVED BY SMILLER			DATE 2009/09/16	DOCUMENT NO. SD-74441-004															
DRAFT WHERE APPLICABLE MUST REMAIN WITHIN DIMENSIONS	MATERIAL NO. SEE TABLE	SHEET NO. 5 OF 6	THIS DRAWING CONTAINS INFORMATION THAT IS PROPRIETARY TO MOLEX INCORPORATED AND SHOULD NOT BE USED WITHOUT WRITTEN PERMISSION																			



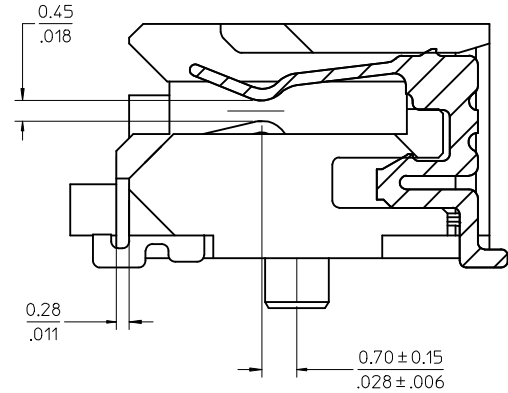
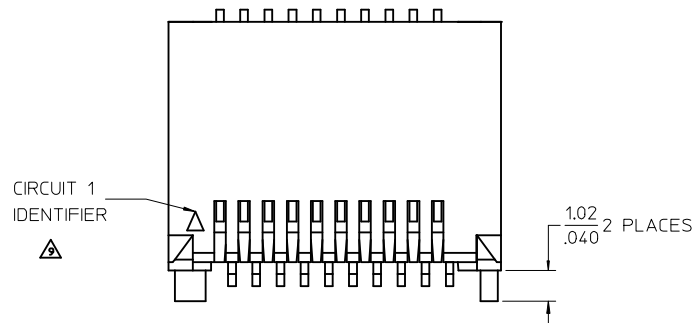
INITIAL RELEASE EC NO: UCP2010-0714 DRW:MSI BARRA 2009/09/16 CHK:DBARKER 2009/09/24 APPR:SMILLER 2009/09/24	QUALITY SYMBOLS ▽=0 ▽=0 ▽=0	GENERAL TOLERANCES (UNLESS SPECIFIED)		DIMENSION STYLE MM/IN		SCALE 6:1	DESIGN UNITS METRIC	THIRD ANGLE PROJECTION		
		4 PLACES	± ---	± ---	DRAWN BY MSI BARRA	DATE 2009/09/16	TITLE SALES ASSEMBLY- LEADFREE Z AXIS PLUGGABLE PCB CONNECTOR			
		3 PLACES	± ---	± ---	CHECKED BY BBARKER	DATE 2009/09/16	MOLEX INCORPORATED			
		2 PLACES	± ---	± ---	APPROVED BY SMILLER	DATE 2009/09/16	DOCUMENT NO. SD-74441-004	SHEET NO. 6 OF 6		
1 PLACE	± ---	± ---	ANGULAR ±1/2°		MATERIAL NO. SEE TABLE					
DRAFT WHERE APPLICABLE MUST REMAIN WITHIN DIMENSIONS			SIZE C		THIS DRAWING CONTAINS INFORMATION THAT IS PROPRIETARY TO MOLEX INCORPORATED AND SHOULD NOT BE USED WITHOUT WRITTEN PERMISSION					

CKT SIZE	PART NUMBER	TOOLED	DESCRIPTION	*A*	*B*	*C*	*D*	MULTI-SOURCE AGREEMENT	CONNECTOR DRAWING	CIRCUIT BOARD DRAWING
20	74441-5001	YES	PLATED PER NOTE 2	1.10/.043	11.00/.433	9.40/.370	9.60/.378	SFP+	PAGE 2	PAGE 3
	74441-5010	YES	PLATED PER NOTE 3	1.10/.043						

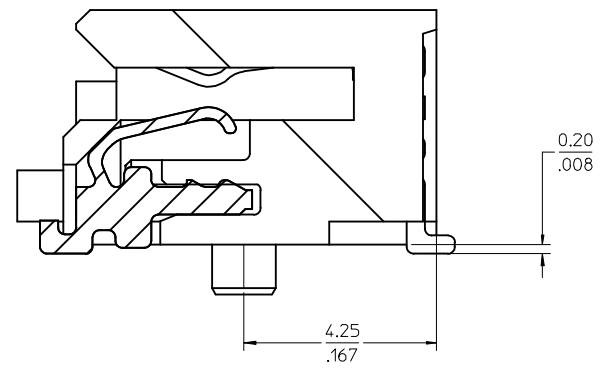
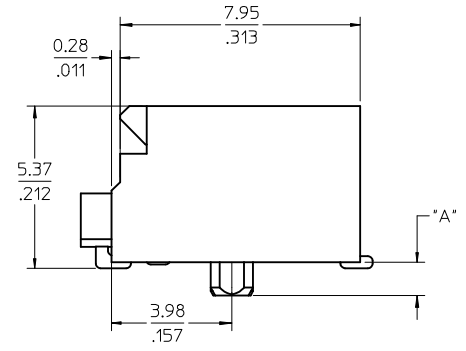
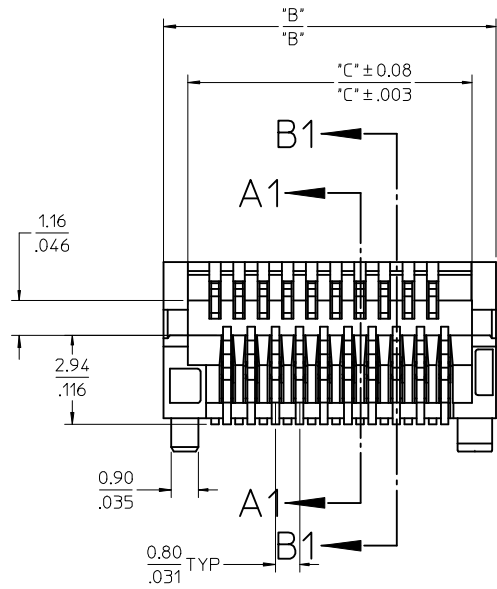


- NOTES**
- MATERIAL:**
HOUSING - HIGH TEMPERATURE THERMOPLASTIC GLASS FILLED, UL 94V-0, BLACK
TERMINALS - COPPER ALLOY
 - PLATING:**
CONTACT AREA - 0.38 μm MIN GOLD OVER 2.54 μm MIN NICKEL
SOLDER FOOT AREA - 2.54 - 5.09 μm TIN OVER 2.54 μm MIN NICKEL.
 - PLATING:**
CONTACT AREA - 0.76 μm MIN GOLD OVER 2.54 μm NICKEL
SOLDER AREA - 2.54 - 5.09 μm TIN OVER 2.54 μm MIN NICKEL
 - PLATING:**
CONTACT AREA - 0.76 μm MIN GOLD OVER 2.54 μm NICKEL, LUBRICATED
SOLDER AREA: GOLD FLASH OVER 2.54 μm MIN NICKEL.
 - PLATING:**
CONTACT AREA - 0.76 μm MIN GOLD OVER 2.54 μm NICKEL,
SOLDER AREA: GOLD FLASH OVER 2.54 μm MIN NICKEL.
 - TERMINAL SOLDER FEET TO BE COPLANAR WITHIN 0.10/.004 FOR 20, 30 AND 40 CIRCUIT CONNECTORS
TERMINAL SOLDER FEET TO BE COPLANAR WITHIN 0.15/.006 FOR 70 CIRCUIT CONNECTOR
 - * CONTACT PLANT FOR MORE INFORMATION
 - DATE CODE: 4 DIGIT (3 DIGIT DATE, 1 DIGIT YEAR)
 - CIRCUIT 1 IDENTIFIER LOCATED ON ALL PART NUMBERS

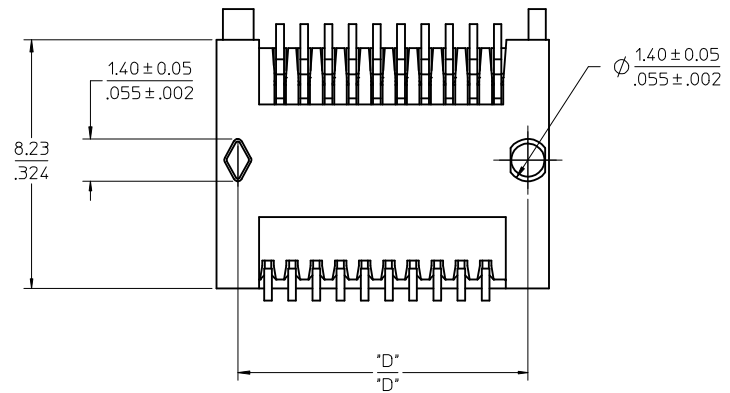
INITIAL RELEASE EC NO: UCP2007-0704 DRW:MSIBARRA 2007/07/26 CHKD:BBARKER 2007/07/27 APPR:MBANKS 2007/08/08	DESCRIPTION REV: A	QUALITY SYMBOLS	GENERAL TOLERANCES (UNLESS SPECIFIED)	DIMENSION STYLE	SCALE	DESIGN UNITS	THIRD ANGLE PROJECTION
		$\nabla=0$ $\nabla=0$	mm INCH	MM/IN	1:1	METRIC	
			4 PLACES ± --- ± --- 3 PLACES ± --- ± .005 2 PLACES ± 0.13 ± .010 1 PLACE ± 0.25 ± ---	DRAWN BY DATE BBARKER 2007/01/23 CHECKED BY DATE MSIBARRA 2007/01/23 APPROVED BY DATE SMILLER 2007/01/23	TITLE SALES ASSEMBLY SFP PLUS HOST CONNECTOR 20 CIRCUIT		
			ANGULAR ± 1/2°	MATERIAL NO. SEE TABLE			
DRAFT WHERE APPLICABLE MUST REMAIN WITHIN DIMENSIONS			THIS DRAWING CONTAINS INFORMATION THAT IS PROPRIETARY TO MOLEX INCORPORATED AND SHOULD NOT BE USED WITHOUT WRITTEN PERMISSION				



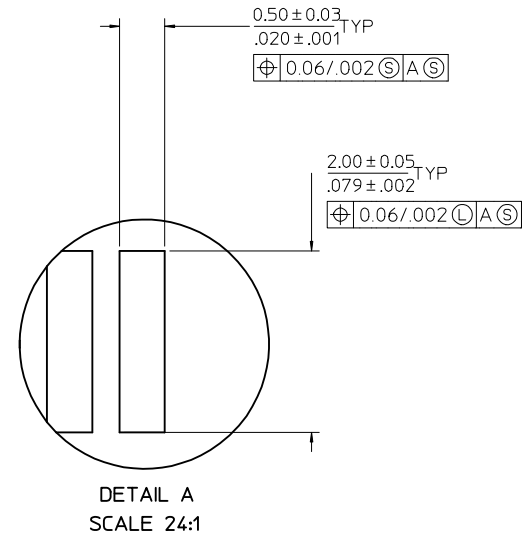
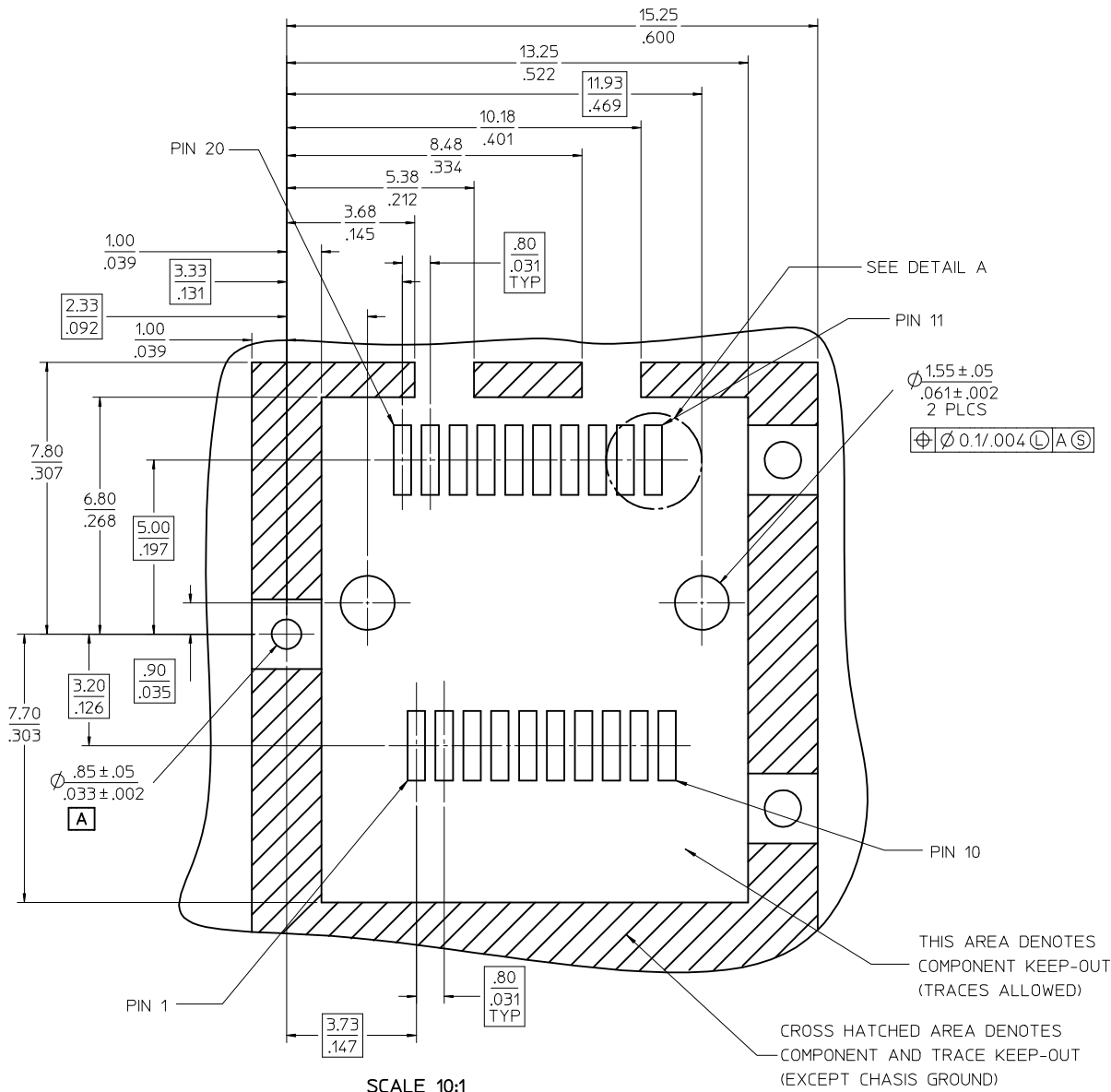
SECTION A1-A1
SCALE 12:1



SECTION B1-B1
SCALE 12:1



INITIAL RELEASE EC NO: UCP2007-0704 DRAWN: IBARRA 2007/07/26 CHKD: BBARKER 2007/07/27 APPR: MBANAKIS 2007/08/08	QUALITY SYMBOLS ▽=0 ▽=0	GENERAL TOLERANCES (UNLESS SPECIFIED)		DIMENSION STYLE MM/IN		SCALE 6:1	DESIGN UNITS METRIC	THIRD ANGLE PROJECTION			
		4 PLACES ± --- ± ---	3 PLACES ± --- ± .005	2 PLACES ± 0.13 ± .010	1 PLACE ± 0.25 ± ---	DRAWN BY BBARKER	DATE 2007/01/23	SALES ASSEMBLY SFP PLUS HOST CONNECTOR 20 CIRCUIT			
		ANGULAR ± 1/2°				CHECKED BY MS IBARRA	DATE 2007/01/23	MOLEX INCORPORATED			
		DRAFT WHERE APPLICABLE MUST REMAIN WITHIN DIMENSIONS				APPROVED BY SMILLER	DATE 2007/01/23	MATERIAL NO. SEE TABLE	DOCUMENT NO. SD-74441-008	SHEET NO. 2 OF 3	



20 CIRCUIT MOTHER BOARD
RECOMMENDED PCB LAYOUT

INITIAL RELEASE EC NO: UCP2007-0704 DRAWN BY: DRWINM IBARRA 2007/07/26 CHECKED BY: CHKD:BBARKER 2007/07/27 APPR: MBANK IS 2007/08/08 REV: A	QUALITY SYMBOLS ▽=0 ▽=0	GENERAL TOLERANCES (UNLESS SPECIFIED) <table border="1"> <tr> <th></th> <th>mm</th> <th>INCH</th> </tr> <tr> <td>4 PLACES</td> <td>± .---</td> <td>± .---</td> </tr> <tr> <td>3 PLACES</td> <td>± .---</td> <td>± .005</td> </tr> <tr> <td>2 PLACES</td> <td>± 0.13</td> <td>± .010</td> </tr> <tr> <td>1 PLACE</td> <td>± 0.25</td> <td>± .---</td> </tr> </table>		mm	INCH	4 PLACES	± .---	± .---	3 PLACES	± .---	± .005	2 PLACES	± 0.13	± .010	1 PLACE	± 0.25	± .---	DIMENSION STYLE MM/IN	SCALE 8:1	DESIGN UNITS METRIC	THIRD ANGLE PROJECTION
		mm	INCH																		
	4 PLACES	± .---	± .---																		
	3 PLACES	± .---	± .005																		
2 PLACES	± 0.13	± .010																			
1 PLACE	± 0.25	± .---																			
DRAFT WHERE APPLICABLE MUST REMAIN WITHIN DIMENSIONS	SEE TABLE	TITLE SALES ASSEMBLY SFP PLUS HOST CONNECTOR 20 CIRCUIT		MOLEX INCORPORATED		SHEET NO. 3 OF 3															
MATERIAL NO. SEE TABLE	DOCUMENT NO. SD-74441-008	THIS DRAWING CONTAINS INFORMATION THAT IS PROPRIETARY TO MOLEX INCORPORATED AND SHOULD NOT BE USED WITHOUT WRITTEN PERMISSION																			