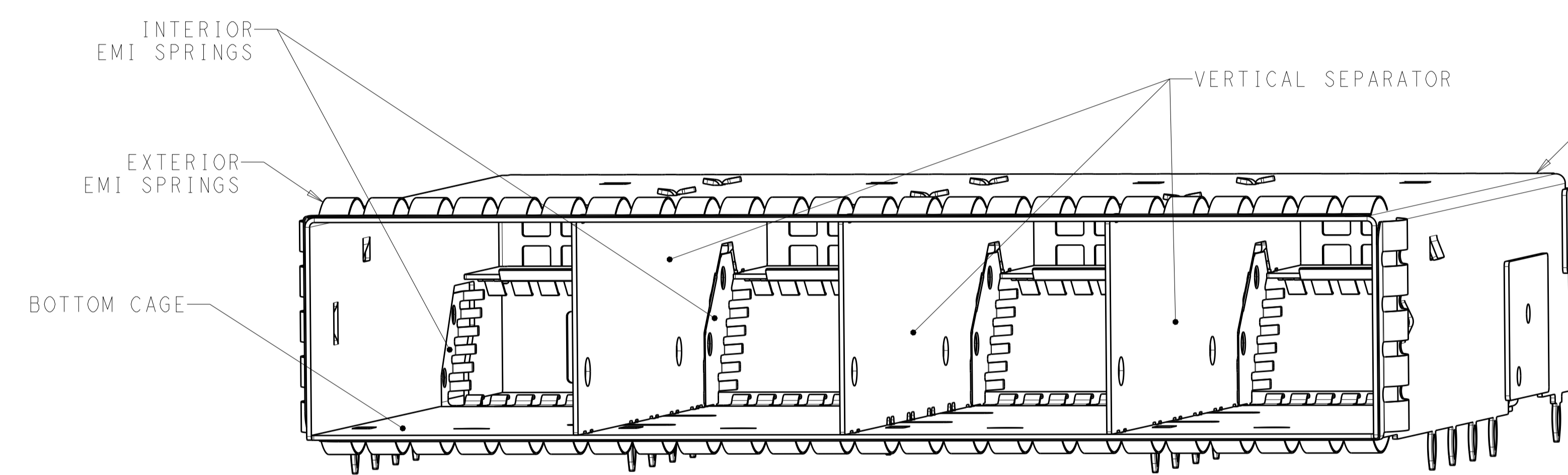
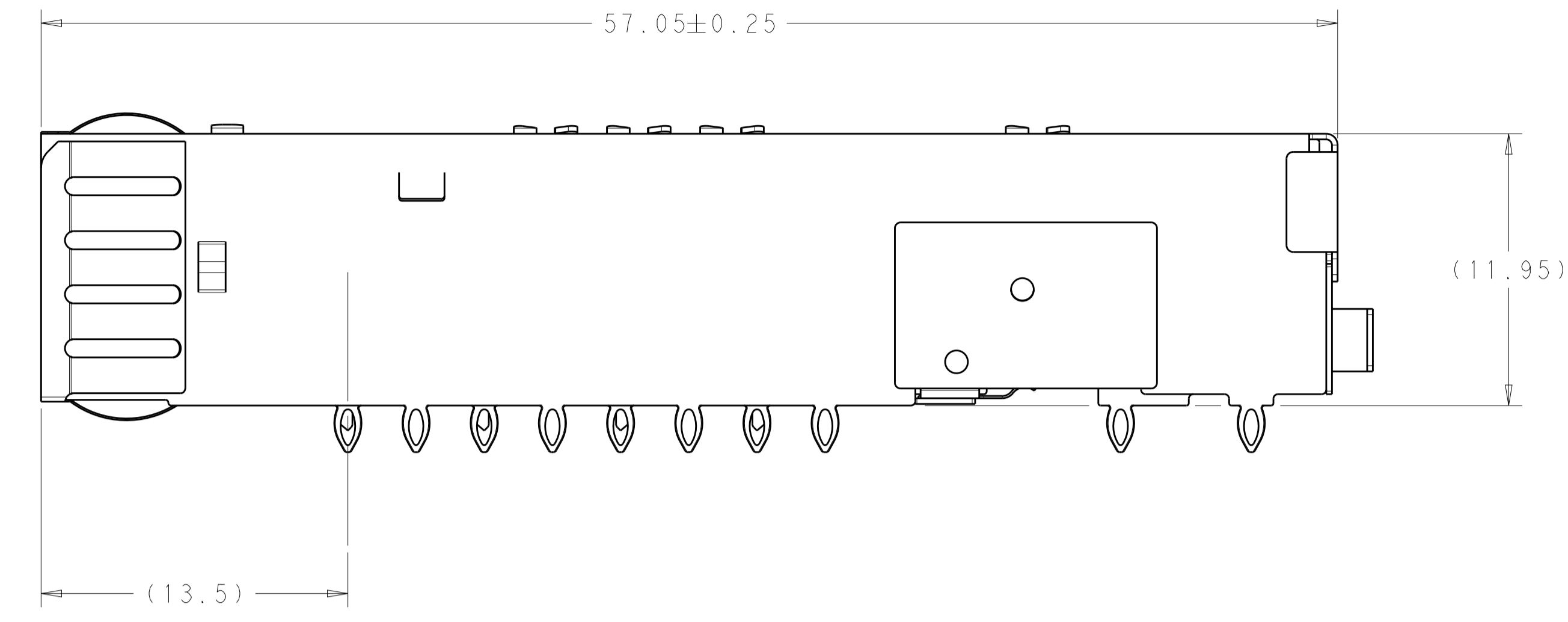
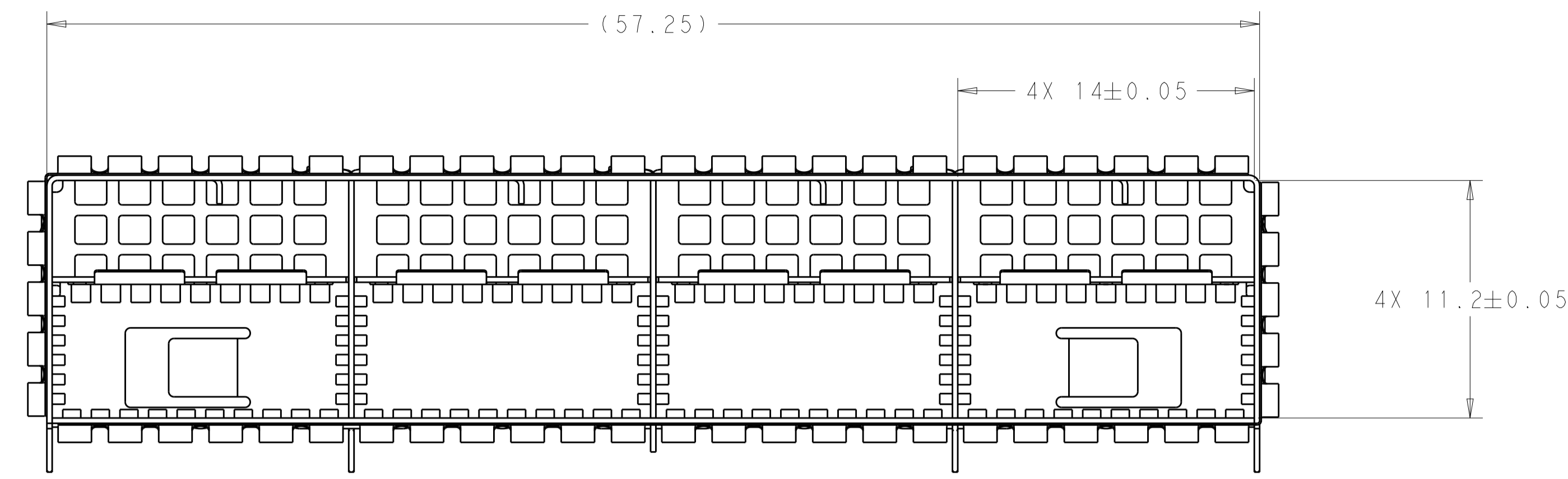
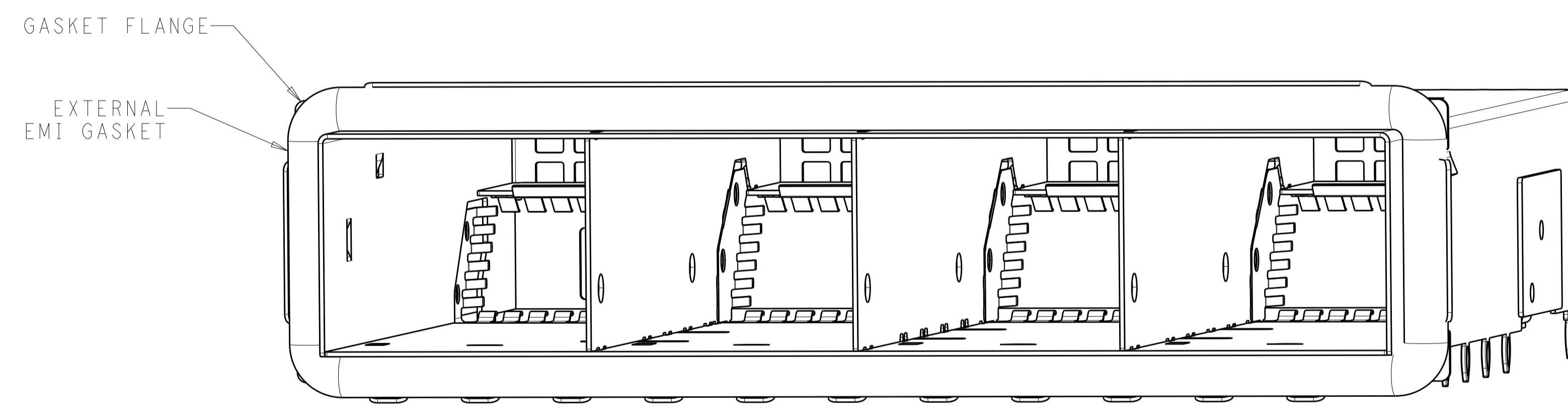


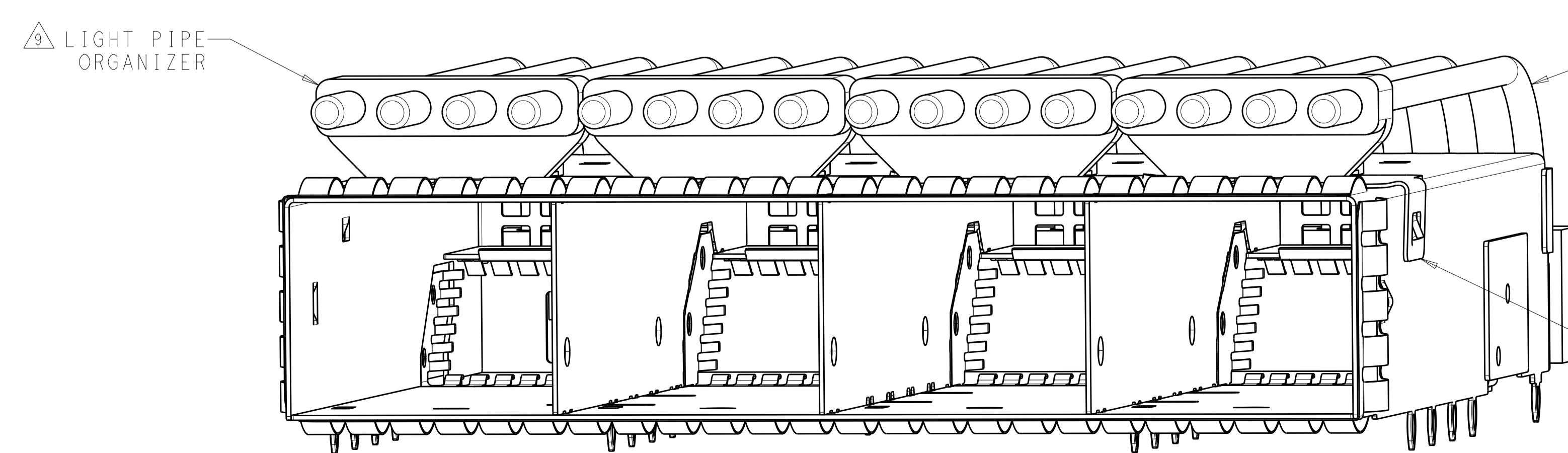
REVISIONS				
P.	LTN	DESCRIPTION	DATE	APPROV
8		UPDATE VIEWS	29SEP2016	CJV EDB
9		UPDATE VIEWS	03FEB2017	CJV EDB
10		UPDATE VIEWS	06MAR2017	CJV EDB
11		VIEW UPDATED	20MAR2017	CJV EDB



2297550-1 ISOMETRIC VIEW



2297550-2 ISOMETRIC VIEW



4-2297550-1 ISOMETRIC VIEW

1. MATERIALS:
 TOP AND BOTTOM CAGE - STAINLESS STEEL
 VERTICAL SEPARATORS - STAINLESS STEEL
 GASKET FLANGE - STAINLESS STEEL
 EMI SPRINGS - COPPER ALLOY
 EXTERNAL EMI GASKET - NICKEL CARBON
 LIGHT PIPES - CLEAR POLYCARBONATE
 LIGHT PIPE ORGANIZERS - POLYCARBONATE
 LIGHT PIPE BRACKET - STAINLESS STEEL

2. FOR HOLE SIZE AND PLATINGS SEE APPLICATION SPEC 114-32151.
 3. NOTE REMOVED.
 4. LED PLACEMENT AREA FOR 4 LIGHT PIPE DASH NUMBERS.
 5. LED PLACEMENT AREA FOR 2 LIGHT PIPE DASH NUMBERS.
 6. LED PLACEMENT AREA FOR 1 LIGHT PIPE DASH NUMBERS.
 7. COMPONENT KEEPOUT AND SURFACE TRACE KEEPOUT (EXCEPT CHASSIS GROUND).
 8. COMPONENT KEEPOUT.
 9. LIGHT PIPE ASSEMBLY SHOWN ASSEMBLED TO CAGE ASSEMBLY FOR REFERENCE. LIGHT PIPE ASSEMBLY IS SHIPPED UNASSEMBLED TO CAGE ASSEMBLY.

THIS PRINT IS
PRELIMINARY
 UNQUALIFIED PRODUCT CONTACT PRODUCT ENGINEERING BEFORE USING THIS PRINT

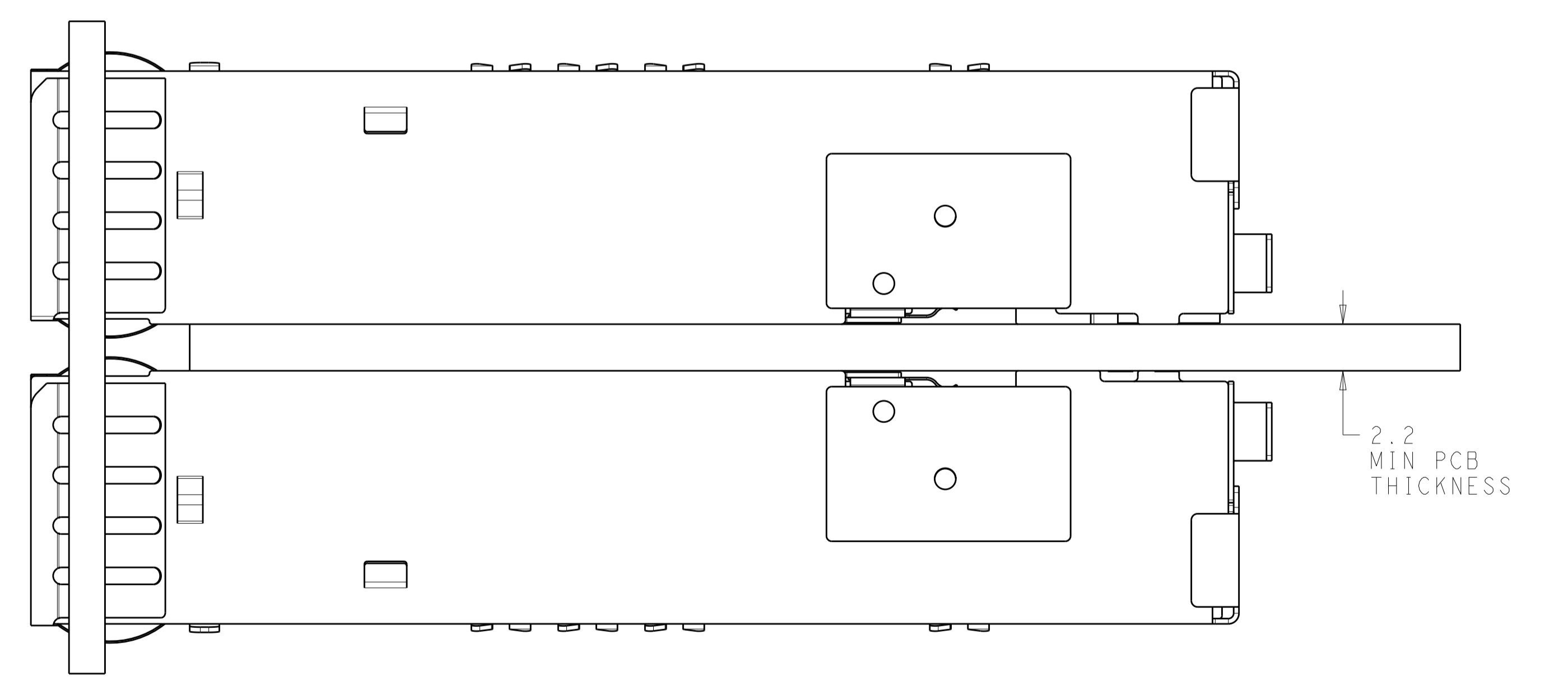
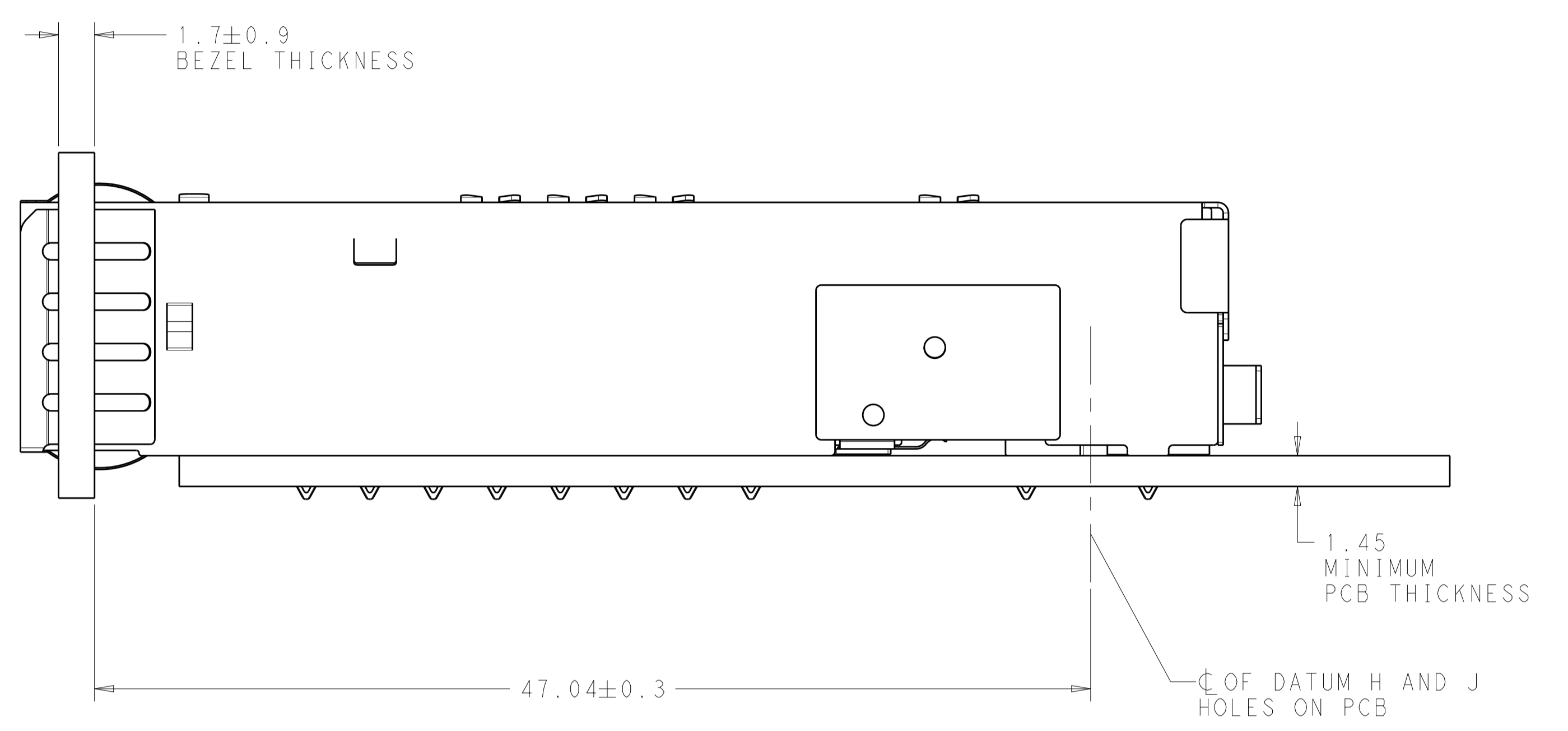
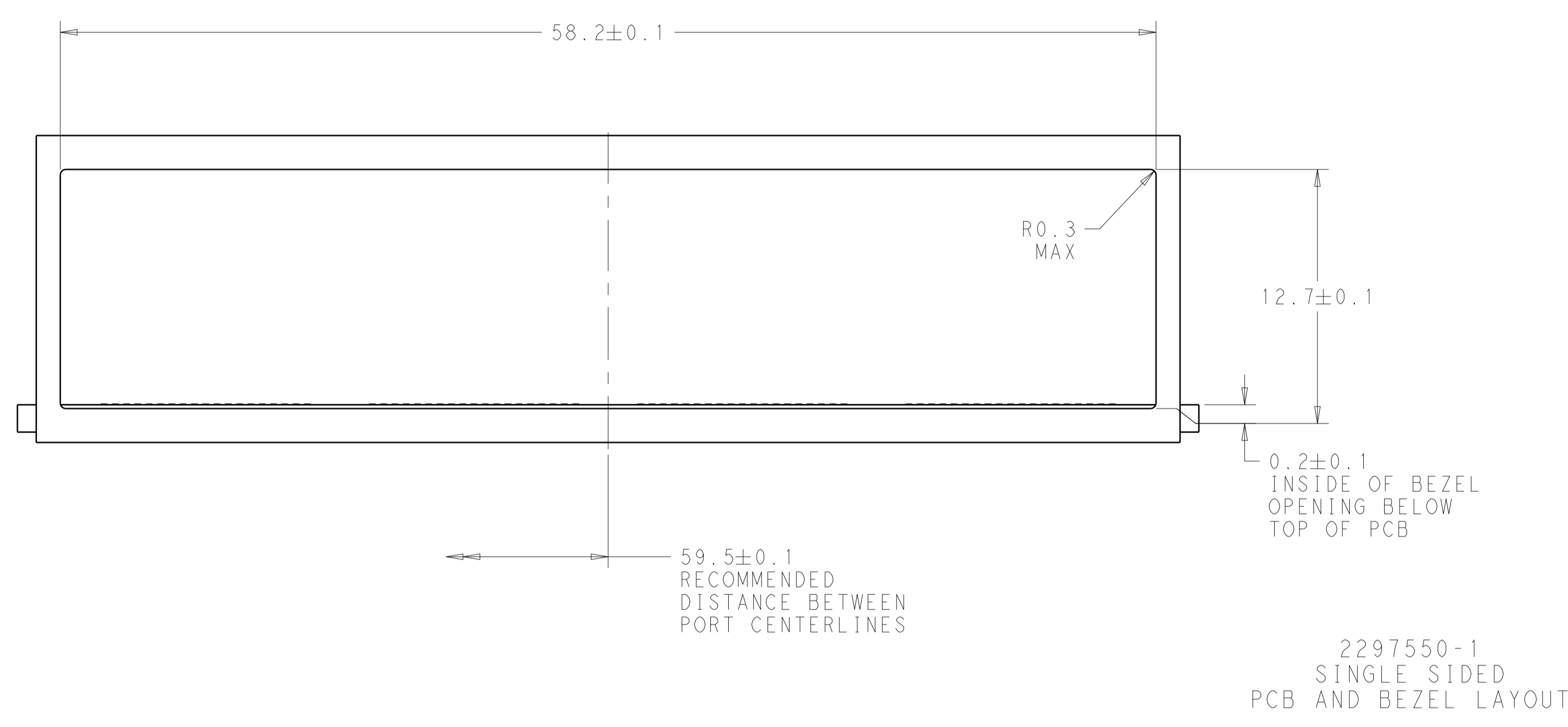
4	GASKET	4-2297550-2
4	SPRING	4-2297550-1
2	GASKET	2-2297550-2
2	SPRING	2-2297550-1
1	GASKET	1-2297550-2
1	SPRING	1-2297550-1
0	GASKET	2297550-2
0	SPRING	2297550-1
LIGHT PIPES PER PORT		PART NUMBER
EXTERNAL EMI SHIELDING		PART NUMBER

THIS DRAWING IS A CONTROLLED DOCUMENT.

DIMENSIONS:	TOLERANCES UNLESS OTHERWISE SPECIFIED:	OWN: C. VALENTINE 12JAN2016	CHK: E. BRIANT 12JAN2016	APV: E. BRIANT 12JAN2016	NAME: CAGE ASSEMBLY 10X4
mm	0 PLC ± 1 PLC ± 2 PLC ± 3 PLC ± 4 PLC ± ANGLES ±1*	PRODUCT SPEC: 108-32129	APPLICATION SPEC: 114-32151	WEIGHT: -	SIZE: A1
MATERIAL: -	FINISH: -	CUSTOMER DRAWING	SCALE: 5:1	SHEET: 1 OF 6	REV: 11

PRELIMINARY **STE** TE ConnectIVITY

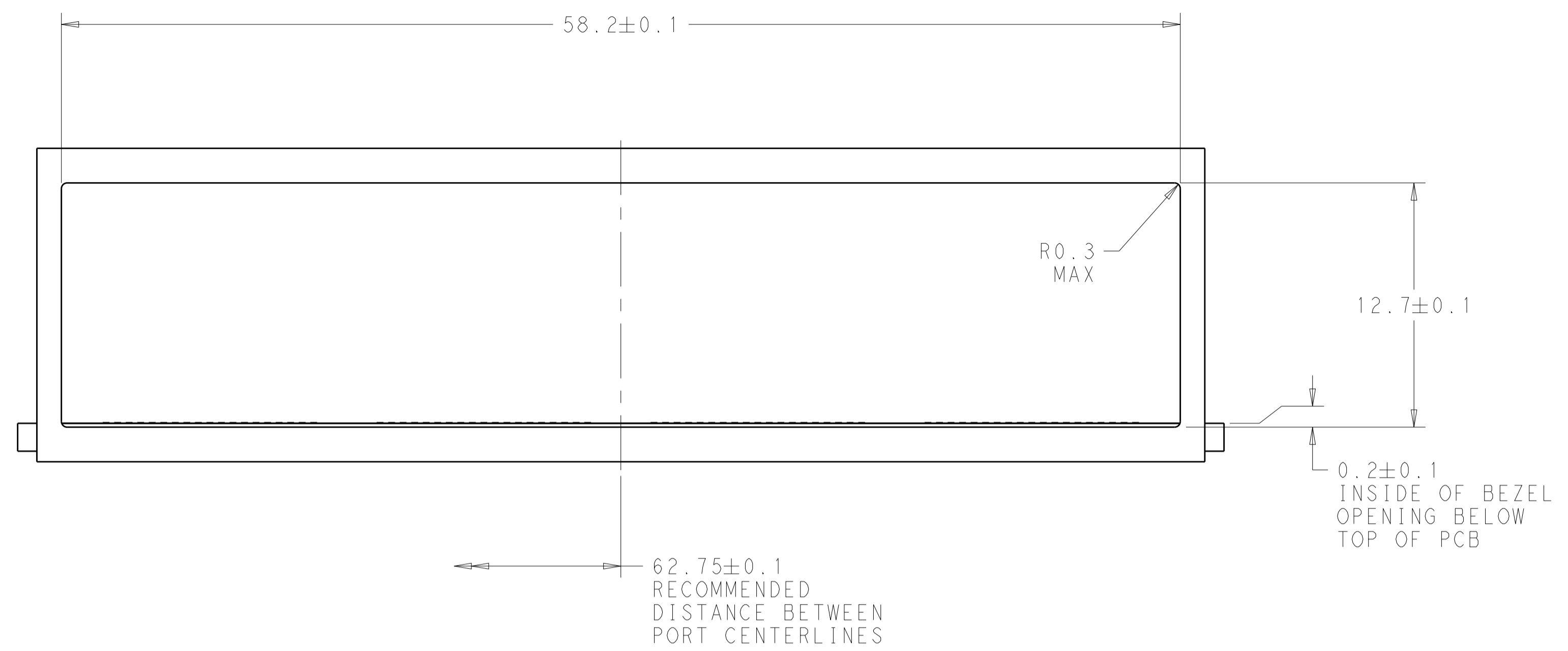
REVISIONS				
P.	LTN.	DESCRIPTION	DATE	APPD.
-	-	SEE SHEET 1	-	-



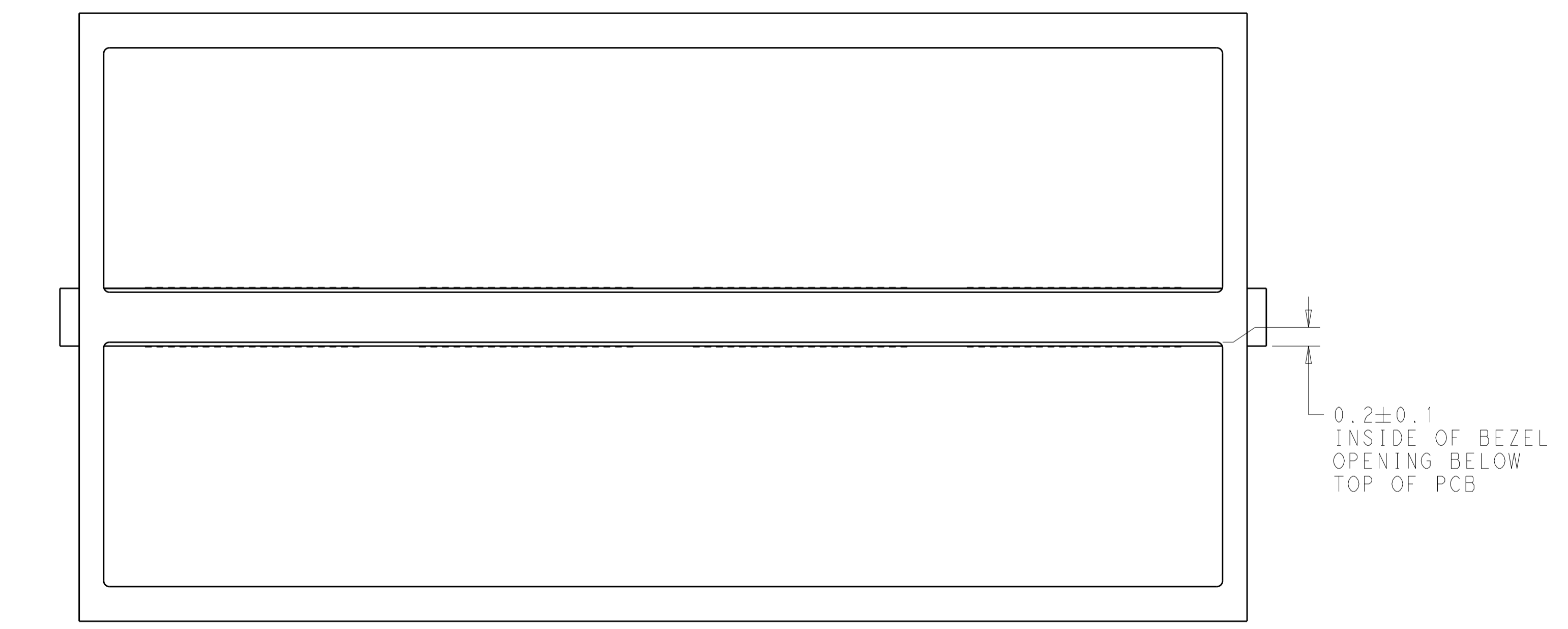
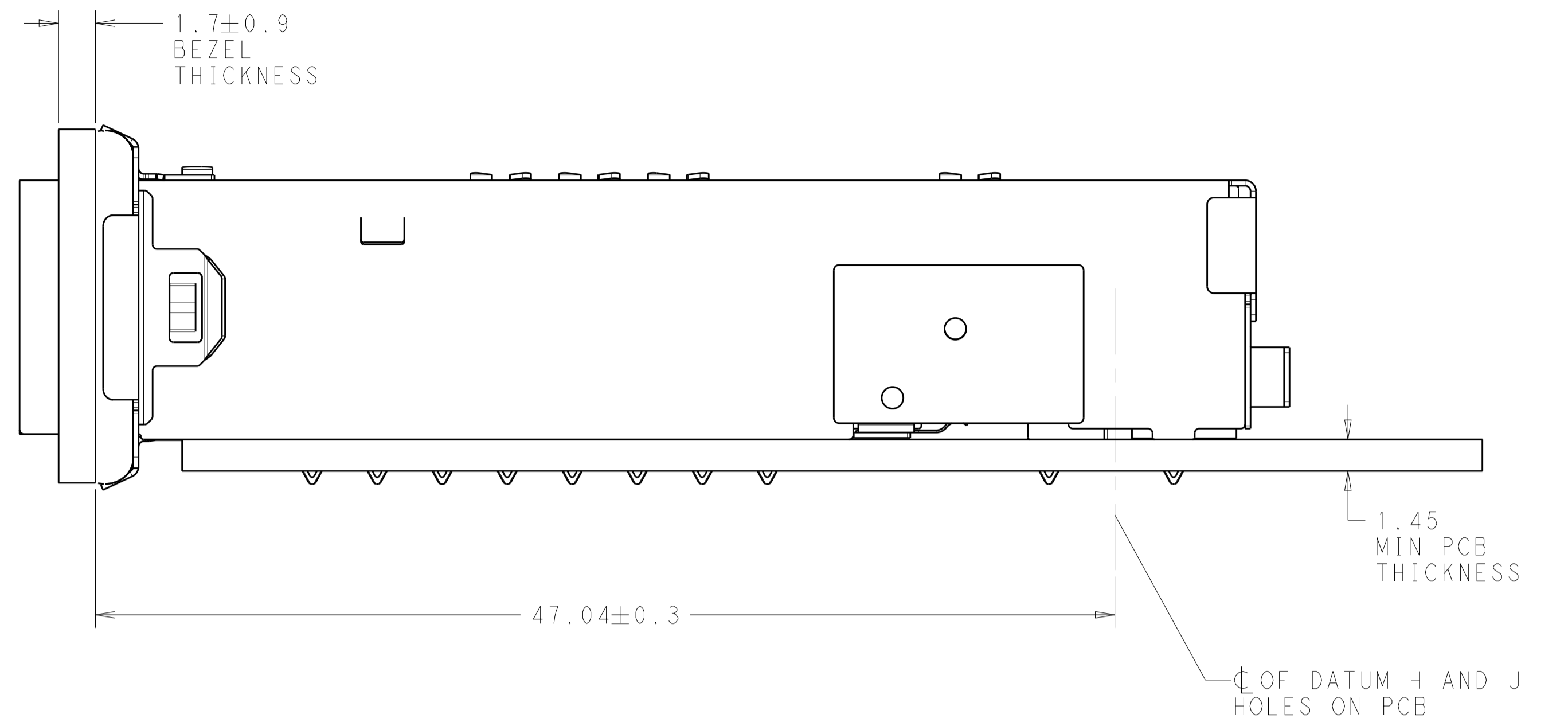
THIS PRINT IS
PRELIMINARY
 UNQUALIFIED PRODUCT
 CONTACT PRODUCT ENGINEERING
 BEFORE USING THIS PRINT

THIS DRAWING IS A CONTROLLED DOCUMENT.		DWN: C. VALENTINE 12JAN2016 CHK: E. BRIANT 12JAN2016 APVD: E. BRIANT 12JAN2016	STE TE Connectivity
DIMENSIONS: mm 	TOLERANCES UNLESS OTHERWISE SPECIFIED: 0 PLC ± 1 PLC ± 2 PLC ± 3 PLC ± 4 PLC ± ANGLES ±1° FINISH	NAME: CAGE ASSEMBLY, 1X4, microQSFP PRODUCT SPEC: 108-32129 APPLICATION SPEC: 114-32151 WEIGHT: - CUSTOMER DRAWING	SIZE: A1 CAGE CODE: - DRAWING NO: 2297550 RESTRICTED TO: - SCALE: 5:1 SHEET: 2 OF 6 REV: 11

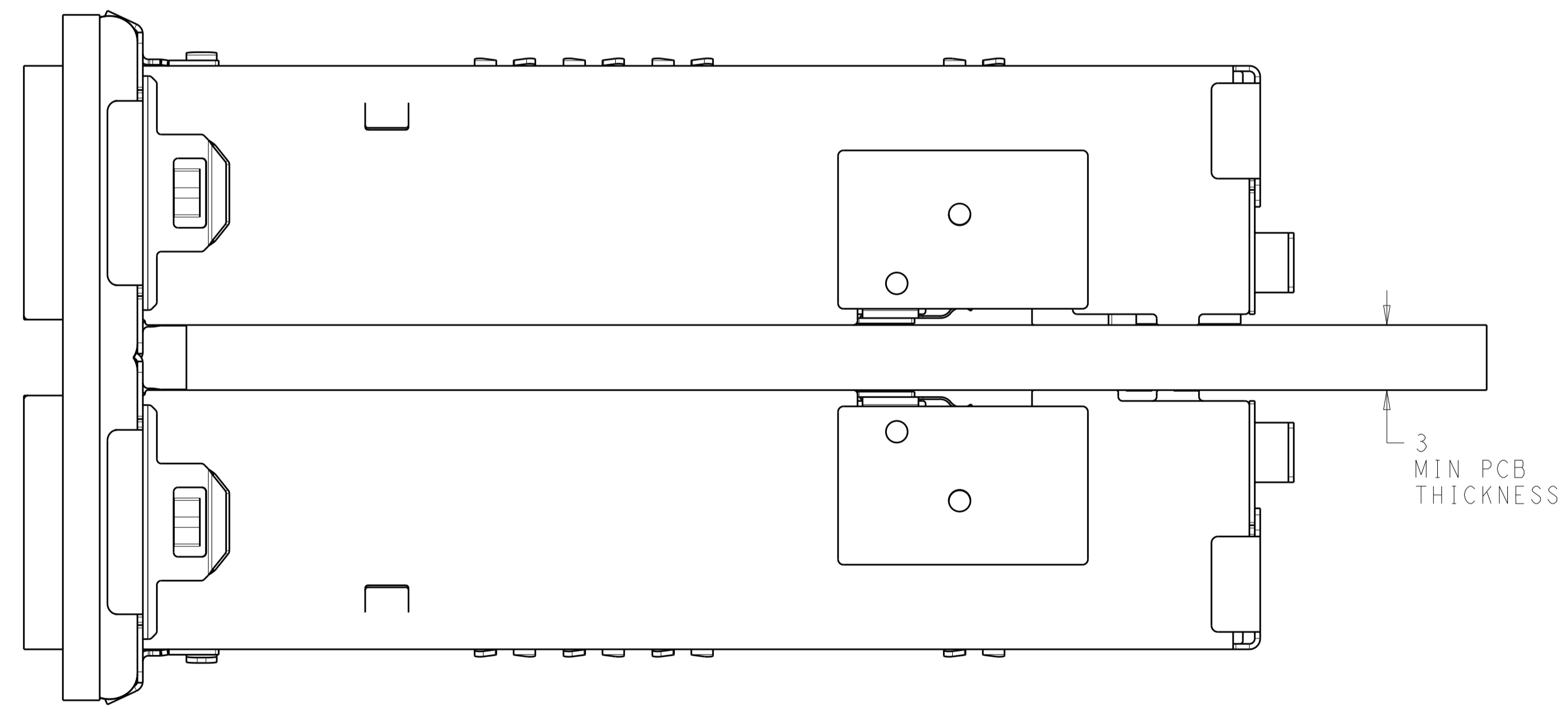
REVISIONS					
P.	LTN	DESCRIPTION	DATE	DMN	APVD
-	-	SEE SHEET 1	-	-	-



2297550-2
 SINGLE SIDED
 PCB AND BEZEL LAYOUT



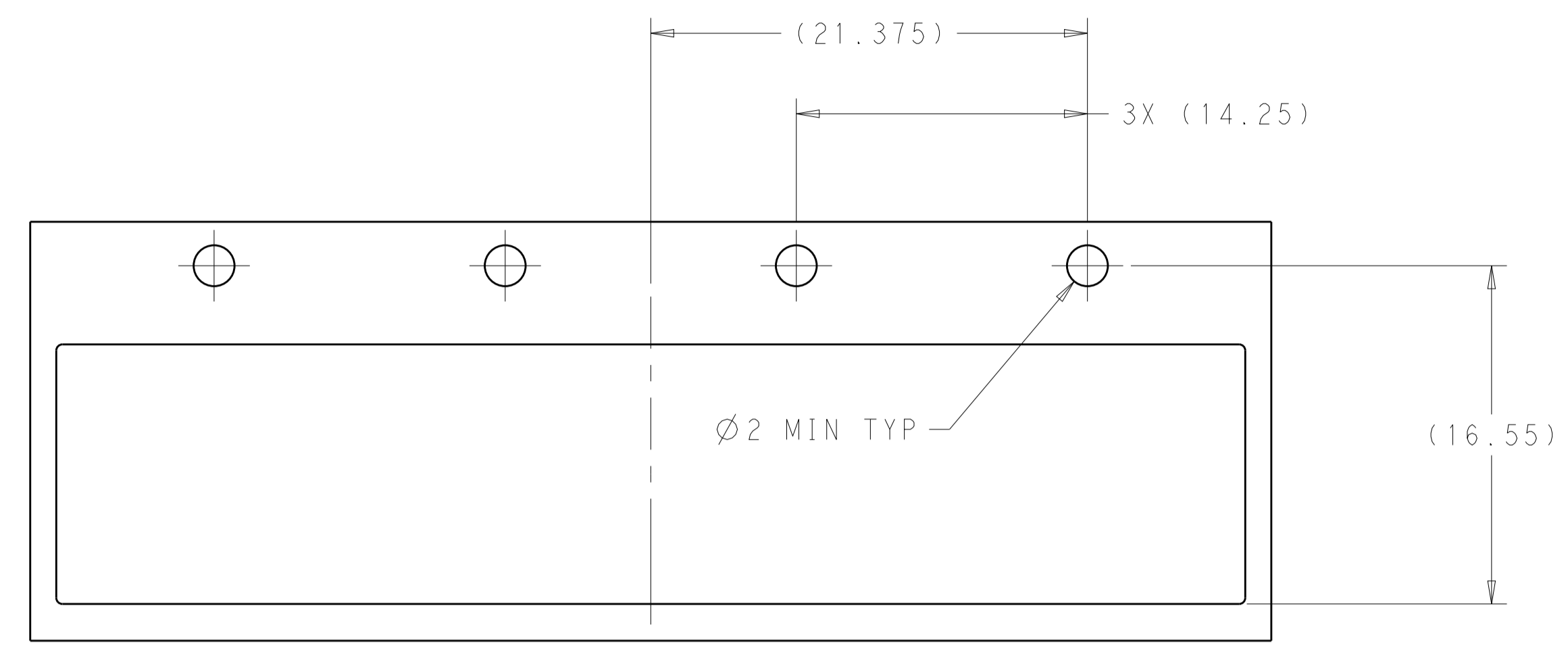
2297550-2
 BELLY TO BELLY
 SAME AS SINGLE SIDED
 EXCEPT WHERE NOTED
 PCB AND BEZEL LAYOUT



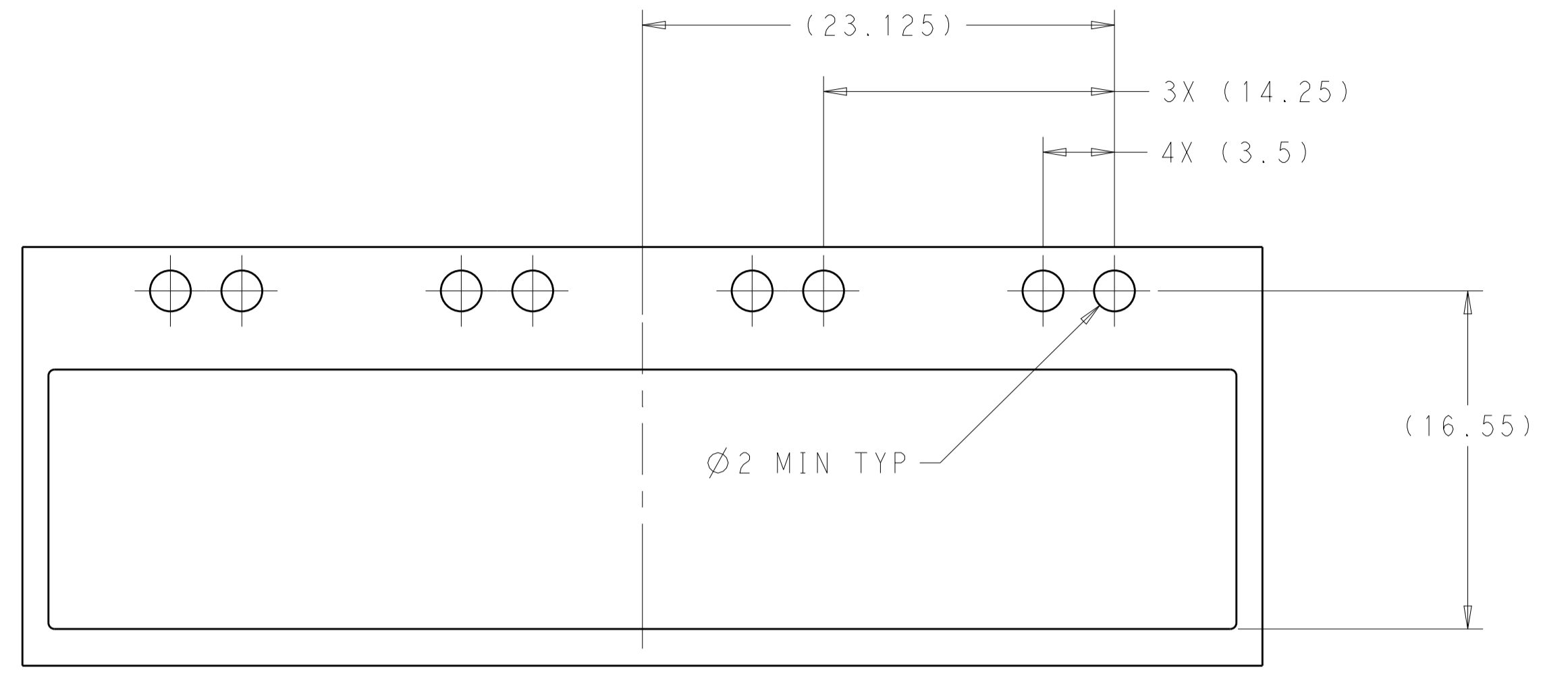
THIS PRINT IS
PRELIMINARY
 UNQUALIFIED PRODUCT
 CONTACT PRODUCT ENGINEERING
 BEFORE USING THIS PRINT

THIS DRAWING IS A CONTROLLED DOCUMENT.		DMN C. VALENTINE 12JAN2016	TE Connectivity
DIMENSIONS: mm		CHK E. BRIANT 12JAN2016	
TOLERANCES UNLESS OTHERWISE SPECIFIED:		APVD E. BRIANT 12JAN2016	NAME CAGE ASSEMBLY, 1X4, microQSFP
0 PLC	±	PRODUCT SPEC	RESTRICTED TO
2 PLC	±	108-32129	SIZE
3 PLC	±	APPLICATION SPEC	CAGE CODE
4 PLC	±	114-32151	DRAWING NO
ANGLES	±1°	WEIGHT	SCALE
MATERIAL		CUSTOMER DRAWING	5:1
FINISH			SHEET 3 OF 6
			REV 11

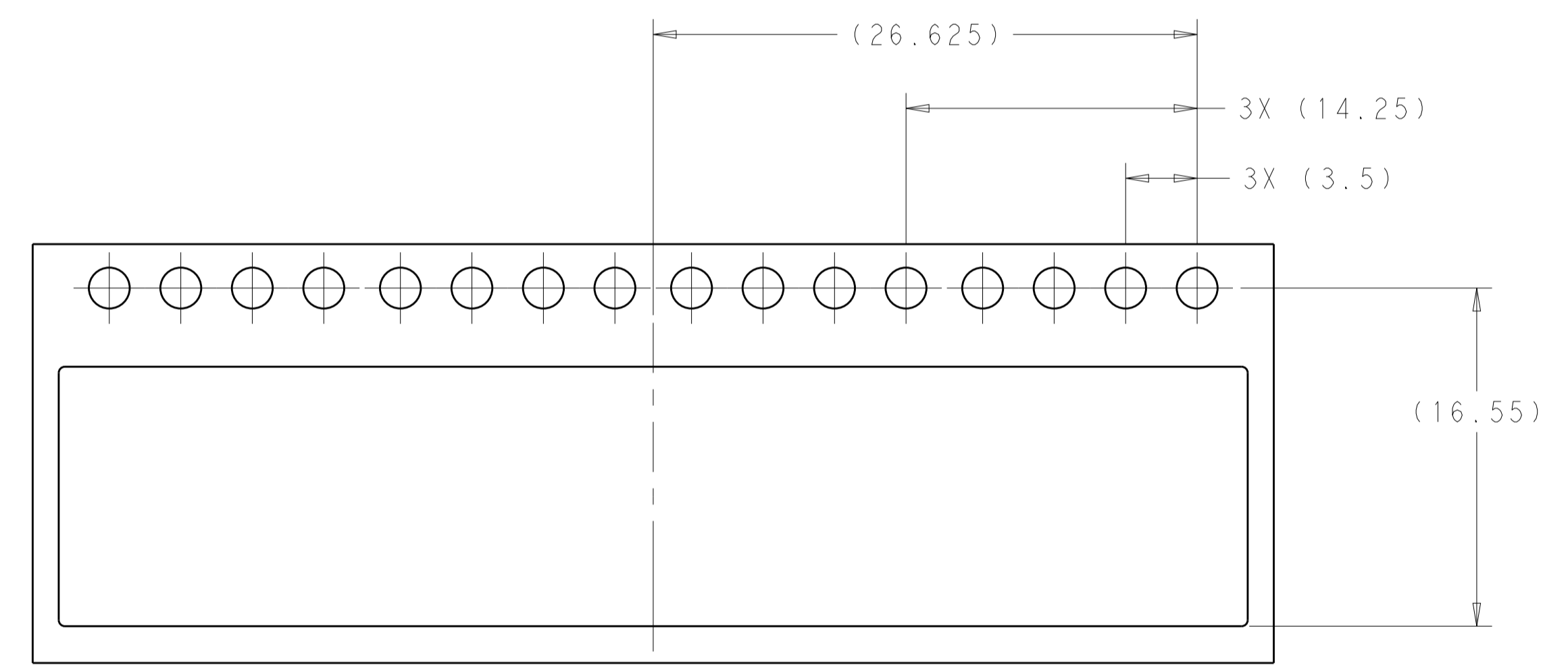
REVISIONS				
P.	LTA	DESCRIPTION	DATE	APVD
-	-	SEE SHEET 1	-	-



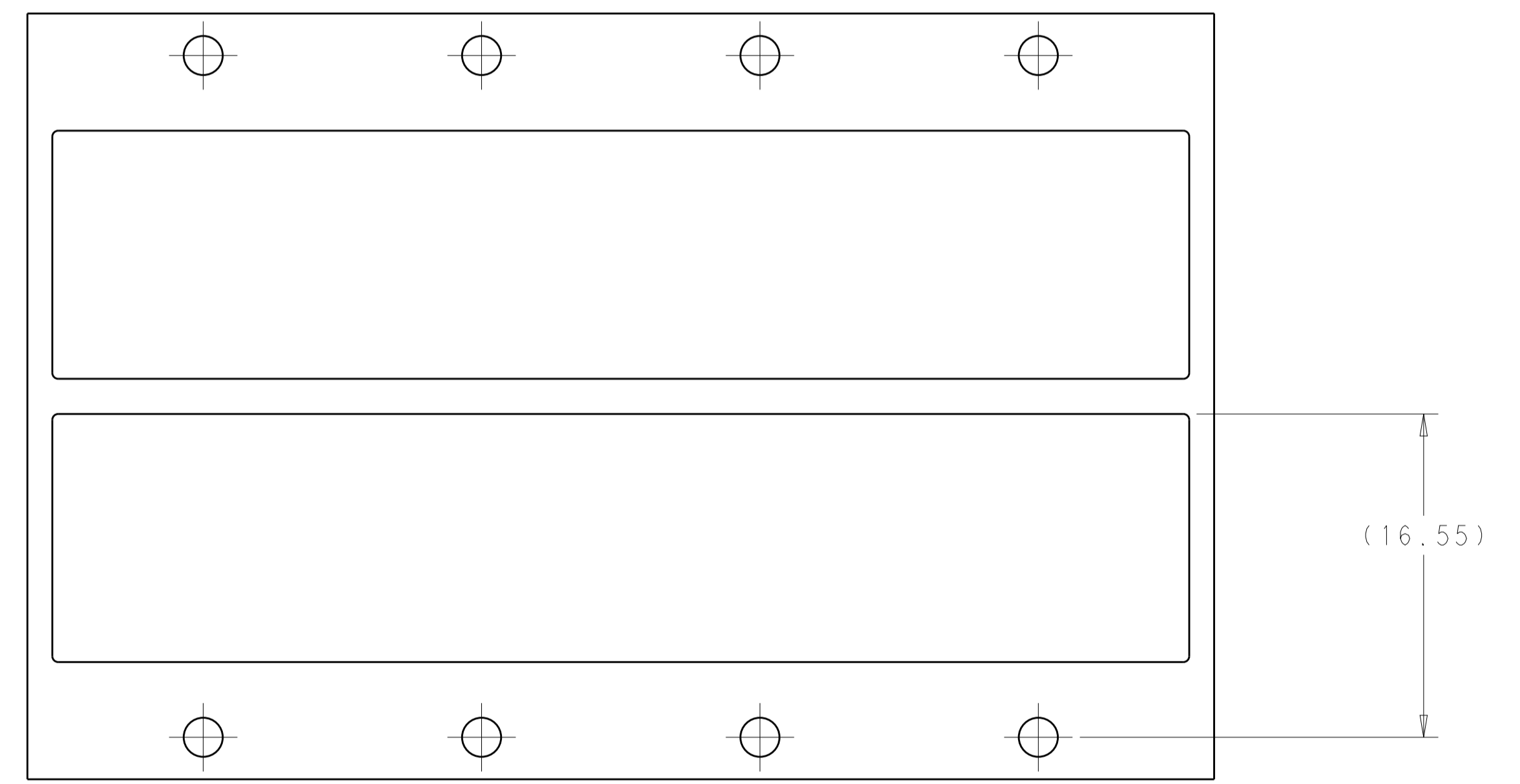
BEZEL LAYOUT FOR SINGLE LIGHT PIPE
 SINGLE SIDED
 SCALE 4:1



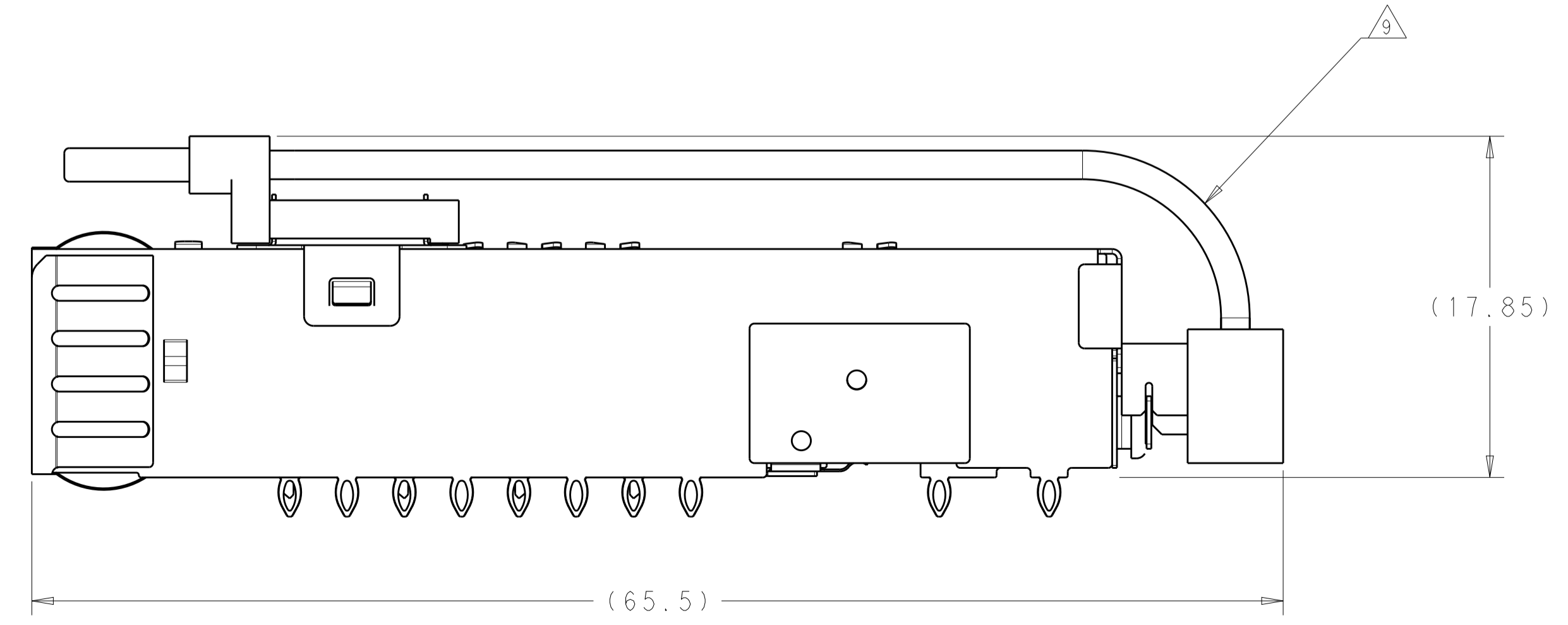
BEZEL LAYOUT FOR DOUBLE LIGHT PIPE
 SINGLE SIDED
 SCALE 4:1



BEZEL LAYOUT FOR QUAD LIGHT PIPES
 SINGLE SIDED
 SCALE 4:1



BEZEL LAYOUT FOR LIGHT PIPES
 BELLY TO BELLY
 SIMILAR TO SINGLE SIDED
 EXCEPT WHERE NOTED
 SCALE 4:1



4-2297550-1
 SCALE 4:1

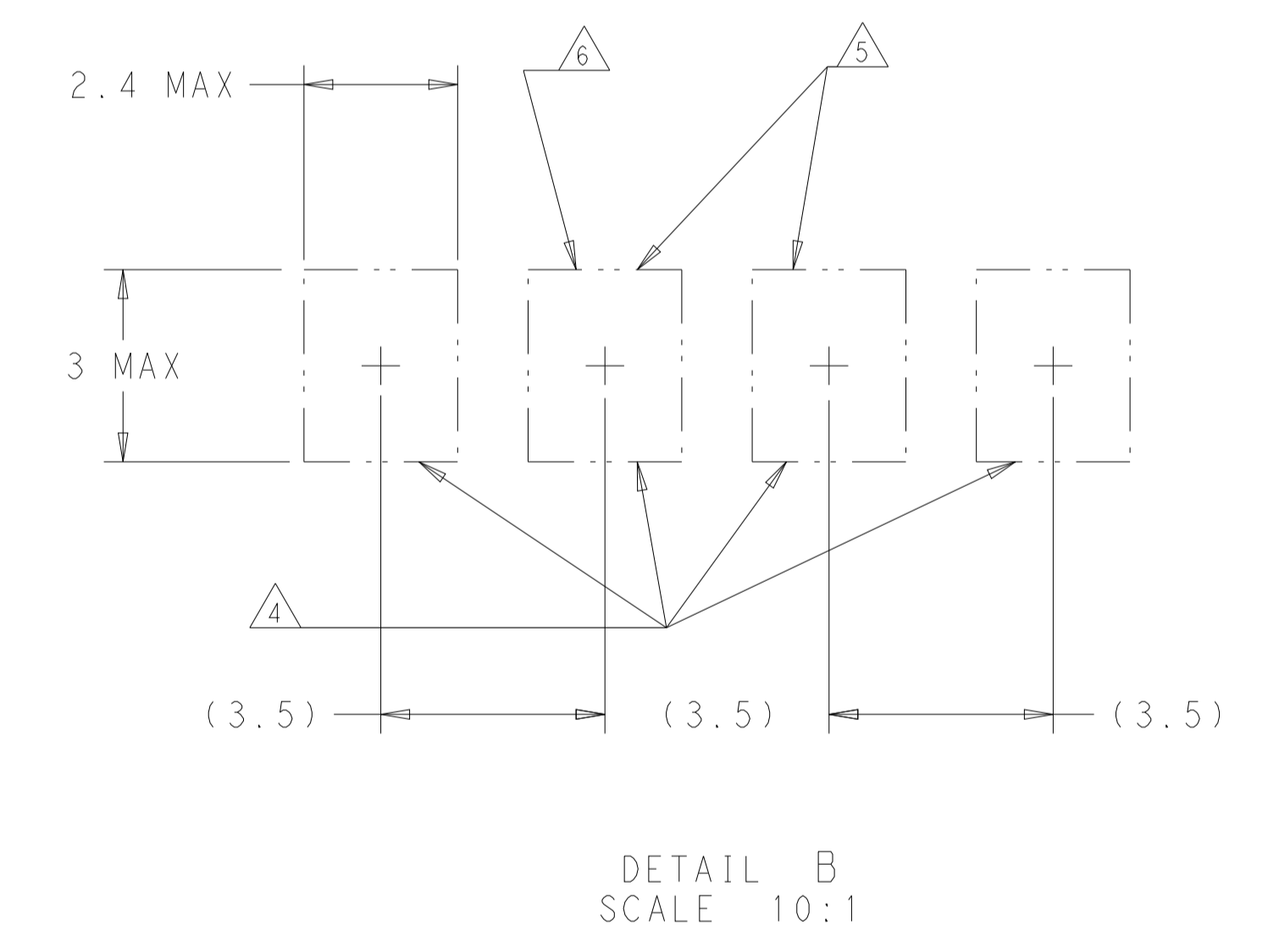
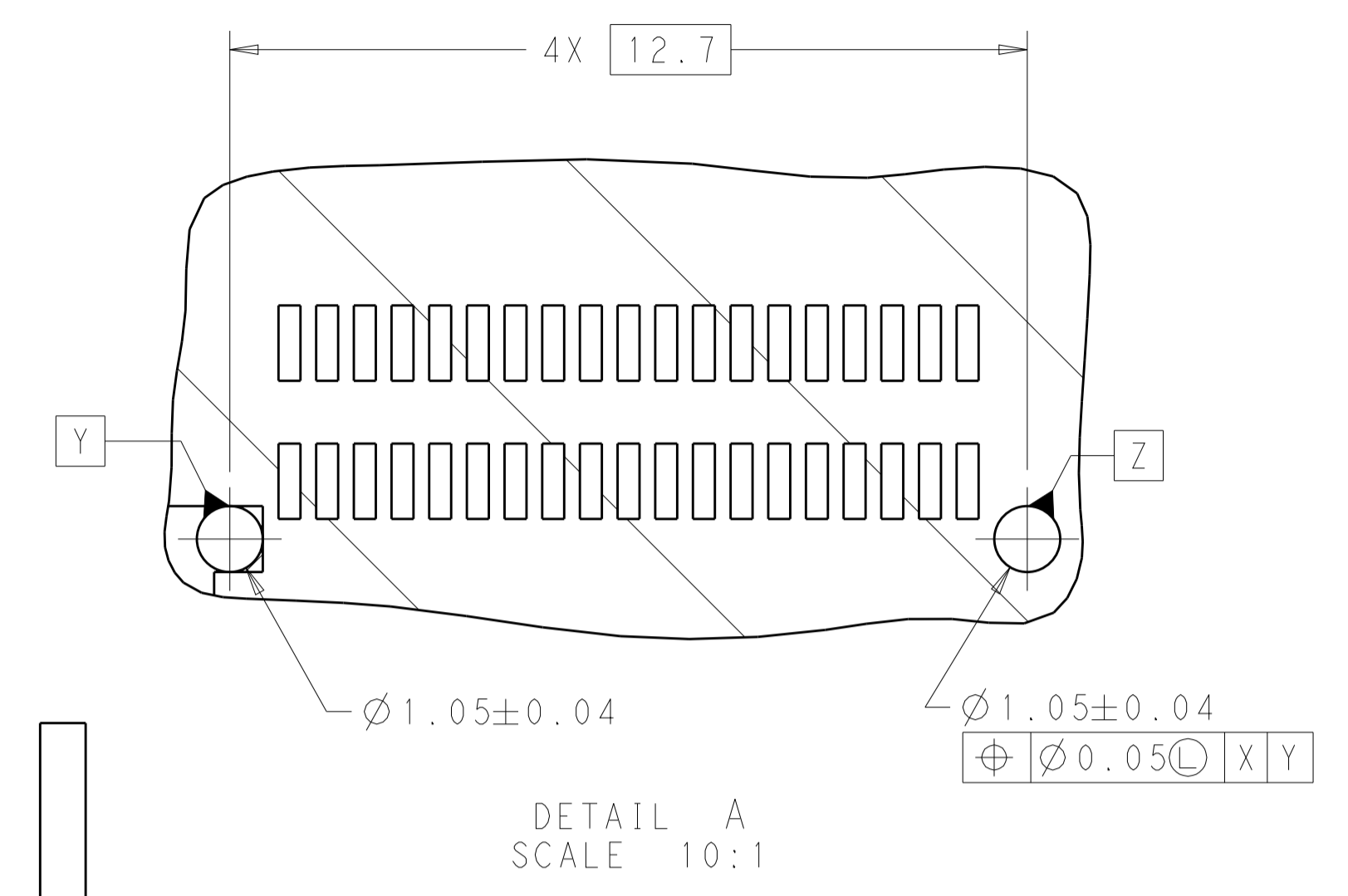
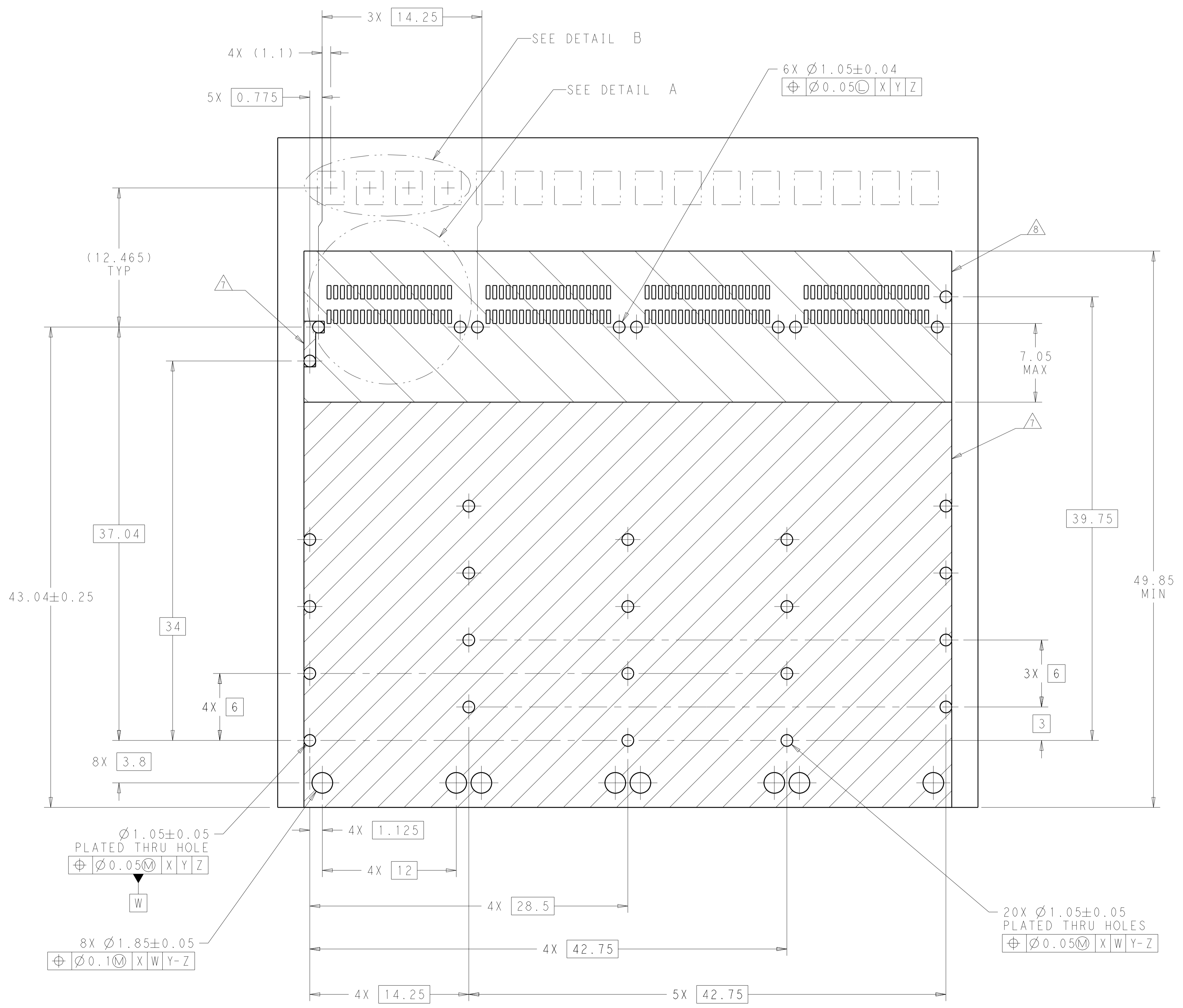
THIS PRINT IS
PRELIMINARY
 UNQUALIFIED PRODUCT
 CONTACT PRODUCT ENGINEERING
 BEFORE USING THIS PRINT

THIS DRAWING IS A CONTROLLED DOCUMENT.		DWN C. VALENTINE 12JAN2016	TE Connectivity	
DIMENSIONS:		CHK E. BRIANT 12JAN2016		
mm	TOLERANCES UNLESS OTHERWISE SPECIFIED:	APVD E. BRIANT 12JAN2016	NAME CAGE ASSEMBLY, 1X4, microQSFP	
	0 PLC ± 1 PLC ± 2 PLC ± 3 PLC ± 4 PLC ± ANGLES ±1°	PRODUCT SPEC 108-32129	RESTRICTED TO	
MATERIAL	FINISH	APPLICATION SPEC 114-32151	SIZE A1	CAGE CODE C=2297550
-	-	WEIGHT	SCALE 5:1	SHEET 4 OF 6
-	-	CUSTOMER DRAWING	REV 11	

REVISIONS				
P. LTH	DESCRIPTION	DATE	DMN	APVD
-	SEE SHEET 1	-	-	-

THIS PRINT IS
PRELIMINARY
 UNQUALIFIED PRODUCT
 CONTACT PRODUCT ENGINEERING
 BEFORE USING THIS PRINT

SINGLE SIDED
 RECOMMENDED PCB LAYOUT

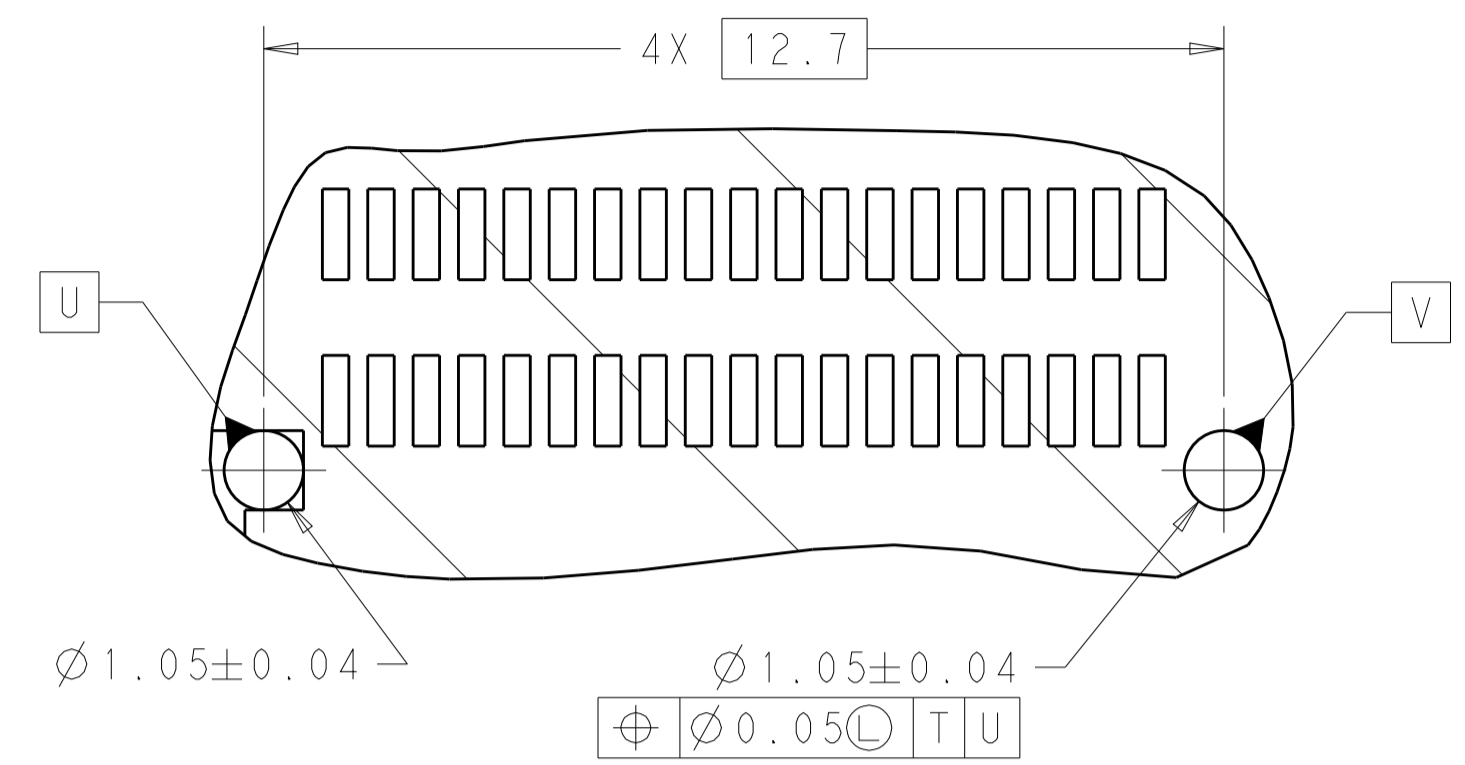


THIS DRAWING IS A CONTROLLED DOCUMENT.		DMN C. VALENTINE 12JAN2016	TE Connectivity
DIMENSIONS: mm		CHK E. BRIANT 12JAN2016	
TOLERANCES UNLESS OTHERWISE SPECIFIED:		APVD E. BRIANT 12JAN2016	NAME CAGE ASSEMBLY, 1X4, microQSFP
0 PLC \pm	1 PLC \pm	PRODUCT SPEC 108-32129	SIZE A1
2 PLC \pm	3 PLC \pm	APPLICATION SPEC 114-32151	CAGE CODE DRAWING NO. C=2297550
4 PLC \pm	ANGLES \pm	WEIGHT	RESTRICTED TO
MATERIAL	FINISH	CUSTOMER DRAWING	SCALE 5:1 SHEET 5 OF 6 REV 11

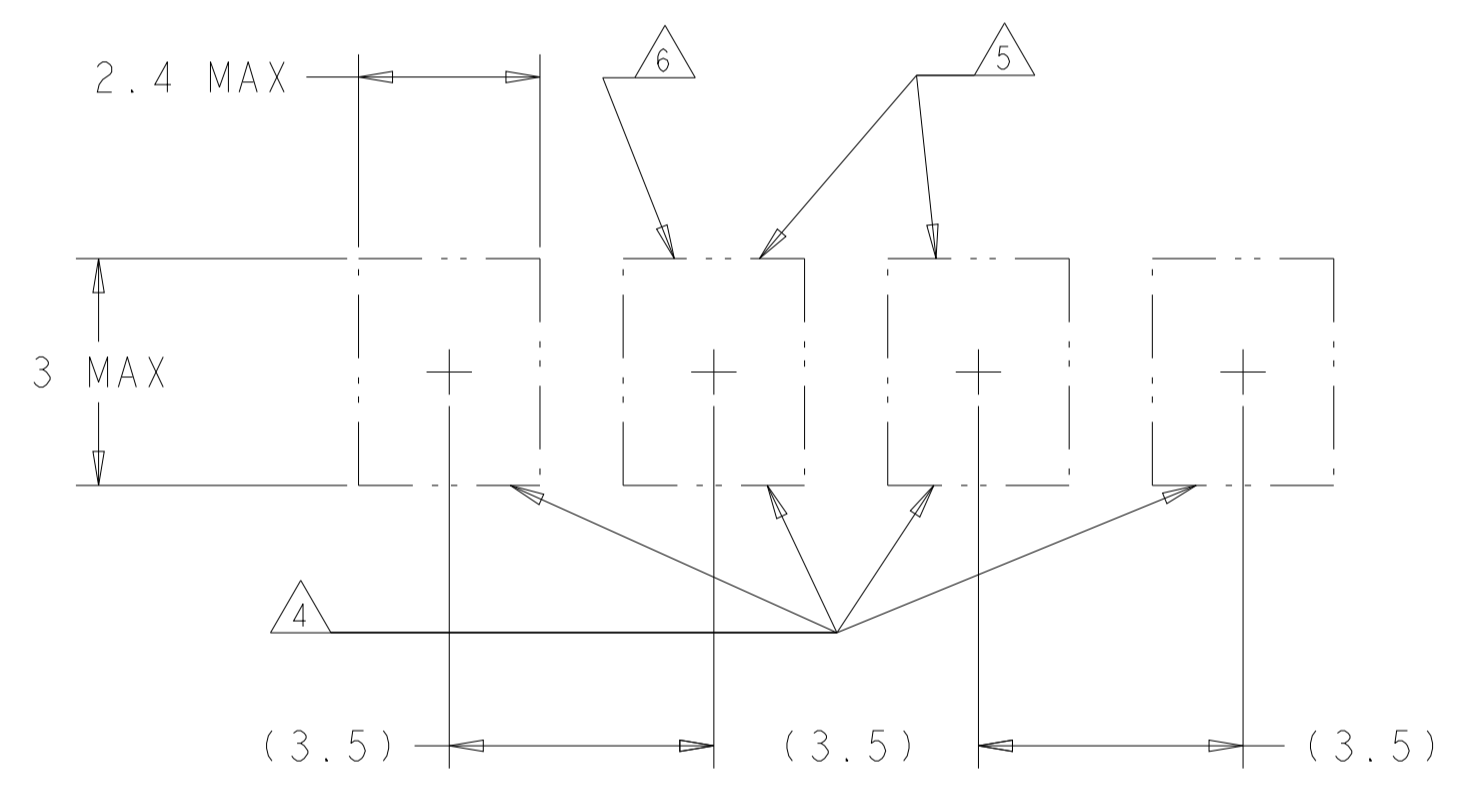
REVISIONS				
P.	LTN.	DESCRIPTION	DATE	APVD.
-	-	SEE SHEET 1	-	-

THIS PRINT IS
PRELIMINARY
 UNQUALIFIED PRODUCT
 CONTACT PRODUCT ENGINEERING
 BEFORE USING THIS PRINT

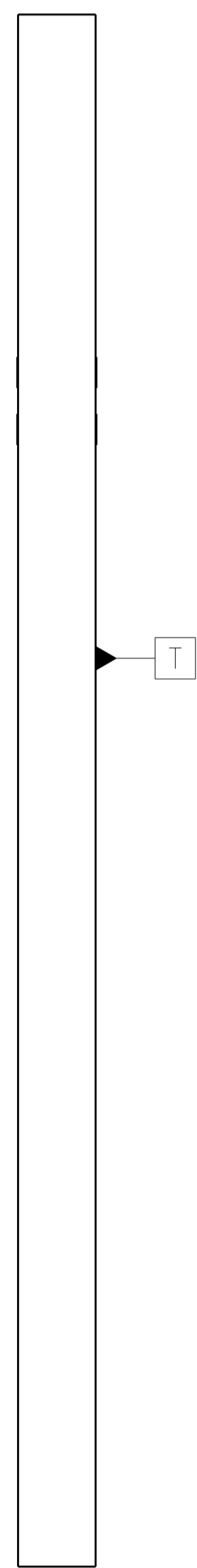
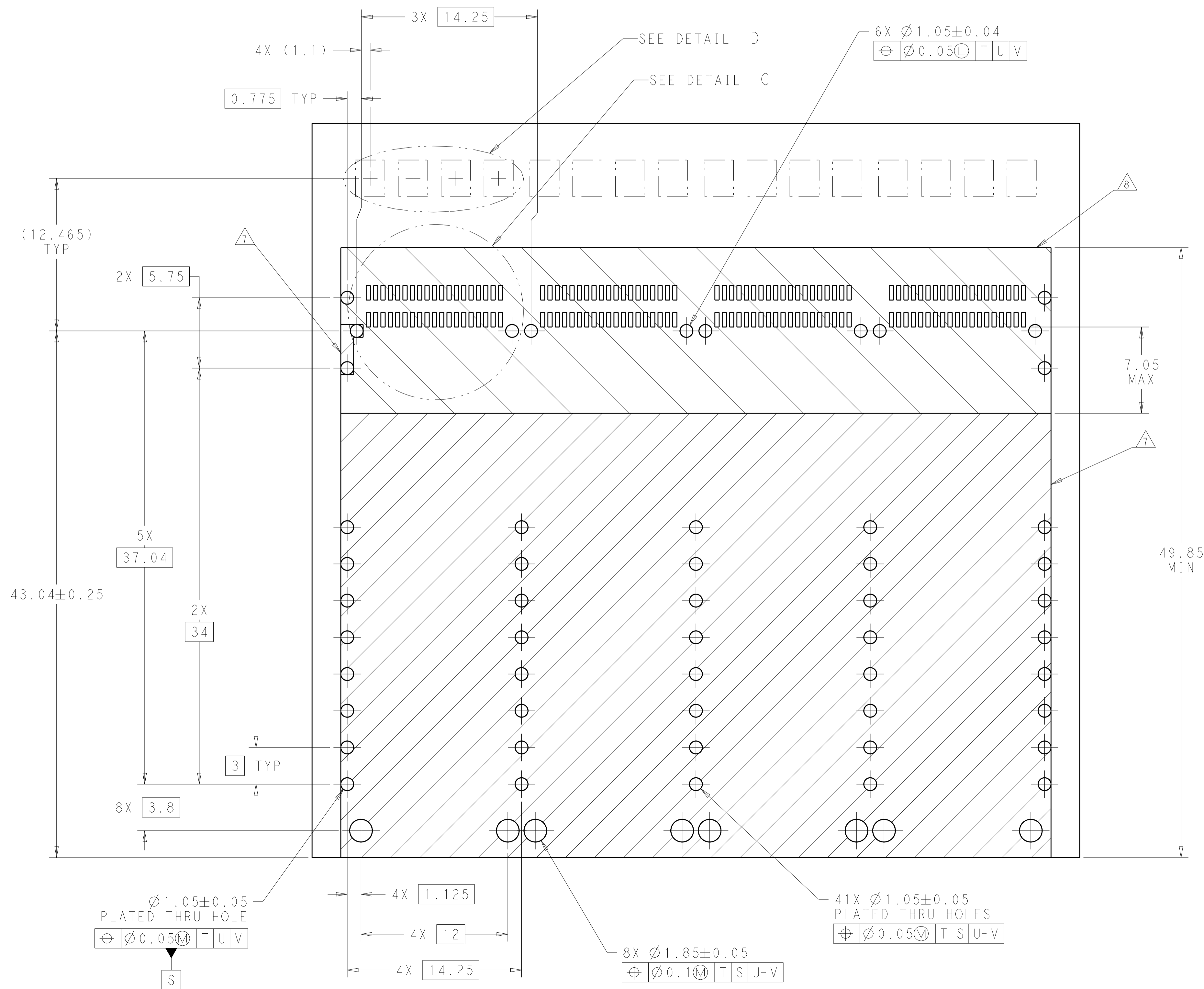
BELLY TO BELLY
 RECOMMENDED PCB LAYOUT



DETAIL C
 SCALE 10:1



DETAIL D
 SCALE 10:1



THIS DRAWING IS A CONTROLLED DOCUMENT.		DWN C. VALENTINE 12JAN2016	TE Connectivity
DIMENSIONS:		CHK E. BRIANT 12JAN2016	
mm	0 PLC ±	APVD E. BRIANT 12JAN2016	NAME CAGE ASSEMBLY, 1X4, microQSFP
	1 PLC ±	PRODUCT SPEC	SIZE
	2 PLC ±	108-32129	A1
	3 PLC ±	APPLICATION SPEC	CAGE CODE
	4 PLC ±	114-32151	DRAWING NO
MATERIAL	FINISH	WEIGHT	RESTRICTED TO
-	-	-	-
CUSTOMER DRAWING			SCALE 5:1 SHEET 6 OF 6 REV 11