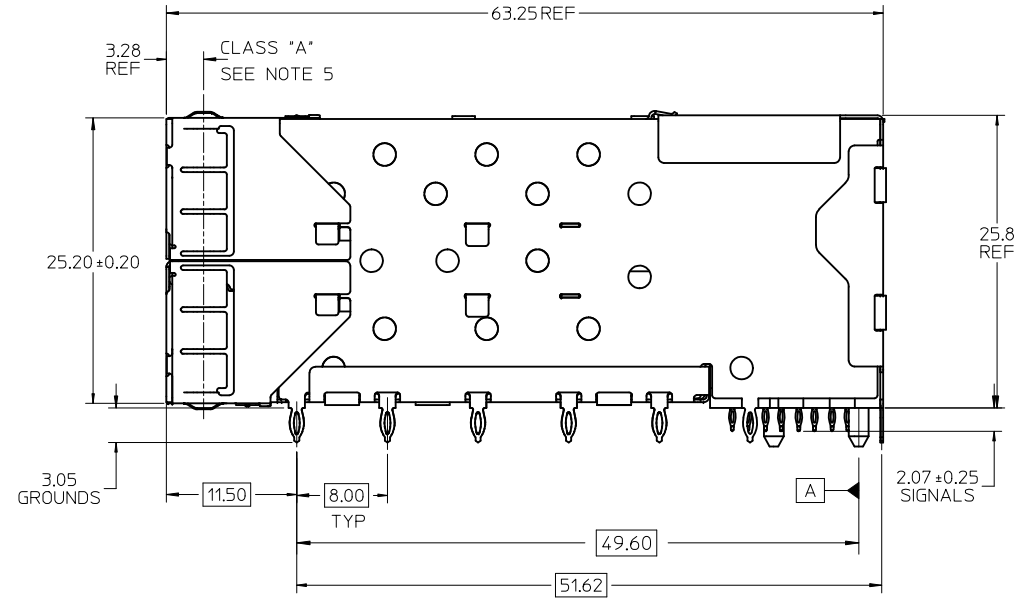
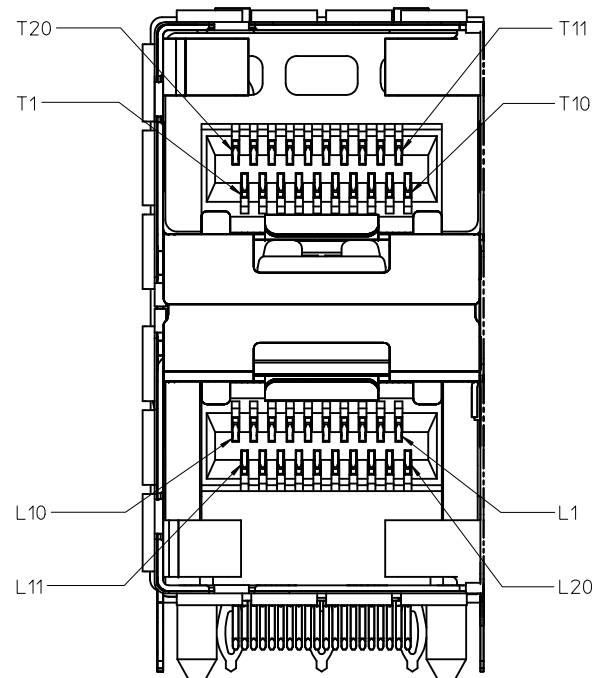
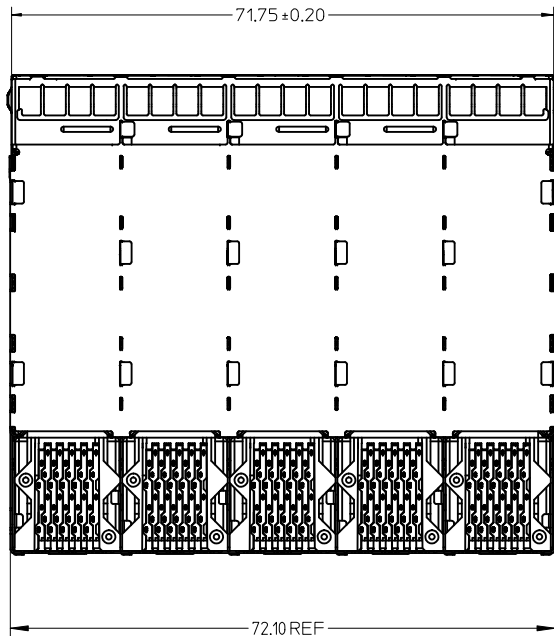
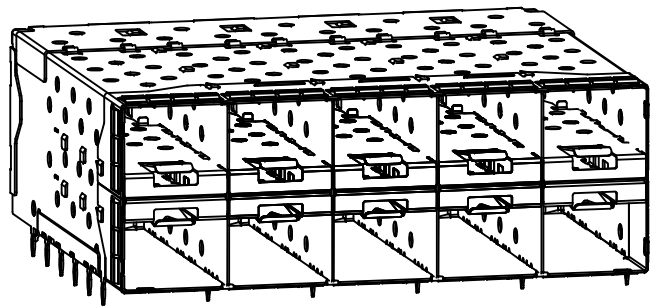


PART NUMBER	COMPLIANT TAIL PLATING
760670001	MATTE TIN / LEAD
760675001	MATTE TIN

- NOTES:
- MATERIAL:
 - CAGE: NICKEL SILVER, THICKNESS: 0.25mm
 - CONNECTOR HOUSING: GLASS FILLED LIQUID CRYSTAL POLYMER (LCP), UL 94V-0, COLOR: BLACK
 - OVERMOLD TERMINAL HOUSING: GLASS FILLED LIQUID CRYSTAL POLYMER (LCP), UL 94V-0, COLOR: BLACK
 - TERMINALS: TIN BRASS
 - EMI GASKET: CONDUCTIVE ELASTOMER
 - FINISHES:
 - TERMINALS: CONTACT AREA: 0.76 MICROMETERS MINIMUM HARD GOLD OVER 1.27 MICROMETERS MINIMUM NICKEL.
 - COMPLIANT TAIL - MATTE TIN/LEAD OPTION: 0.76 TO 1.52 MICROMETERS 90/10 MATTE TIN-LEAD OVER 0.76 MICROMETERS MINIMUM NICKEL.
 - COMPLIANT TAIL - MATTE TIN OPTION: 0.76 TO 1.52 MICROMETERS MATTE TIN OVER 0.76 MICROMETERS MINIMUM NICKEL.
 - REFER TO PS-75310-001 PRODUCT SPEC FOR ALL ELECTRICAL, MECHANICAL AND ENVIRONMENTAL SPECIFICATIONS.
 - REFER TO PK-75733-001 FOR ALL PACKAGING SPECIFICATIONS.
 - ALL EXTERIOR SURFACES TO BE CLASS 'B' SURFACES EXCEPT THE UNDER SIDE OF THE CAGE WHERE THE PCB WOULD BE LOCATED AND AS NOTED. THE SURFACES TO CONFORM TO THE MOLEX COSMETIC DOC PS-45499-002.
 - REFER TO AS-76090-001 FOR HIGH SPEED ROUTING RECOMMENDATIONS.
 - DATE CODE LOCATION IS SHOWN ABOVE.
 - DATE CODE FORMAT: DDDY MX A1
 - DDD = DAY OF THE YEAR
 - Y = YEAR
 - MX = MOLEX
 - A = ALPHA CHARACTER - INDICATES MANUFACTURING LINE
 - 1 = NUMERIC CHARACTER - INDICATES PRODUCTION SHIFT

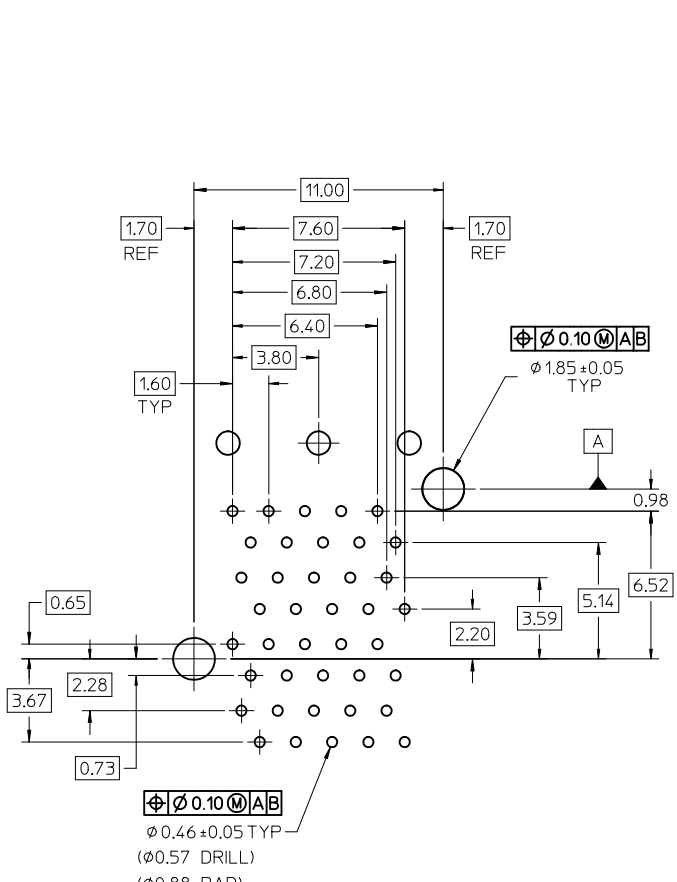


ADD NOTE 6 & 7 EC NO: UCP2011-2594 DRWN:WOLFE 2011/03/04 CHKD:BBARKER 2011/03/04 APPR:SMILLER 2011/09/20	QUALITY SYMBOLS	GENERAL TOLERANCES (UNLESS SPECIFIED)	DIMENSION STYLE MM ONLY	SCALE 3:1	DESIGN UNITS METRIC	THIRD ANGLE PROJECTION
	▽=0	mm INCH	DRAWN BY DATE MSANDBERG 10-17-2006	TITLE STACKED SFP+ 2X5 ASS'Y WITH METAL EMI GASKET	MOLEX INCORPORATED	SHEET NO. 1 OF 4
	▽=0	4 PLACES ± --- ± ---	CHECKED BY DATE JLONG 10-17-2006	DOCUMENT NO. SD-76067-001		
	▽=0	3 PLACES ± --- ± ---	APPROVED BY DATE RNELSON 10-17-2006	SIZE SEE TABLE	THIS DRAWING CONTAINS INFORMATION THAT IS PROPRIETARY TO MOLEX INCORPORATED AND SHOULD NOT BE USED WITHOUT WRITTEN PERMISSION	

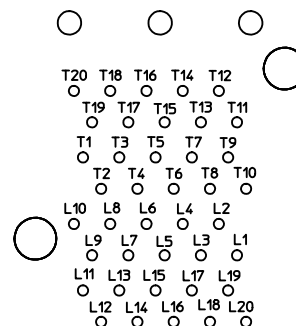


DETAIL B
SCALE 6:1
CIRCUIT NUMBERING

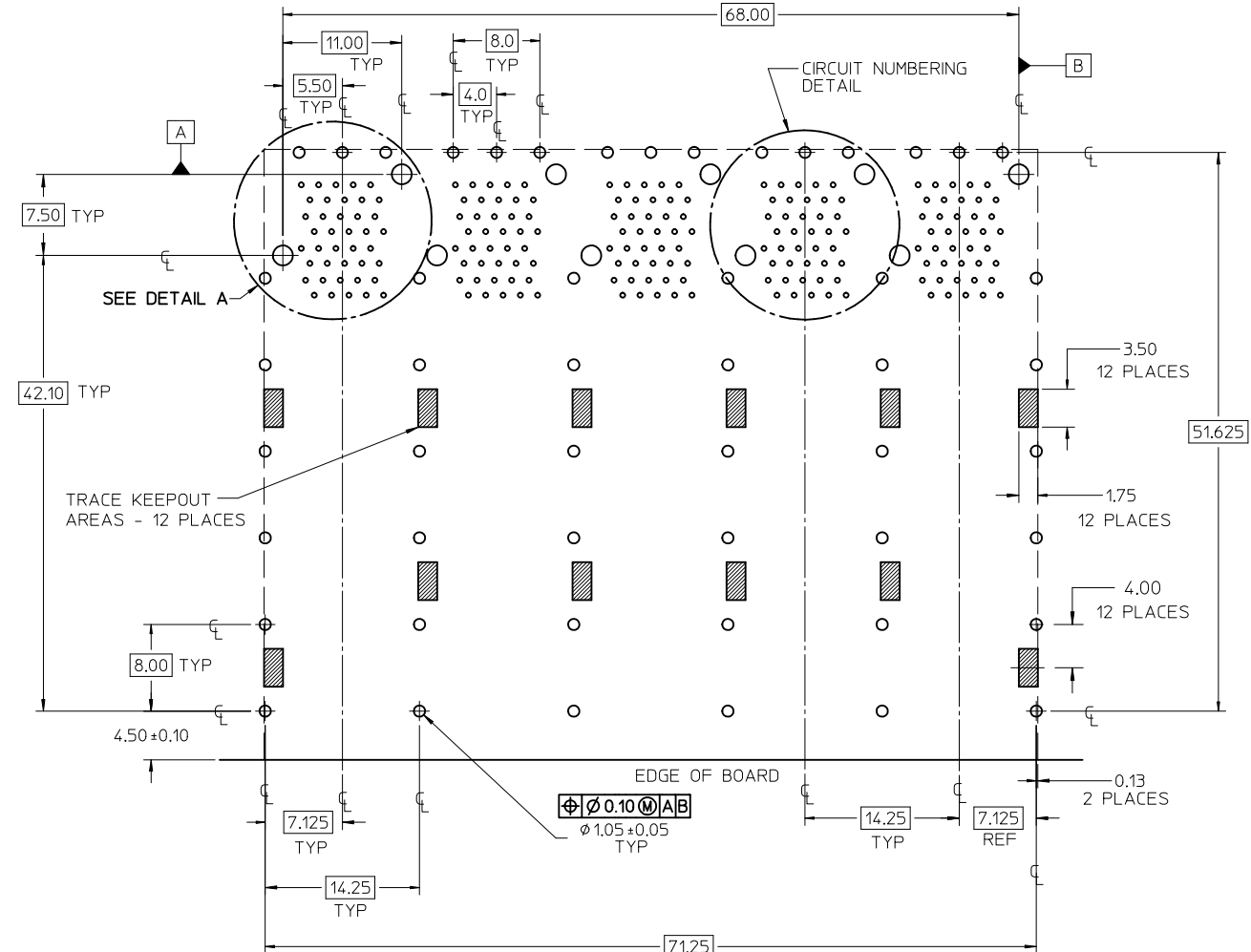
ADD DETAIL B EC NO: UCP2011-2594 TDRWINWOLFE 2011/03/04 CHKD:BBARKER 2011/03/04 APPR:SMILLER 2011/09/20	QUALITY SYMBOLS	GENERAL TOLERANCES (UNLESS SPECIFIED)	DIMENSION STYLE	SCALE	DESIGN UNITS	THIRD ANGLE PROJECTION
	▽=0	mm INCH	MM ONLY	2:1	METRIC	
	▽=0	4 PLACES ± --- ± ---	DRAWN BY DATE	TITLE	STACKED SFP+ 2X5 ASS'Y WITH METAL EMI GASKET	
	▽=0	3 PLACES ± --- ± ---	MSANDBERG 10-17-2006	CHECKED BY DATE	MOLEX INCORPORATED	
REV	DESCRIPTION	2 PLACES ± 0.13 ± ---	JLONG 10-17-2006	APPROVED BY DATE	SD-76067-001	
		1 PLACE ± 0.25 ± ---	RNELSON 10-17-2006	MATERIAL NO.	SHEET NO. 2 OF 4	
		ANGULAR ± 5 °	SEE TABLE	THIS DRAWING CONTAINS INFORMATION THAT IS PROPRIETARY TO MOLEX INCORPORATED AND SHOULD NOT BE USED WITHOUT WRITTEN PERMISSION		
DRAFT WHERE APPLICABLE MUST REMAIN WITHIN DIMENSIONS						



DETAIL A
SCALE 6:1

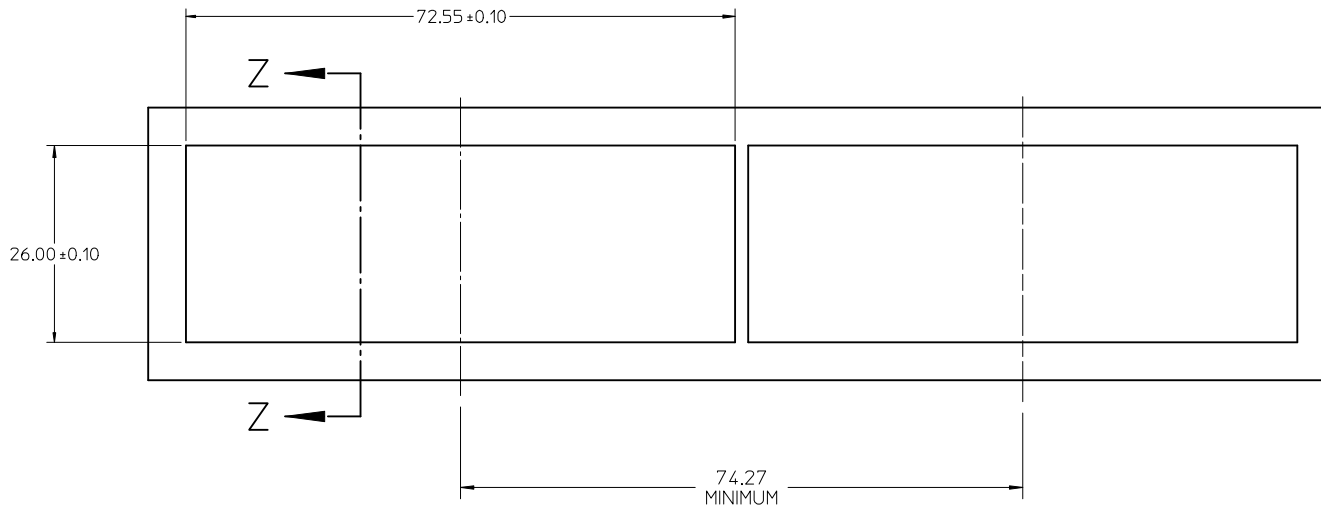


CIRCUIT NUMBERING
COMPONENT SIDE OF BOARD
SCALE 6:1

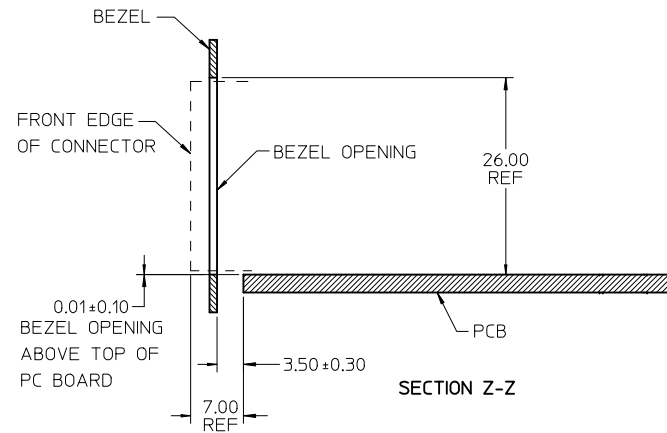


RECOMMENDED PCB LAYOUT - COMPONENT SIDE
RECOMMENDED PCB THICKNESS - 2.36 MM (.093 INCH)
 THE ENTIRE AREA OF THE CONNECTOR FOOTPRINT
 TO BE CONSIDERED THE KEEP OUT AREA FOR COMPONENTS
 THIS AREA IS INDICATED BY THE DASHED LINE

CHG DETAIL CALLOUT EC NO: UCP2011-2594 DRWN:WOLFE 2011/03/04 CHKD:BBARKER 2011/03/04 APPR:SMILLER 2011/09/20	QUALITY SYMBOLS ▽=0 ▽=0 ▽=0	GENERAL TOLERANCES (UNLESS SPECIFIED)		DIMENSION STYLE MM ONLY		SCALE 3:1	DESIGN UNITS METRIC	THIRD ANGLE PROJECTION		
		4 PLACES ± --- ± ---	mm INCH	DRAWN BY MSANDBERG	DATE 10-17-2006	TITLE STACKED SFP+ 2X5 ASS'Y WITH METAL EMI GASKET		MOLEX INCORPORATED		
		3 PLACES ± --- ± ---		CHECKED BY JLONG	DATE 10-17-2006	MATERIAL NO. SEE TABLE				
		2 PLACES ± 0.13 ± ---		APPROVED BY RNELSON	DATE 10-17-2006			SHEET NO. 3 OF 4		
DRAFT WHERE APPLICABLE MUST REMAIN WITHIN DIMENSIONS		ANGULAR ± 5 °		SIZE THIS DRAWING CONTAINS INFORMATION THAT IS PROPRIETARY TO MOLEX INCORPORATED AND SHOULD NOT BE USED WITHOUT WRITTEN PERMISSION						



BEZEL CUTOUT CENTER SPACING DETAIL
BEZEL THICKNESS 0.8-2.6



ADD SECOND BEZEL CUTOUT EC NO: UCP2011-2594 DRWN: MWOLFE 2011/03/04 CHKD: BBARKER 2011/03/04 APPR: SMILLER 2011/09/20	QUALITY SYMBOLS ▽=0 ▽=0 ▽=0	GENERAL TOLERANCES (UNLESS SPECIFIED)		DIMENSION STYLE MM ONLY	SCALE 2:1	DESIGN UNITS METRIC	THIRD ANGLE PROJECTION	
		4 PLACES ± --- ± ---	3 PLACES ± --- ± ---	DRAWN BY MSANDBERG	DATE 10-17-2006	TITLE STACKED SFP+ 2X5 ASS'Y WITH METAL EMI GASKET		
		2 PLACES ± 0.13 ± ---	1 PLACE ± 0.25 ± ---	CHECKED BY JLONG	DATE 10-17-2006			
		ANGULAR ± 5 °		APPROVED BY RNELSON		DATE 10-17-2006	MOLEX INCORPORATED DOCUMENT NO. SD-76067-001	
DRAFT WHERE APPLICABLE MUST REMAIN WITHIN DIMENSIONS		SEE TABLE		MATERIAL NO.		SHEET NO. 4 OF 4		
				SIZE		THIS DRAWING CONTAINS INFORMATION THAT IS PROPRIETARY TO MOLEX INCORPORATED AND SHOULD NOT BE USED WITHOUT WRITTEN PERMISSION		