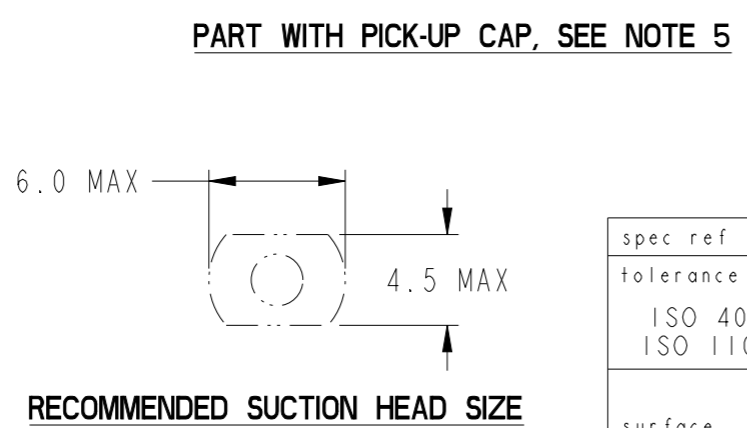
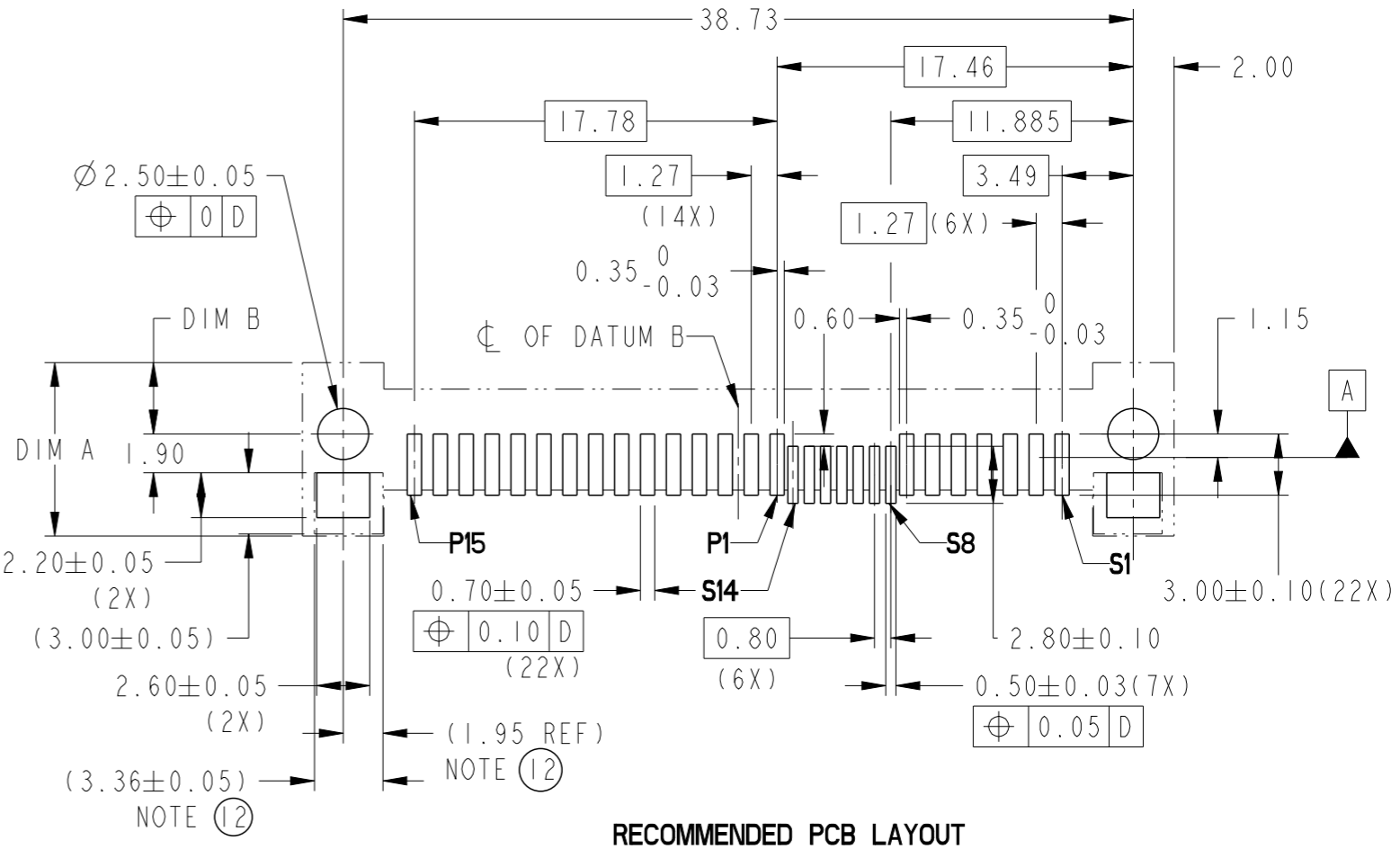
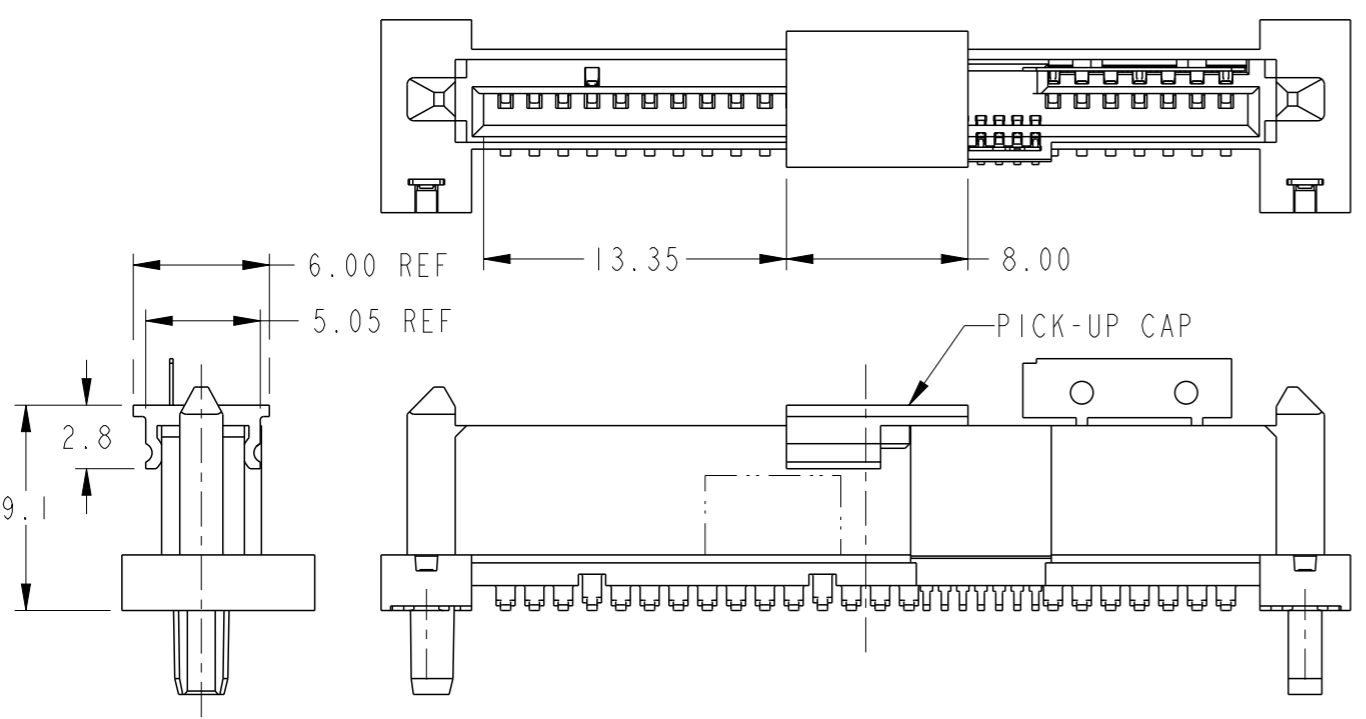


PRODUCT NO	DIM A	DIM B	DIM L	RECOMMENDED P.C. BOARD THICKNESS	PICK-UP CAP	PACKAGING	REMARK
10129678-001LF	8.50	3.50	3.7	4.57mm (0.018")	NO	TRAY	--
10129678-001CLF					YES		
10129678-001C-TRLF					YES	TAPE & REEL	
10129678-002LF	8.50	3.50	2.0	2.54mm (0.100")	NO	TRAY	--
10129678-002CLF					YES		
10129678-002C-TRLF					YES	TAPE & REEL	
10129678-003LF	7.50	2.50	0.6	1.57mm (0.062")	NO	TRAY	--
10129678-003CLF					YES		
10129678-003C-TRLF					YES	TAPE & REEL	



RECOMMENDED PCB LAYOUT
SCALE 3:1

Copyright FCI.




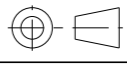
spec ref	-	dr	S Paulpandian	2014/04/06	projection	MM	size	A3	scale	3:1	
tolerance std	ISO 406 ISO 1101	eng	Koon-Poh Tay	2014/07/15			ecn no	-	rel level	Released	
surface	ISO 1302	chr	-	apppr			Chen-Hong Tan	2014/07/15		product family	SAS
linear	0.X ± 0.XX ±.10 0.XXX ±			part no	12G SAS RECEPTACLE WIDE BASE SMT TYPE ASSY		dwg no	10129678		rev	A
angular	0° ±2°	www.fci.com	cat. no.	-	Product - Customer Drw	sheet 2 of 3					

PRODUCT NUMBER

SEE TABLE

NOTES:

- 1. MATERIAL:
 - 1) HOUSING: HIGH TEMP TERMOPLASTIC, UL 94V-0
 - COLOR : BLACK
 - 2) TERMINAL: COPPER ALLOY
 - 3) HOLD DOWN: COPPER ALLOY
- 2. FINISH:
 - 1) TERMINAL: 30μ" Au PLATING (CONTACT POINT) OVER 50μ" NICKEL
 - 2) SOLDER TAIL: 50μ" MIN Sn OVER 50μ" MIN NICKEL
 - 3) HOLD DOWN: 50μ" MIN Sn OVER 50μ" MIN NICKEL
- ③ THE DIM. IS MEASURED AT P.C. BOARD SITTING PLANE
- ④ PER SFF REV 1.3 EXCEPT 0.8mm PITCH BUMP AREA
- 5. PART WITH PICK-UP CAP, P/N XXXXXXXX-XXXC LF
- 6. THE STD PACKAGING IS IN TRAY
- 7. THE TAPE & REEL PACKAGING, SUFFIX "-TR" ADDED. PRODUCT NUMBER (E.G. XXXXXXXX-XXXC-TRLF)
- 8. THE HOUSING WILL WITHSTAND EXPOSURE TO 260°C PEAK TEMPERATURE FOR 10 SECONDS IN A CONVECTION, INFRA-RED OR VAPOR PHASE REFLOW OVEN.
- ⑨ THIS PRODUCT MEETS EUROPEAN UNION DIRECTIVES AND OTHER COUNTRY REGULATIONS AS DESCRIBED IN GS-47-004.
- ⑩ PART NUMBERS ENDING IN "LF" MEANS FOR NOTE 8 LEAD FREE IDENTIFICATION
- 11. A  SYMBOL WILL BE NEXT TO ANY DIMENSION, VIEW, OR NOTE WHICH HAS BEEN MODIFIED WITH THE CURRENT DRAWING REVISION.
- ⑫ THE GROUND PAD SIZES SHOWN IN () IS THE COMPETITOR DESIGN FOR REF.

spec ref -		dr	S Paulpandian	2014/04/06	projection	MM	size	A3	scale	3:1
tolerance std		eng	Koon-Poh Tay	2014/07/15		← →	ecn no		-	
ISO 406 ISO 1101		chr	-	-			rel level		Released	
surface ✓		appr	Chen-Hong Tan	2014/07/15	product family		SAS	rev		A
ISO 1302		linear		0.X	± -	12G SAS RECEPTACLE		10129678		
		angular		0°	± 2°	WIDE BASE SMT TYPE ASSY				
		www.fci.com		cat. no.	-	Product - Customer Drw		sheet 3 of 3		



Copyright FCI.