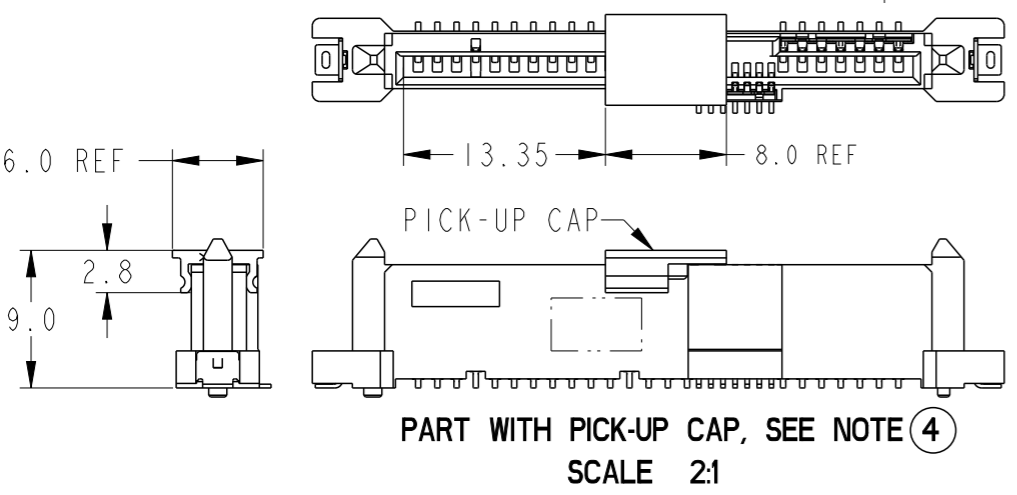
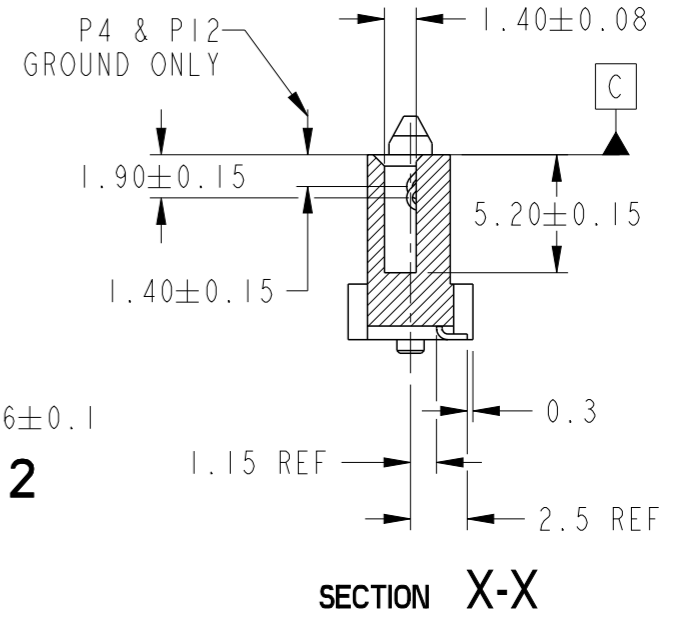
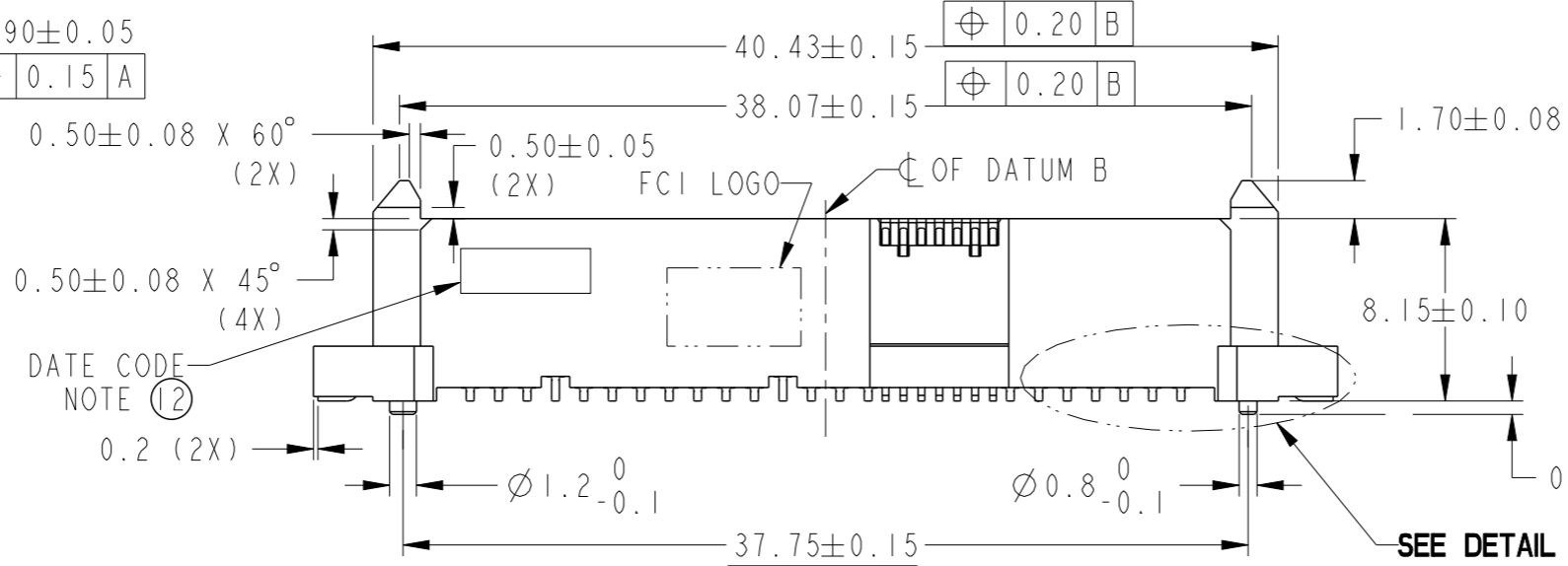
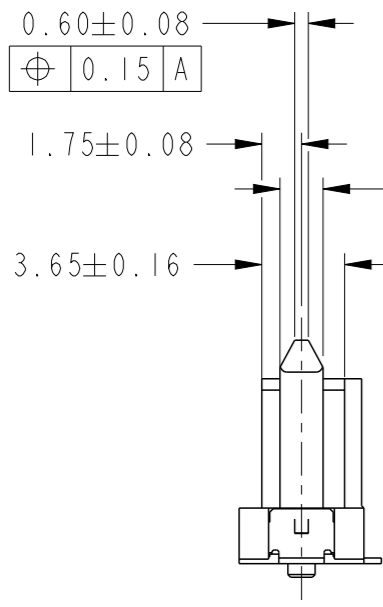
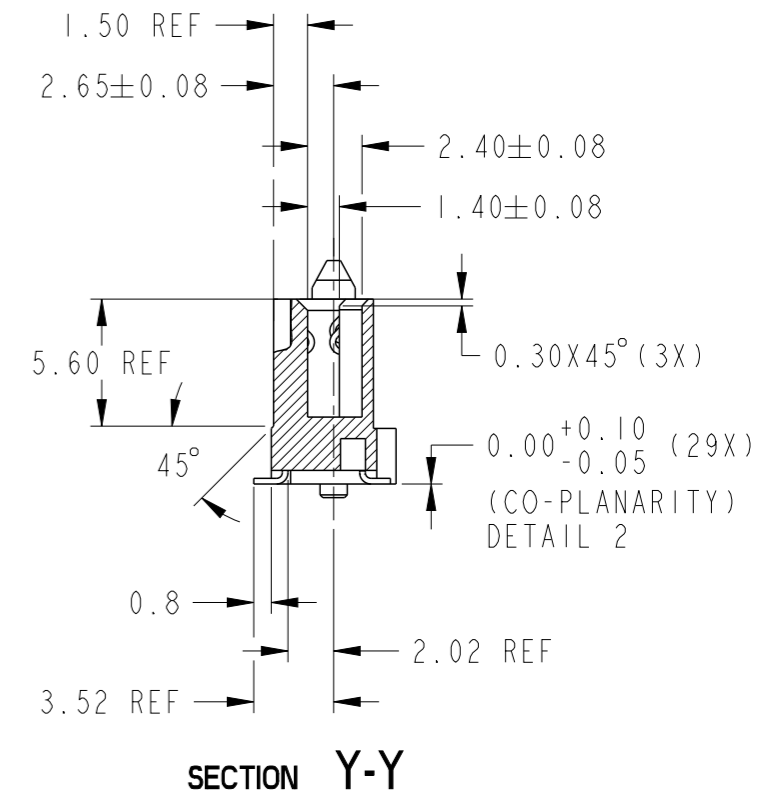
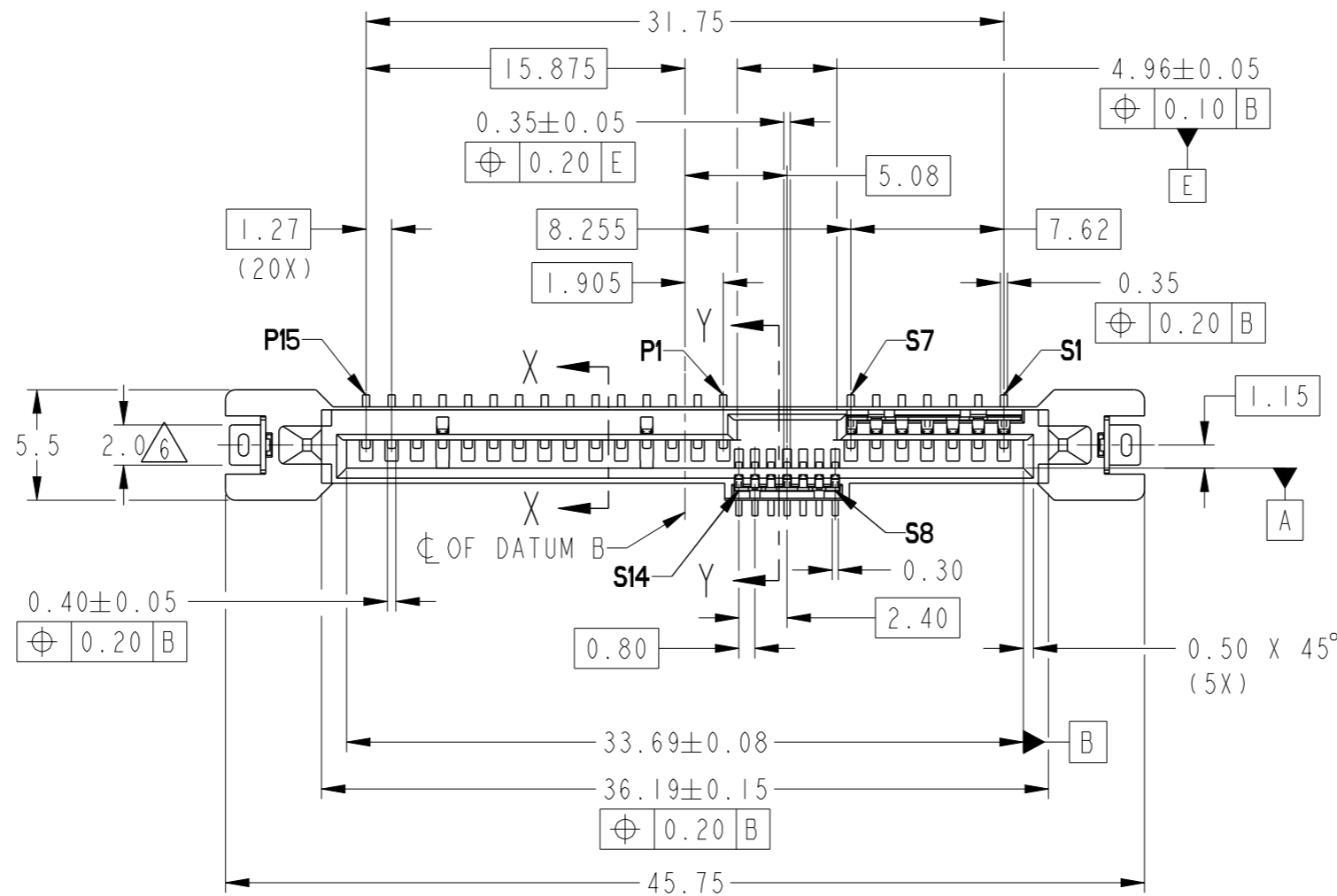


PRODUCT NUMBER  
SEE TABLE



spec ref	-	dr	Roger Ng	2012/11/15	projection	mm	size	A3	scale	3:1
tolerance std	ISO 406 ISO 1101	eng	Noorhazlinda,	2018/05/28			ecn no	ELX-M-30284-1	rel level	Released
TOLERANCES UNLESS OTHERWISE SPECIFIED		chr	-	app			Koon-Poh Tay	2018/06/07		
surface	linear	0.X	±0.3		<b>Amphenol FCI</b>		dwg no	10120818	rev	D
	ISO 1302	angular	0°		±2°	12G SAS RECEPTACLE VERTICAL SMT TYPE ASSY				

spec ref	-	dr	Roger Ng	2012/11/15	projection	mm	size	A3	scale	3:1
tolerance std	ISO 406 ISO 1101	eng	Noorhazlinda,	2018/05/28			ecn no	ELX-M-30284-1	rel level	Released
TOLERANCES UNLESS OTHERWISE SPECIFIED		chr	-	app			Koon-Poh Tay	2018/06/07		
surface	linear	0.X	±0.3		<b>Amphenol FCI</b>		dwg no	10120818	rev	D
	ISO 1302	angular	0°		±2°	12G SAS RECEPTACLE VERTICAL SMT TYPE ASSY				

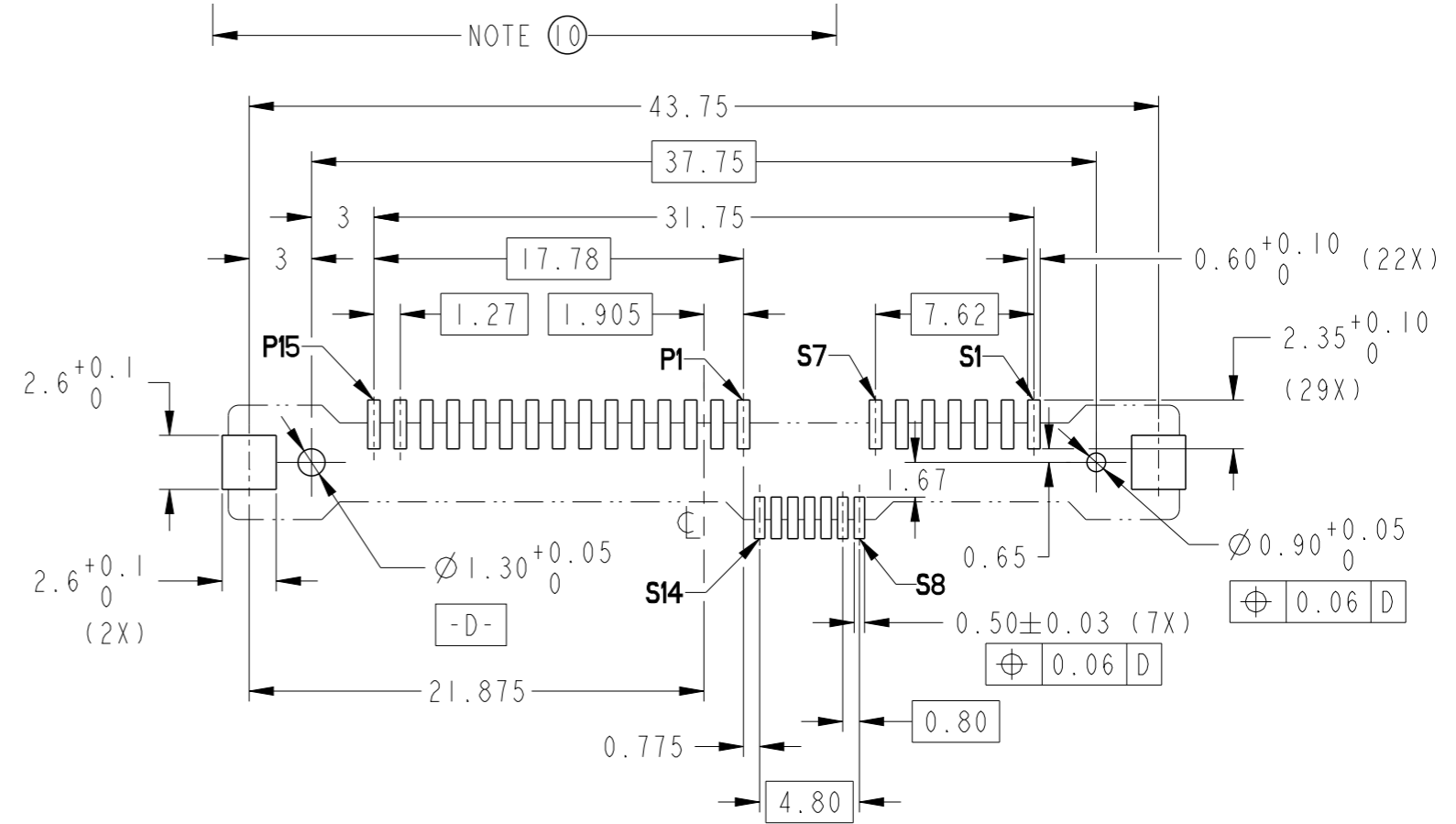
Amphenol FCI

© 2016 AFCI

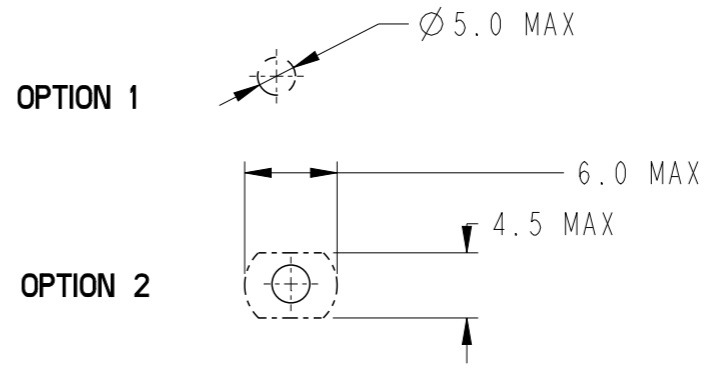
PRODUCT NUMBER	METAL CLIP	PLATING	PICK-UP CAP	PACKAGING	REMARKS	PRODUCT NUMBER	PLATING
10120818-001LF	2 PCS	NOTE ②	NO	TRAY	NOTE ⑧	10120818-401LF	NOTE ⑩
10120818-001CLF			YES		NOTE ④ & ⑧	10120818-401CLF	
10120818-001C-TRLF			YES	TAPE & REEL	NOTE ④ ⑥ & ⑧	10120818-401C-TRLF	

NOTES:

- MATERIAL :  
 1) HOUSING : HIGH TEMP THERMOPLASTIC, UL 94V-0  
 COLOR : BLACK  
 2) TERMINAL : COPPER ALLOY  
 3) HOLD DOWN : COPPER ALLOY
- FINISH :  
 1) TERMINAL : 30μ" Au PLATING (CONTACT POINT) OVER 50μ" NICKEL  
 2) SOLDER TAIL : 100μ" MIN Sn OVER 50μ" NICKEL  
 3) HOLD DOWN : 100μ" MIN Sn OVER 50μ" NICKEL
- PER SFF REV 1.1, EXCEPT 0.8mm PITCH BUMP AREA.
- PART WITH PICK-UP CAP, P/N XXXXXXXX-XXXCLF.
- THE STD PACKAGING IS IN TRAY UNLESS OTHERWISE SPECIFIED.
- PART NUMBER WITH SUFFIX "-TR" MEANS FOR TAPE & REEL PACKAGING (E.G. P/N: XXXXXXXX-XXXC-TRLF).
- THE HOUSING WILL WITHSTAND EXPOSURE TO 260°C PEAK TEMPERATURE FOR 10 SECONDS IN A CONVECTION, INFRA-RED OR VAPOR PHASE REFLOW OVEN.
- THIS PRODUCT MEETS EUROPEAN UNION DIRECTIVES AND OTHER COUNTRY REGULATIONS AS DESCRIBED IN GS-47-0004.
- PART NUMBERS ENDING IN "LF" MEANS FOR NOTE 8 LEAD FREE IDENTIFICATION
- FINISH :  
 1) TERMINAL : 15μ" GXT PLATING (CONTACT POINT) OVER 50μ" NICKEL  
 2) SOLDER TAIL : 100μ" MIN Sn OVER 50μ" NICKEL  
 3) HOLD DOWN : 100μ" MIN Sn OVER 50μ" NICKEL
- FINISH :  
 1) TERMINAL : 30μ" GXT PLATING (CONTACT POINT) OVER 50μ" NICKEL  
 2) SOLDER TAIL : 100μ" MIN Sn OVER 50μ" NICKEL  
 3) HOLD DOWN : 100μ" MIN Sn OVER 50μ" NICKEL
- A  $\triangle$  SYMBOL WILL BE NEXT TO ANY DIMENSION, VIEW, OR NOTE WHICH HAS BEEN MODIFIED WITH THE CURRENT DRAWING REVISION.



RECOMMENDED PCB LAYOUT



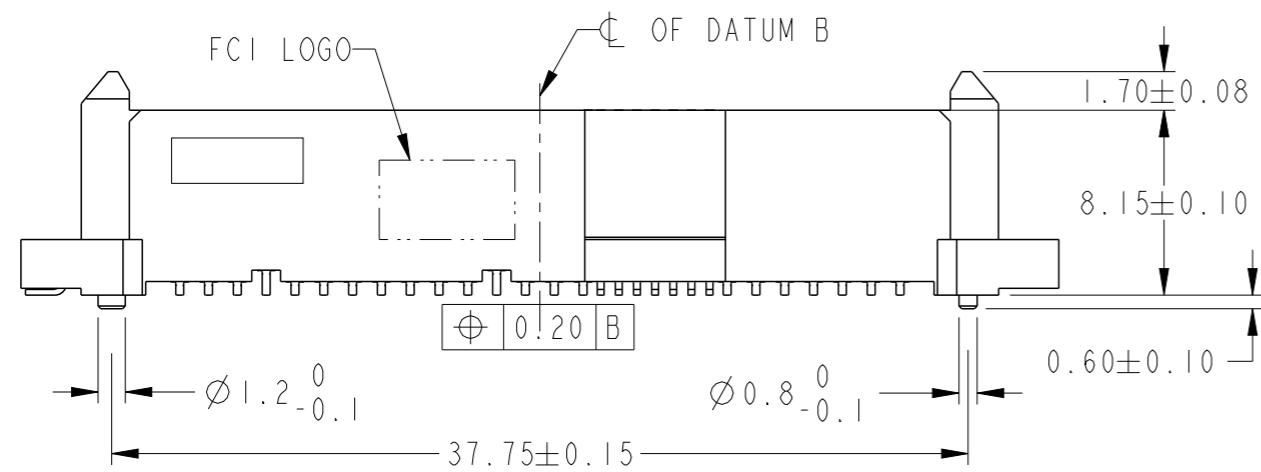
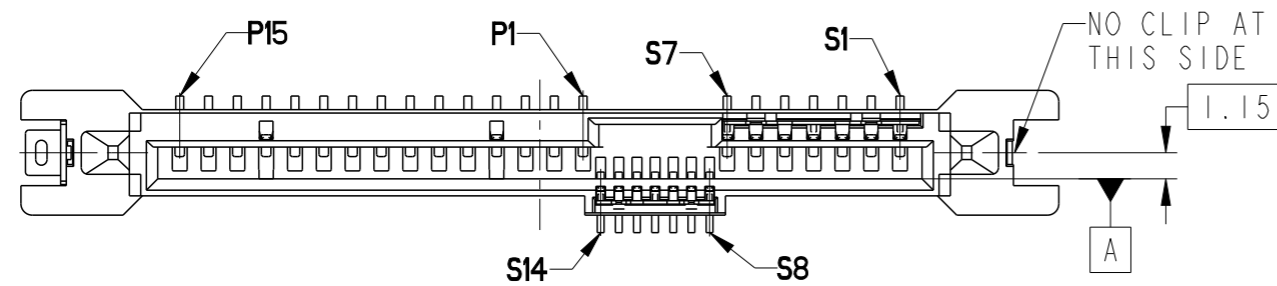
RECOMMENDED SUCTION HEAD SIZE

13. DATE CODE LOCATION. DATE CODE NO. YYWW (E.G. 14225)

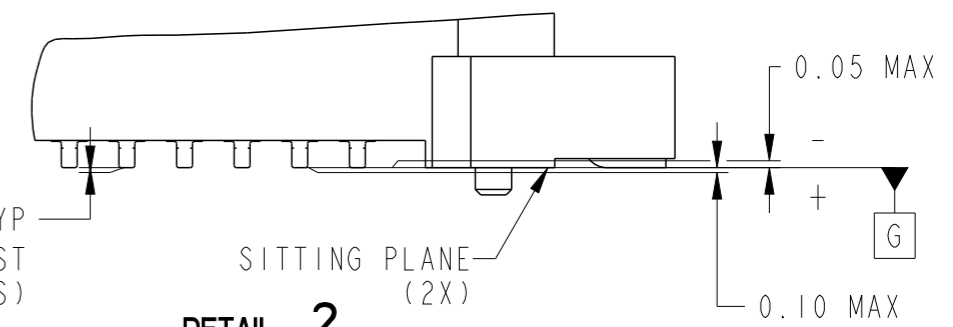
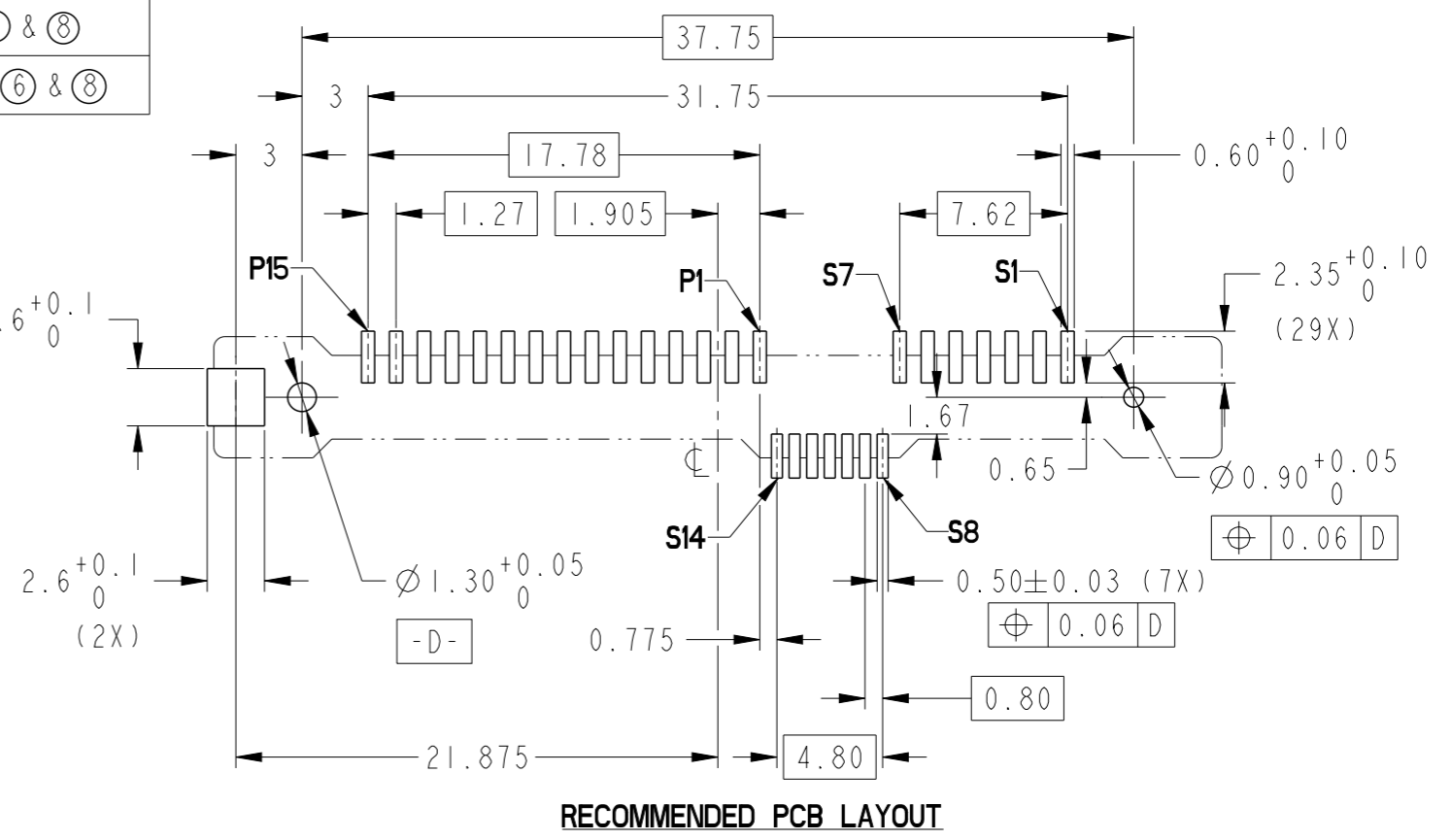
spec ref	-	dr	Roger Ng	2012/11/15	projection	mm	size	A3	scale	3:1
tolerance std	ISO 406 ISO 1101	eng	Noorhazlinda,	2018/05/28		← →	ecn no	ELX-M-30284-1		
surface	linear	chr	-	appr			Koon-Poh Tay	2018/06/07	rel level	Released
	angular	0°	±2°	product family			-	rel level	Released	
		0.X	±0.3	Amphenol FCI			dwg no	10120818		
		0.XX	±0.20	12G SAS RECEPTACLE			rev	D		
		0.XXX	±0.10	VERTICAL SMT TYPE ASSY			cat. no.	-		
		0°	±2°	Product - Customer Drw			sheet 2 of 3			

Amphenol FCI © 2016 AFCI

PRODUCT NUMBER	METAL CLIP	PLATING	PICK-UP CAP	PACKAGING	REMARKS
10120818-002LF	1 PCS	NOTE ②	NO	TRAY	NOTE ⑧
10120818-002CLF			YES		NOTE ④ & ⑧
10120818-002C-TRLF			YES		TAPE & REEL
10120818-402LF		NOTE ⑩	NO	TRAY	NOTE ⑧
10120818-402CLF			YES		NOTE ④ & ⑧
10120818-402C-TRLF			YES		TAPE & REEL
10120818-502LF		NOTE ⑪	NO	TRAY	NOTE ⑧
10120818-502CLF			YES		NOTE ④ & ⑧
10120818-502C-TRLF			YES		TAPE & REEL



ALL OTHER DIMENSIONS, REFER TO SHEET 1



DETAIL 2  
SCALE 6:1

spec ref	-	dr	Roger Ng	2012/11/15	projection	mm	size	A3	scale	3:1
tolerance std	ISO 406 ISO 1101	eng	Noorhazinda,	2018/05/28			ecn no	ELX-M-30284-1	rel level	Released
surface	linear	chr	-	apppr			Koon-Poh Tay	2018/06/07		product family
	angular	0°	±2°			12G SAS RECEPTACLE VERTICAL SMT TYPE ASSY		dwg no 10120818	rev D	
ISO 1302		cat. no.		-		Product - Customer Drw		sheet 3 of 3		