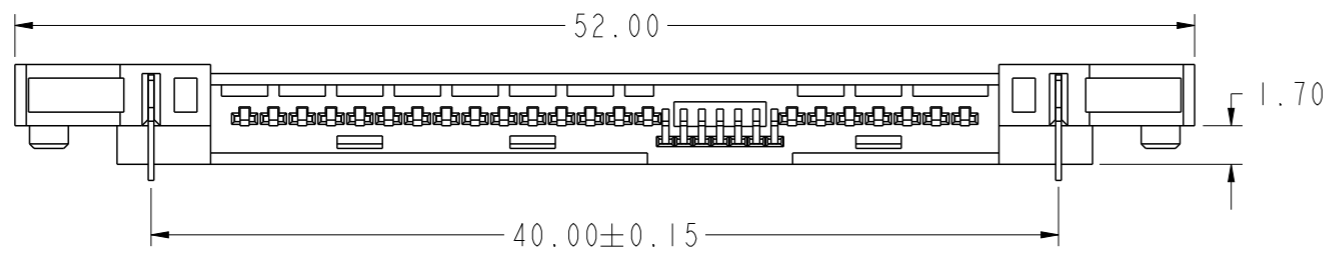
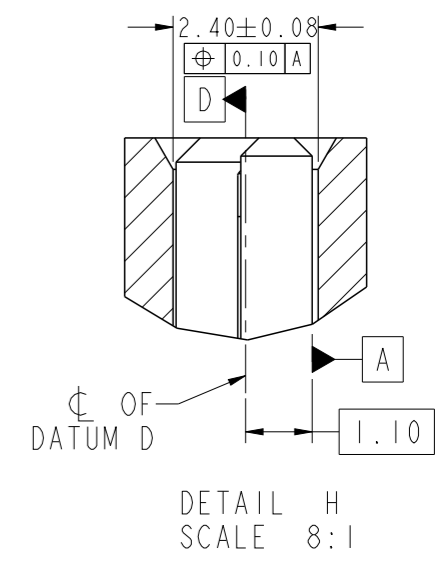
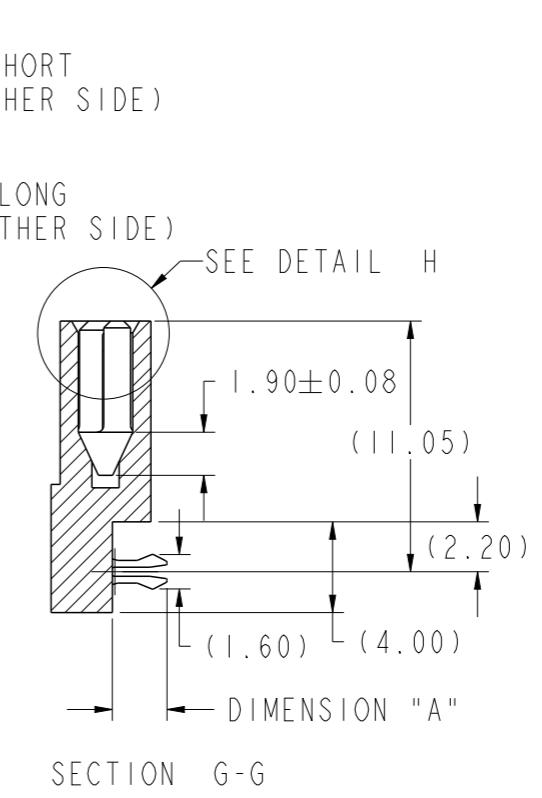
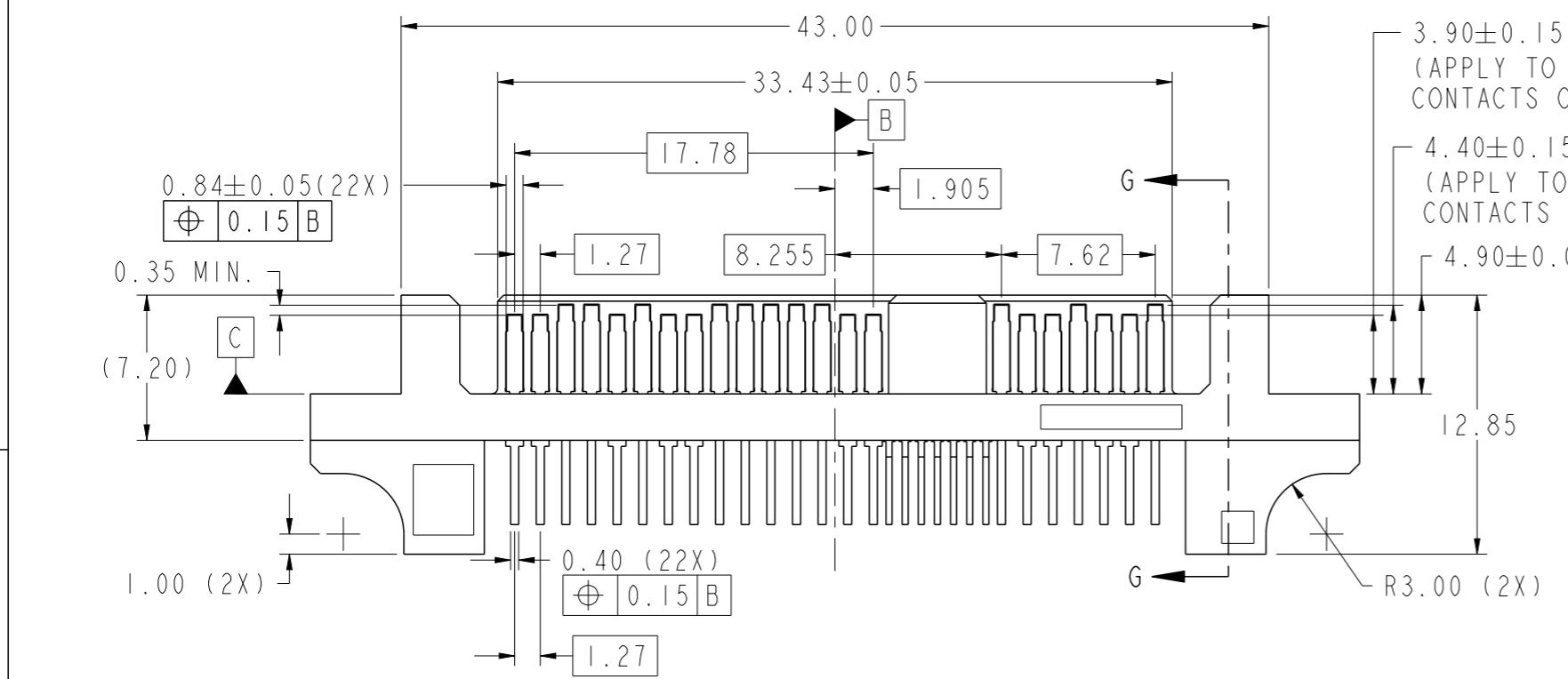
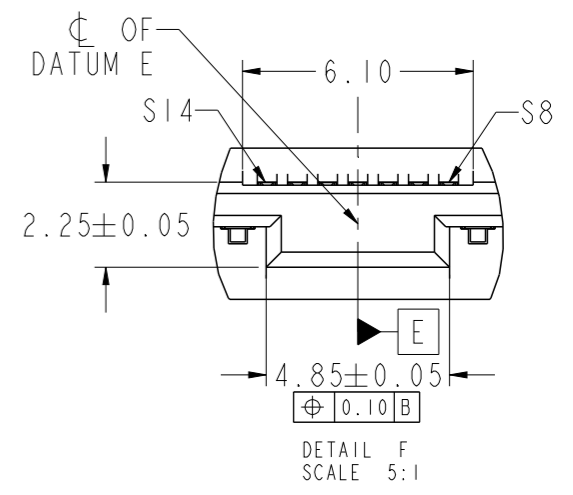
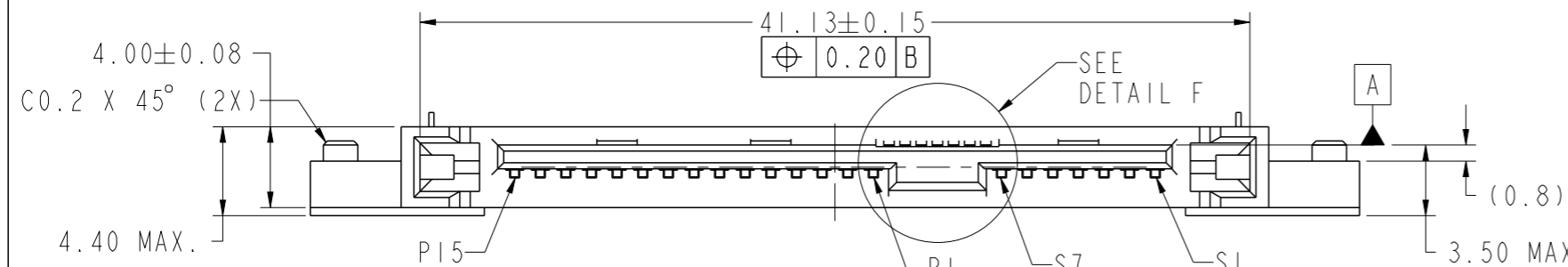


PRODUCT NO.
 10034524-001LF
 10034524-001C-TRLF
 10034524-002LF
 10034524-003C-TRLF
 10034524-004C-TRLF
 10034524-013TRLF

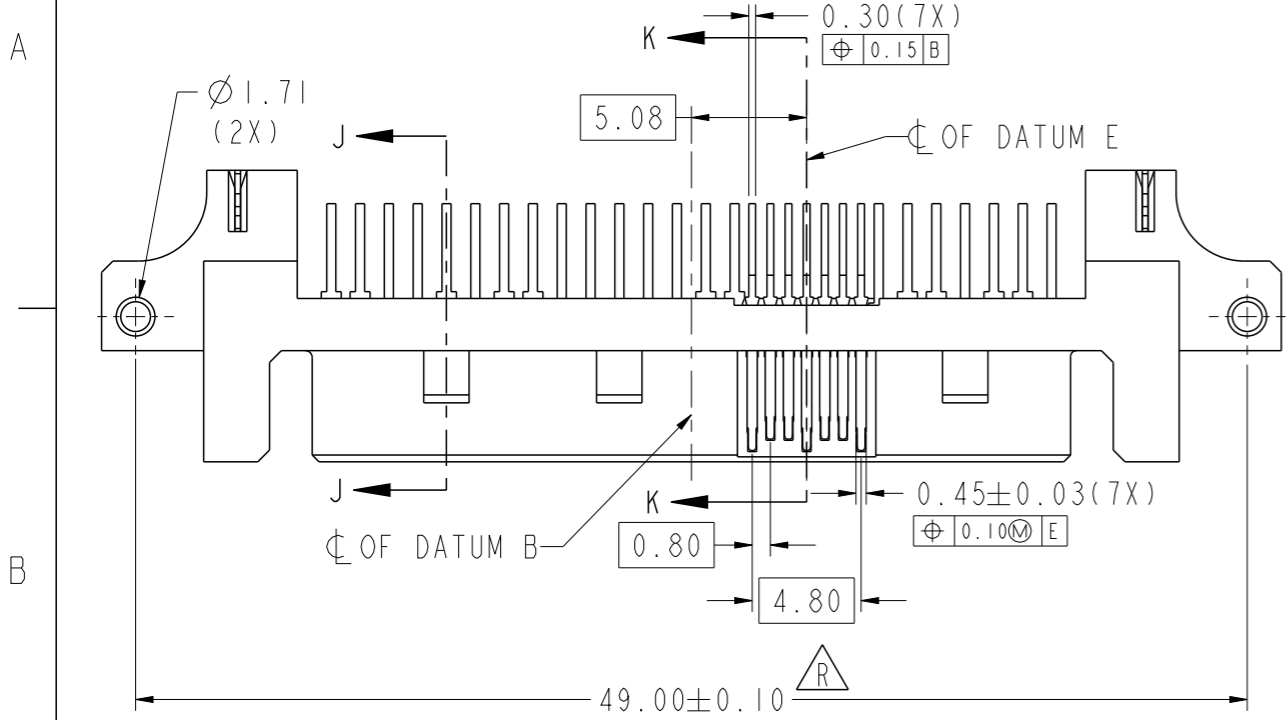


Amphenol FCI

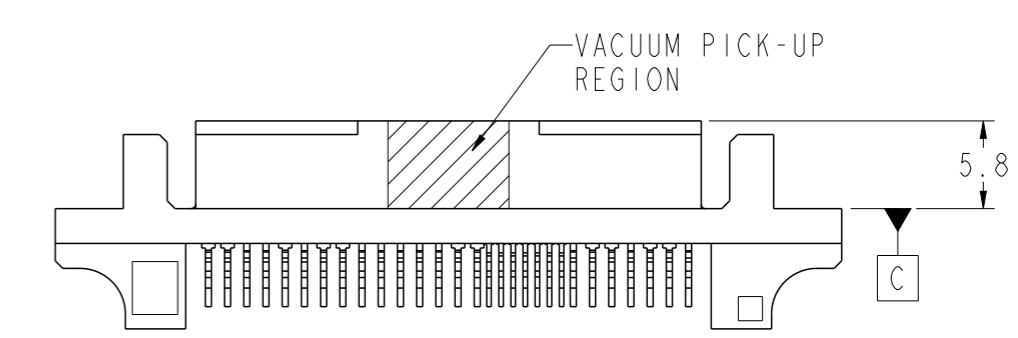
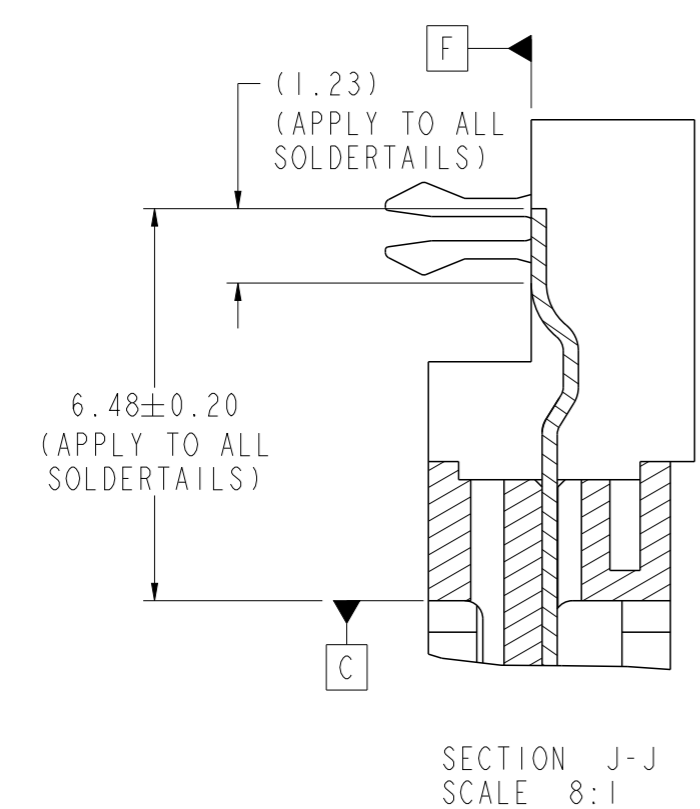
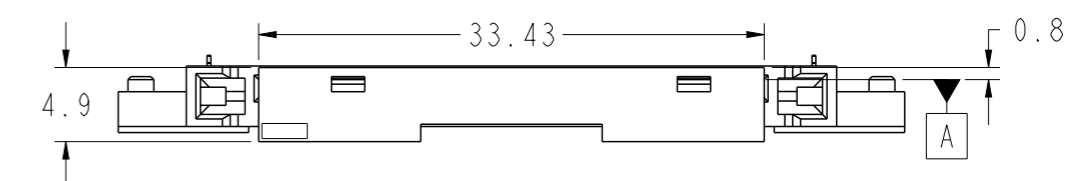
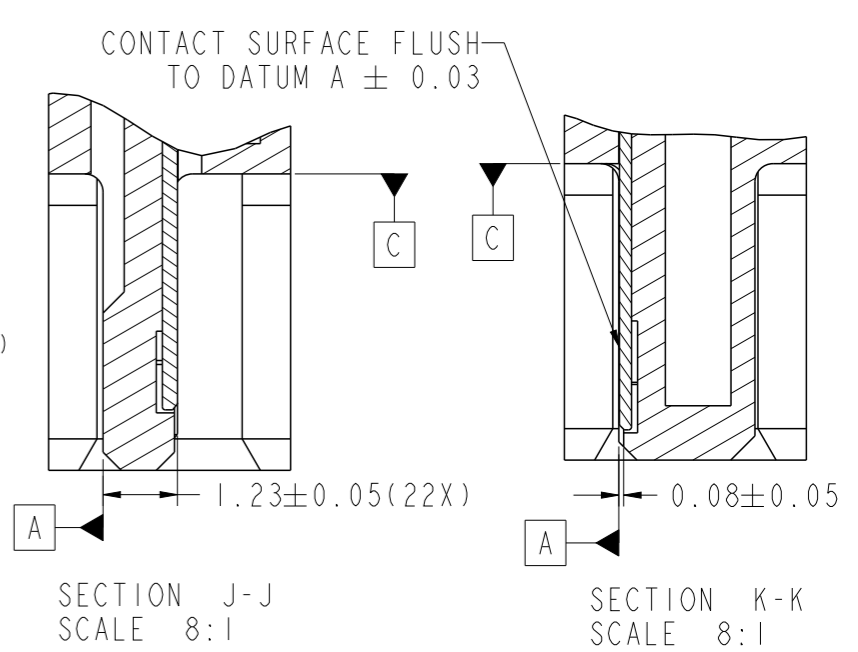
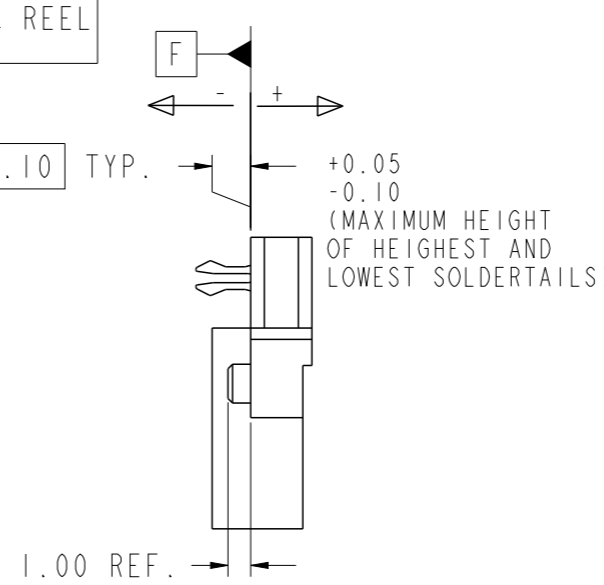
© 2016 AFCI

spec ref	dr	wcadmin	2010/07/16	projection	MM	size	A3	scale	3:1																
tolerance std	eng	Jeffrey Lim	2016/09/22			ecn no	ELX-S-24900-1																		
ASME Y14.5	chr	-	-			rel level	Released																		
surface	appr	Koon-Poh Tay	2016/10/06	product family		dwg no	10034524		rev																
ASME Y14.5	Amphenol FCI		SAS PLUG R/A		cat. no.		Product - Customer Drw		sheet 1 of 4																
<table border="1"> <tr> <td>linear</td> <td>0.X</td> <td>±</td> <td>-</td> </tr> <tr> <td></td> <td>0.XX</td> <td colspan="2">±0.20</td> </tr> <tr> <td></td> <td>0.XXX</td> <td>±</td> <td>-</td> </tr> <tr> <td>angular</td> <td>0°</td> <td colspan="2">±2°</td> </tr> </table>	linear	0.X	±	-		0.XX	±0.20			0.XXX	±	-	angular	0°	±2°		TYPE ASSY, Z-HT. 0.80								R
linear	0.X	±	-																						
	0.XX	±0.20																							
	0.XXX	±	-																						
angular	0°	±2°																							

PRODUCT NO.	PCB THICKNESS	DIMENSION "A" WITH ADHESIVE TAPE WITH COVER	PACKAGING
10034524-001LF	1.60	2.40±0.15	NO TRAY
10034524-001C-TRLF			YES TAPE & REEL
10034524-002LF	1.20	2.00±0.15	NO TRAY
10034524-003C-TRLF			YES TAPE & REEL
10034524-004C-TRLF	1.20	2.00±0.15	YES TAPE & REEL
10034524-013TRLF			YES TAPE & REEL



0.10 TYP.

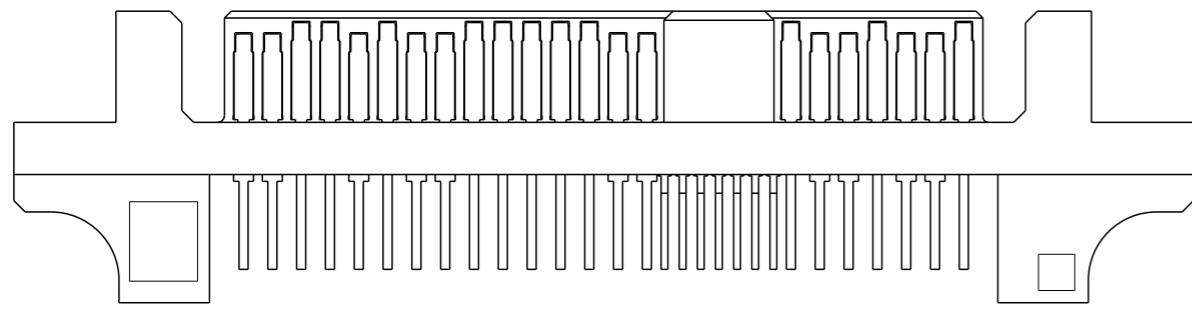


SCALE 2:1
FOR 10034524-001C-TRLF

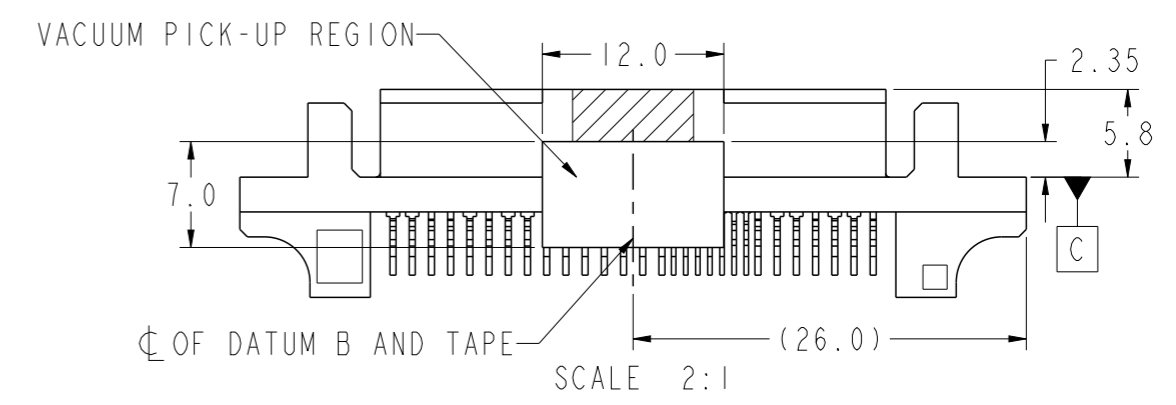
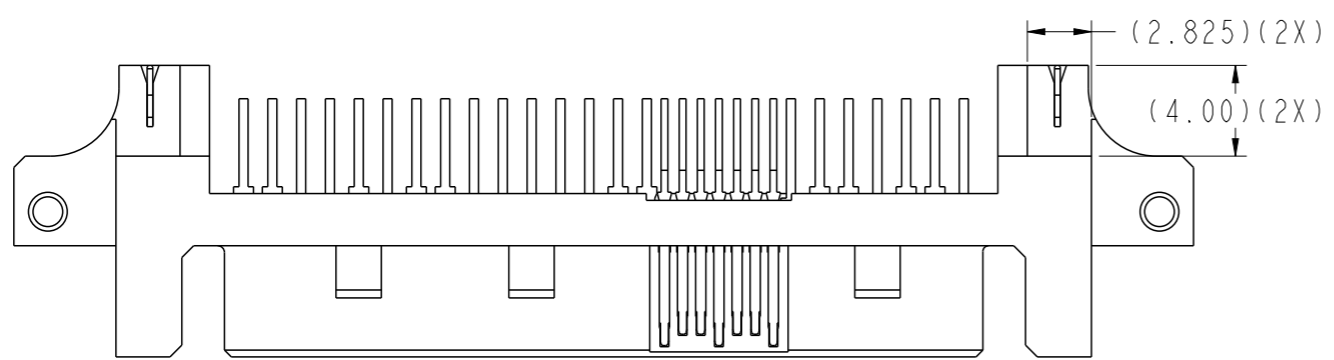
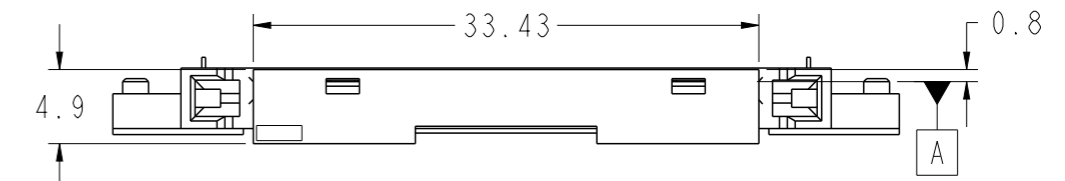
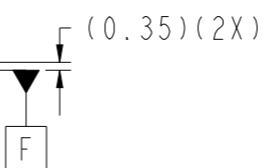
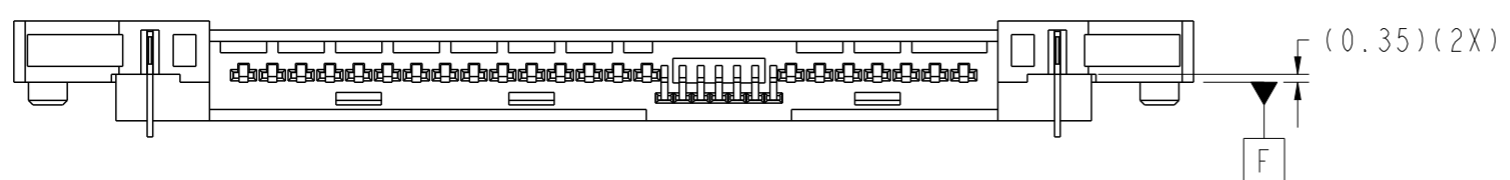
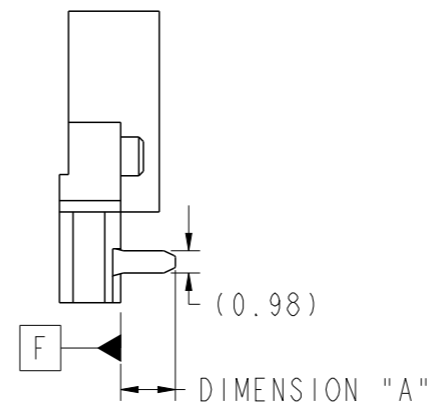
Amphenol FCI
© 2016 AFCI

spec ref	dr	wcadmin	2010/07/16	projection	MM	size	A3	scale	3:1
tolerance std	eng	Jeffrey Lim	2016/09/22			ecn no	ELX-S-24900-1	rel level	Released
ASME Y14.5	chr	-	-						
	appr	Koon-Poh Tay	2016/10/06	product family		dwg no		10034524	
surface	linear	0.X	±	Amphenol FCI SAS PLUG R/A TYPE ASSY, Z-HT. 0.80		cat. no.		Product - Customer Drw	
ASME Y14.5	angular	0.XX	±0.20						
		0.XXX	±						
		0°	±2°						

PRODUCT NO.
 10034524-003C-TRLF
 10034524-004C-TRLF
 10034524-013TRLF



SCALE 3:1



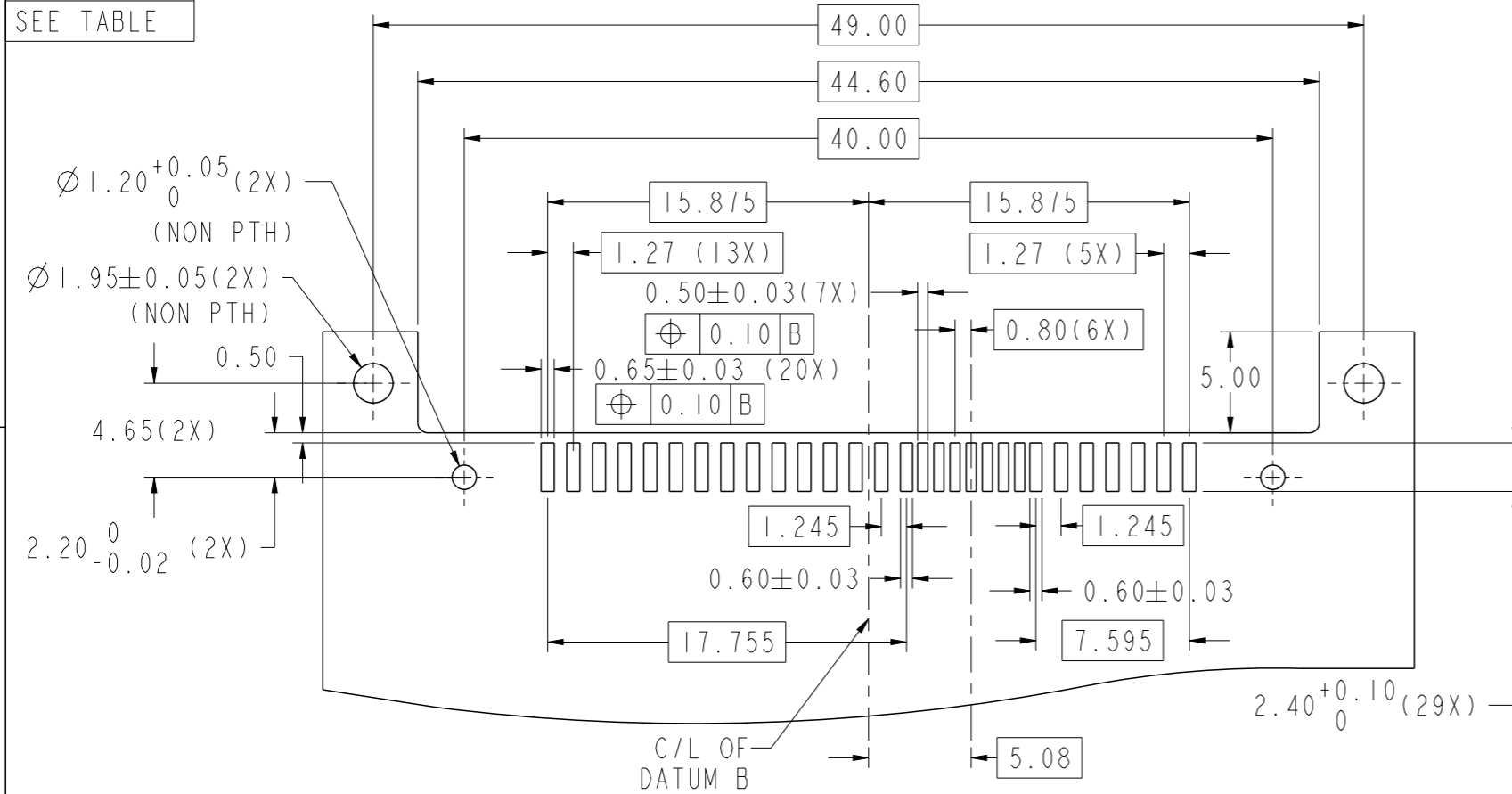
WITH ADHESIVE TAPE AND COVER ATTACHED
 (FOR 10034524-003C/-004C-TRLF)

Amphenol
FCi

© 2016 AFCI

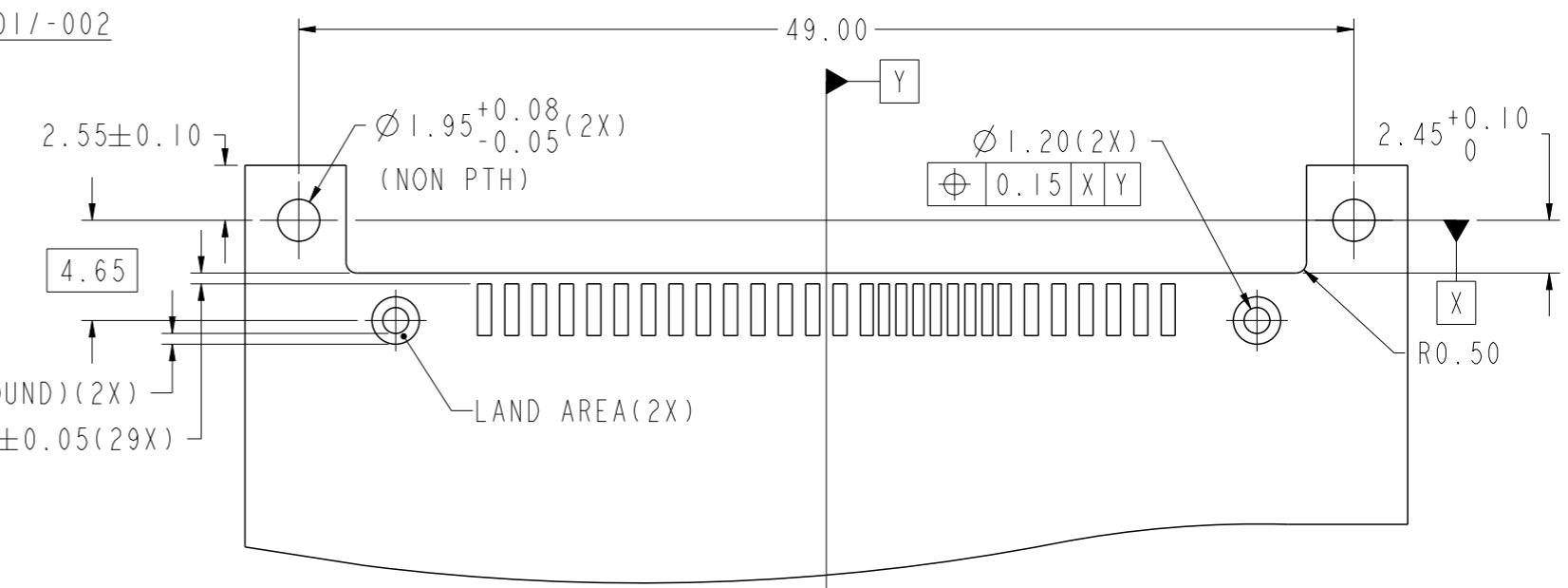
spec ref		dr	wcadmin	2010/07/16	projection	MM	size	A3	scale	1:1
tolerance std		eng	Jeffrey Lim	2016/09/22			ecn no	ELX-S-24900-1		
ASME Y14.5		chr	-	-				rel level	Released	
surface		appr	Koon-Poh Tay	2016/10/06	product family		-	dwg no	10034524	rev
ASME Y14.5		Amphenol FCI		SAS PLUG R/A						R
linear 0.X ±- 0.XX ±0.20 0.XXX ±- angular 0° ±2°		TYPE ASSY, Z-HT. 0.80		cat. no.		-		Product - Customer Drw		sheet 3 of 4

PRODUCT NO.
SEE TABLE



SCALE 3:1

RECOMMENDED PAD LAYOUT FOR 10034524-0011/-002



SCALE 3:1

RECOMMENDED PAD LAYOUT FOR 10034524-0031/-0041/-013(GENERAL TOLERANCE: ±0.08)
(FOR MORE DIMENSIONS, REFER TO PAD LAYOUT FOR 10034524-0011/-002)

- NOTES:
- MATERIAL:
HOUSING & COVER: HIGH TEMPERATURE PLASTIC, BLACK, UL94V-0
CONTACT & HOLD DOWN: COPPER ALLOY
ADHESIVE TAPE: POLYIMIDE
 - FINISH:
CONTACT: 1.27um Min. NICKEL UNDERPLATE OVERALL,
1.91um Min. 100% MATTE TIN(LEAD-FREE) ON SOLDER TAIL,
0.76um Min. GOLD ON CONTACT AREA
HOLD DOWN: 1.91um Min. 100% MATTE TIN(LEAD-FREE) OVER
1.27um Min. NICKEL UNDERPLATE OVERALL
 - RECOMMENDED PCB THICKNESS: 1.20 & 1.60mm
 - PRODUCT SPECIFICATION: GS-12-282
 - PACKAGING SPECIFICATION: GS-14-952(TRAY); GS-14-1038(TAPE & REEL)
 - THIS PRODUCT MEETS EUROPEAN UNION DIRECTIVES AND OTHER
COUNTRY REGULATIONS AS DESCRIBED IN GS-47-0004
 - THE HOUSING WILL WITHSTAND EXPOSURE TO 260°C PEAK
TEMPERATURE FOR 10 SECONDS IN A CONVECTION, INFRA-RED
OR VAPOR PHASE REFLOW OVEN
 - A SYMBOL \triangle WILL BE NEXT TO ANY DIMENSION, VIEW OR NOTE WHICH
HAS BEEN MODIFIED WITH THE CURRENT DRAWING REVISION

spec ref	dr	wcadmin	2010/07/16	projection	MM	size	A3	scale	1:1
tolerance std	eng	Jeffrey Lim	2016/09/22			ecn no	ELX-S-24900-1	rel level	Released
ASME Y14.5	chr	-	2016/10/06						
surface	linear	0.X	±-			dwg no	10034524	rev	R
ASME Y14.5	angular	0.XX	±0.20						
		0.XXX	±-	SAS PLUG R/A					
		0°	±2°	TYPE ASSY, Z-HT. 0.80					
				Product - Customer Drw		sheet 4 of 4			