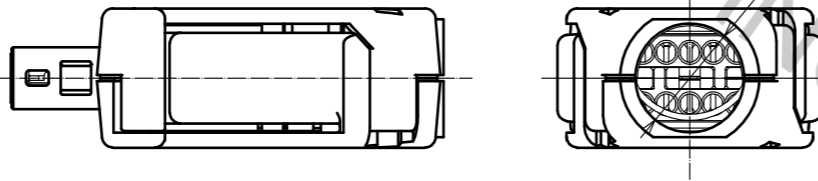
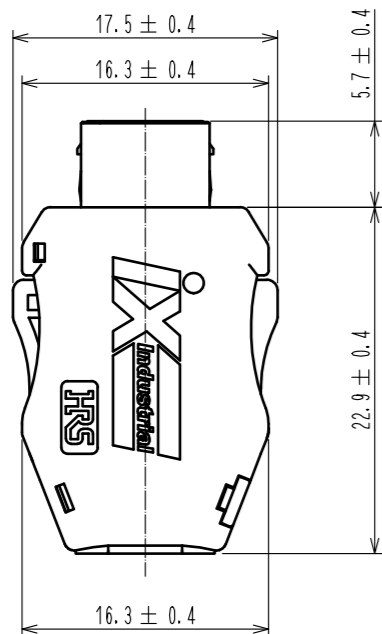
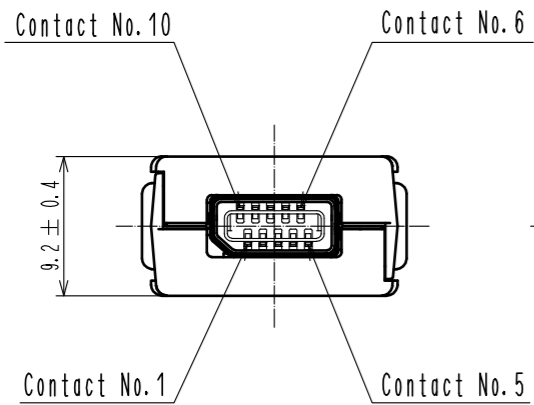
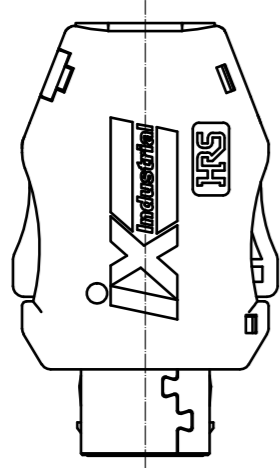


Aug.1.2018 Copyright 2018 HIROSE ELECTRIC CO., LTD. All Rights Reserved.
 In case that the application demands a high level of reliability, such as automotive,
 please contact a company representative for further information.



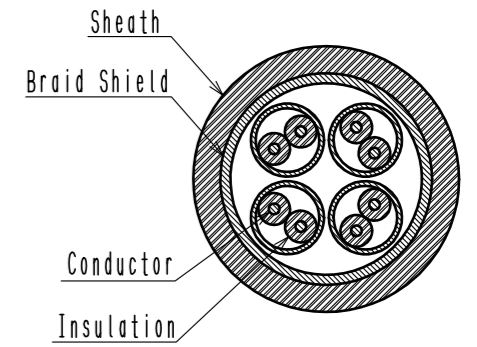
Pin Assignment For 10/100 Mbit/s And 1/10 Gbit/s Ethernet

Contact No.	Signal	
	10/100 Mbit/s	1/10 Gbit/s
1	TX+	BI_DA+
2	TX-	BI_DA-
3	N.C	N.C
4	N.C	BI_DC+
5	N.C	BI_DC-
6	RX+	BI_DB+
7	RX-	BI_DB-
8	N.C	N.C
9	N.C	BI_DD+
10	N.C	BI_DD-

Notes. 1. Applicable cable condition is shown below.
 In case of using a not applicable cable, please contact our sales representative.
 Refer to the technical specification (ETAD-E3162-00) for wiring and assembly procedure.

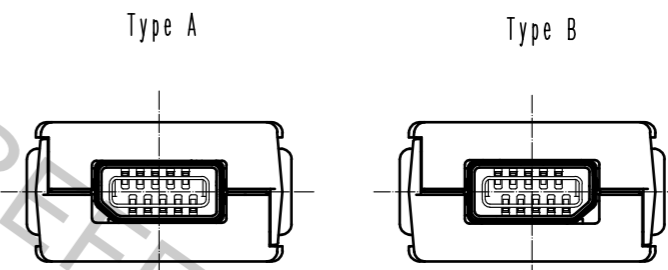
Applicable Cable

Items		Applicable Condition
Conductor	Size	AWG#24
	Composition	7 stranded
	Material	Annealed copper wire
Insulation O.D.		φ1.1 to 1.25mm
Braid Shield		Tin plating
Sheath O.D.		φ6.3 to 7.2mm



2. This product (Type A) is defined for 10/100 Mbit/s and 1/10 Gbit/s Ethernet communication. Please use Type B for all other non Ethernet applications like signaling, serial or other industrial bus communication systems.

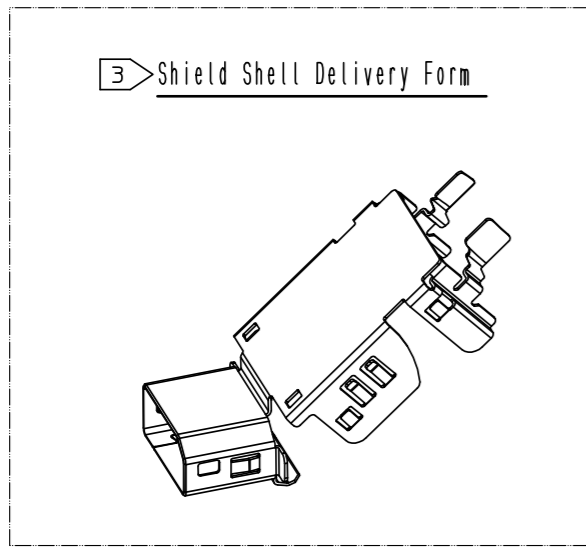
Mating Shape



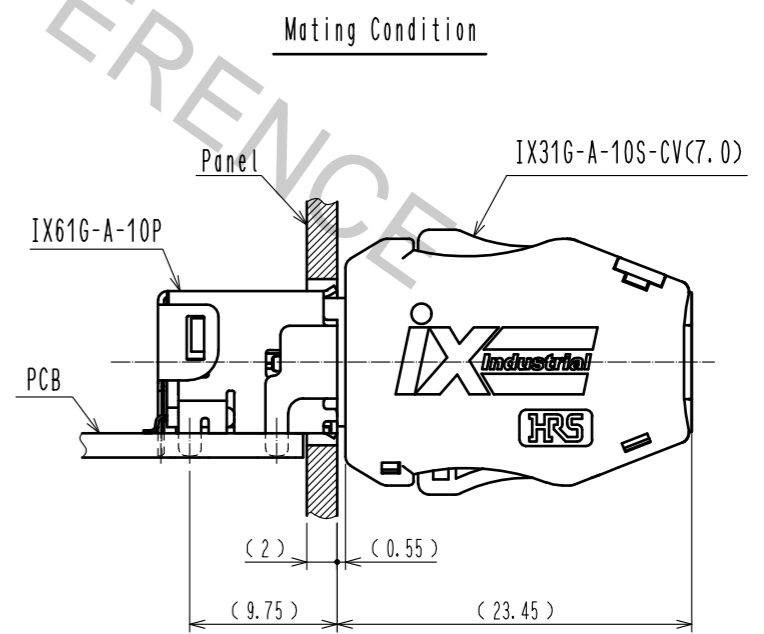
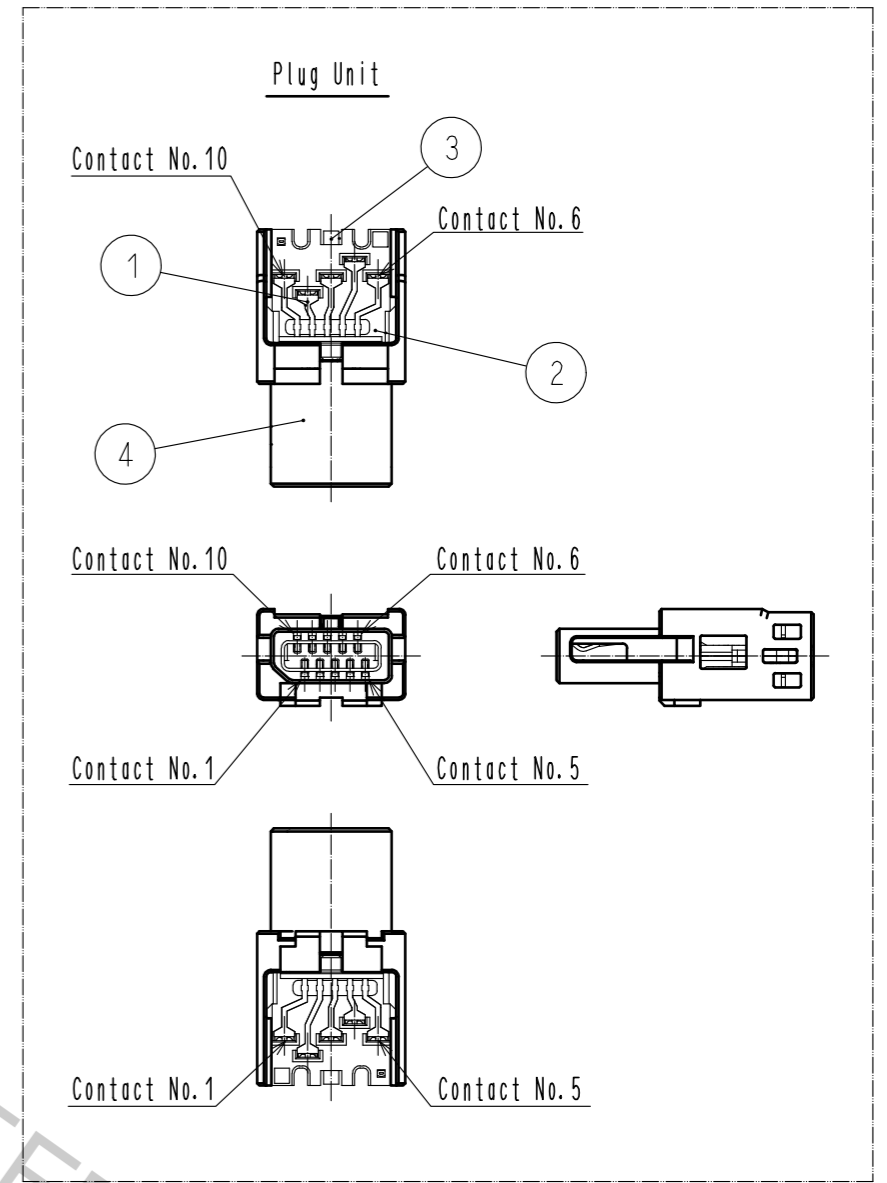
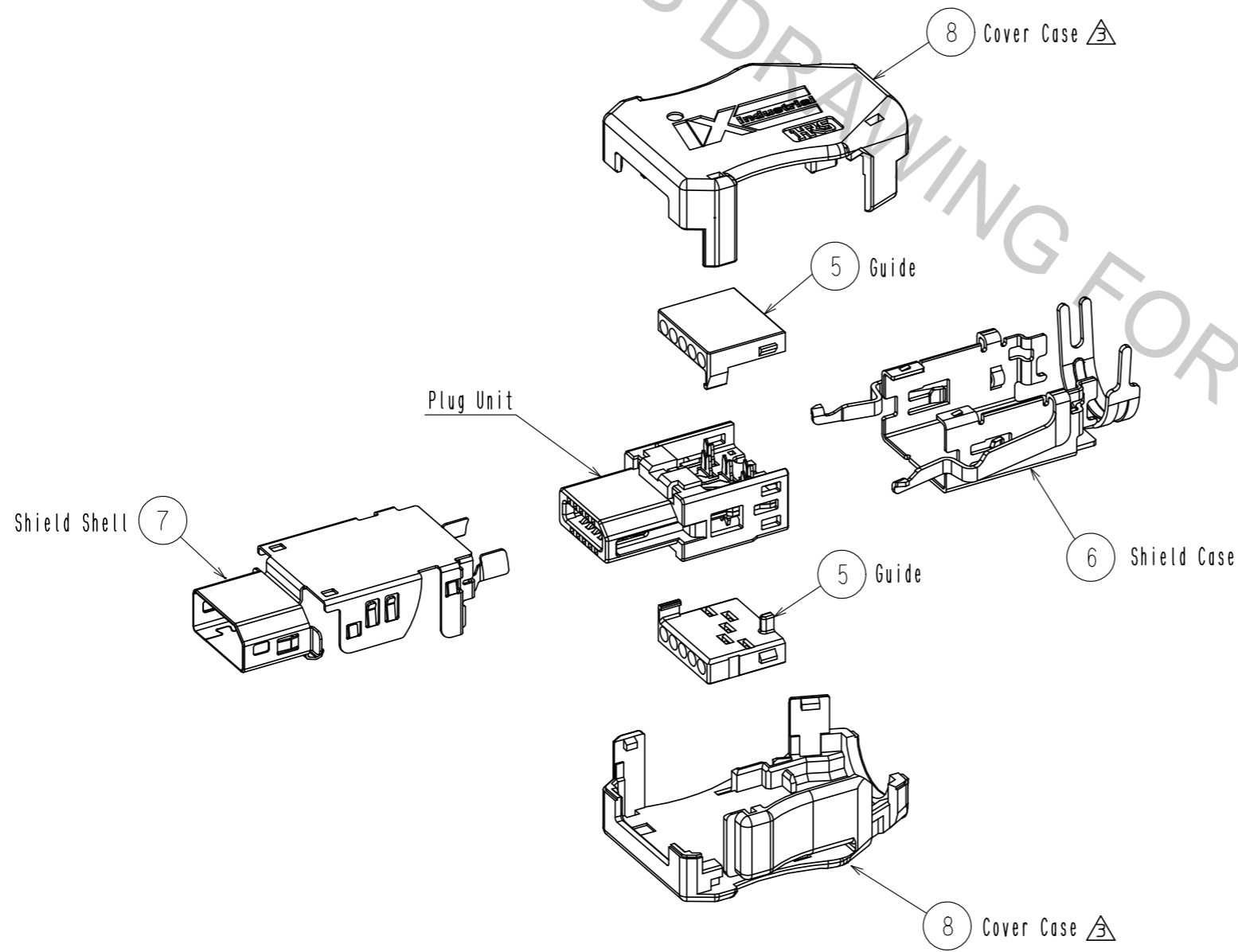
③ This product except plug unit is packed separately by the types of parts.
 Shield shell is packed in pre-bended state. (See next page.)

4	PA	Black, UL94V-0	8	PC	Dark gray, UL94V-0		
3	Stainless Steel		7	Stainless Steel	Nickel 0.2 μm min		
2	PA	Dark gray, UL94V-0	6	Stainless Steel	Nickel 1 μm min		
1	Copper Alloy	Contact area : Gold 0.2 μm min Wiring area : Gold 0.03 μm min Under plating : Nickel 2 μm min	5	PC	Clear yellow, UL94V-0		
NO.	MATERIAL	FINISH . REMARKS	NO.	MATERIAL	FINISH . REMARKS		
UNITS mm	①	SCALE 2 : 1	COUNT 2	DESCRIPTION OF REVISIONS DIS-E-00001437	DESIGNED SG. CHAMURA	CHECKED KI. NAGANUMA	DATE 18.07.02
APPROVED : RI. TAKAYASU		17.03.24	DRAWING NO. EDC-129485-00-00				
CHECKED : KI. NAGANUMA		17.03.24	PART NO. IX31G-A-10S-CV(7.0)				
DESIGNED : HT. SATO		17.03.24	CODE NO. CL251-0023-0-00				
DRAWN : HT. SATO		17.03.24					

Aug.1.2018 Copyright 2018 HIROSE ELECTRIC CO., LTD. All Rights Reserved.
 In case that the application demands a high level of reliability, such as automotive,
 please contact a company representative for further information.



Product Structure



HRS	DRAWING NO.	EDC-129485-00-00	
	PART NO.	IX31G-A-10S-CV(7.0)	
	CODE NO.	CL251-0023-0-00	