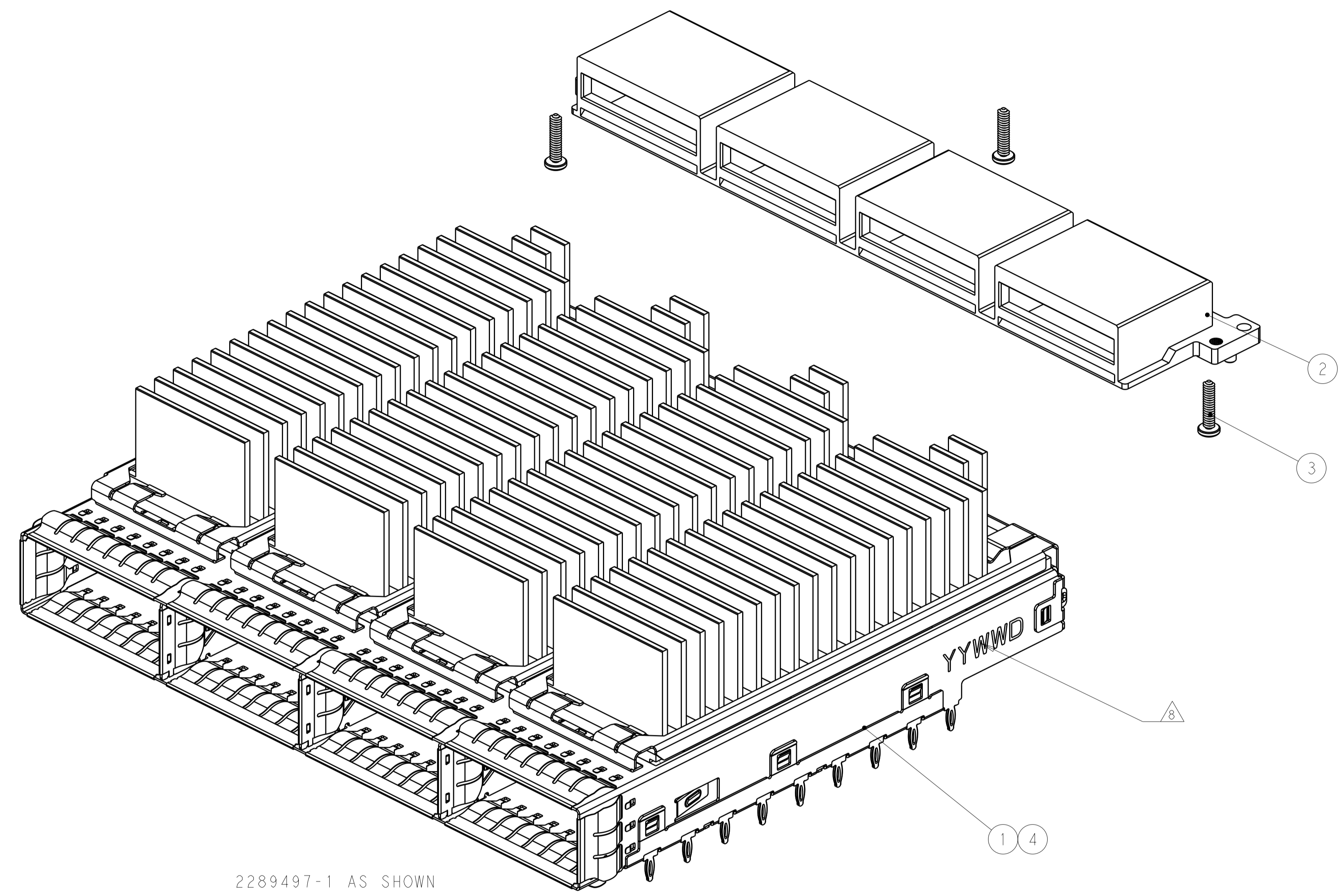


LOC	DIST	REVISIONS			
GP	00	REV	DATE	BY	CHKD
		1	14DEC2014	CW	SH
		2	29JUN2015	TX	SH
		3	03JUL2015	TX	SH
		5	10JAN2017	TX	SH

- ⚠ MATERIAL:  
 CAGE- 0.3MM THICK NICKEL SILVER ALLOY;  
 EMI SPRING- COPPER ALLOY;  
 HEAT SINK CLIP- STAINLESS STEEL;  
 HEAT SINK- ALUMINUM ALLOY;  
 RECEPTACLE COVER- ZINC ALLOY;
- ⚠ FINISH:  
 EMI SPRING- 1.27um NICKEL PLATING OVER ALL;  
 HEAT SINK- BLACK ANODIZED COATING;  
 RECEPTACLE COVER- 1.27um MIN NICKEL PLATING OVER COPPER PLATING;  
 HEAT SINK CLIP- PASSIVATE;
- 3 MATES WITH CFP MSA COMPLIANT TRANSCEIVERS.
- ⚠ DATUM AND BASIC DIMENSION ESTABLISHED BY CUSTOMER.
- 5 MINIMUM PC BOARD THICKNESS: SIGLE SIDE APPLICATIONS=2.99±0.63mm.
- ⚠ PADS AND VIAS CHASSIS GROUND;
- ⚠ REFERENCE APPLICATION SPEC 114-XXXX,HOLE A, FOR RECOMMENDED DRILL HOLE DIAMETER AND PLATING THICKNESS.
- ⚠ DATE CODE MADE IN APPROXIMATE AREA



2289497-1 AS SHOWN

THIS PRINT IS  
**PRELIMINARY**  
 UNQUALIFIED PRODUCT  
 CONTACT PRODUCT ENGINEERING  
 BEFORE USING THIS PRINT

QTY	DESCRIPTION	ITEM
1	2293290-3 HARD WARE KIT,CFP4 1X4	4
-	1 2293290-2 HARD WARE KIT,CFP4 1X4	
3	3 2292789-1 SCREW	3
1	1 2289498-1 RECEPTACLE COVER ASSEMBLY	2
-	- 1 2293290-1 CAGE ASSEMBLY, CFP4 1X4, W/ HEAT SINK	1
-3	-2 -1 PART NUMBER	

THIS DRAWING IS A CONTROLLED DOCUMENT. OWN: CHARLES WAN, 17DEC2014  
 CHK: SEAN HAN, 17DEC2014  
 APVB: -

DIMENSIONS: mm  
 TOLERANCES UNLESS OTHERWISE SPECIFIED:  
 0 PLC ±  
 1 PLC ±0.25  
 2 PLC ±0.13  
 3 PLC ±  
 4 PLC ±  
 ANGLES ±

MATERIAL: -  
 FINISH: -

PRODUCT SPEC: -  
 APPLICATION SPEC: -  
 WEIGHT: -

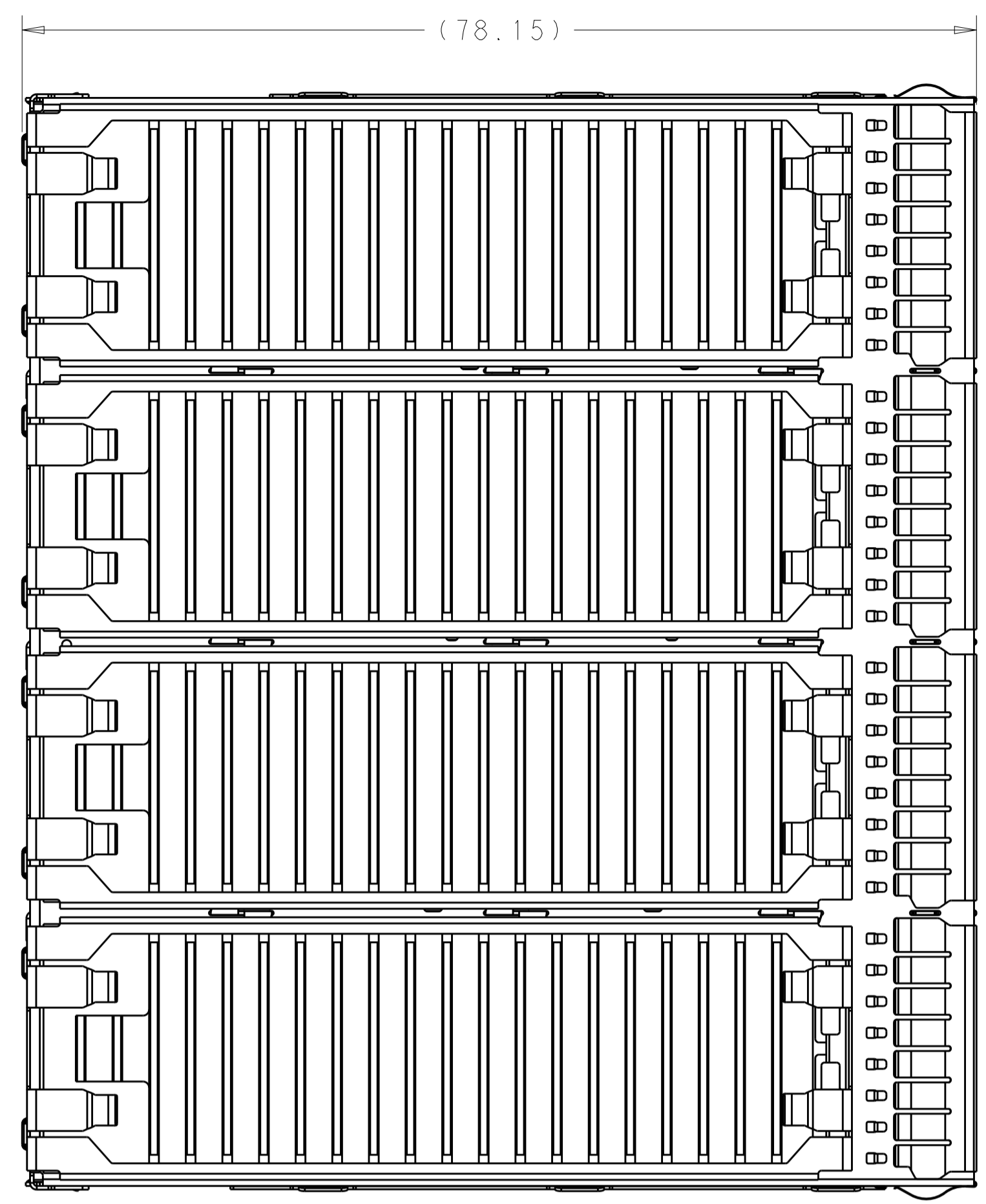
Customer Drawing

SIZE: A1  
 CAGE CODE: 2289497  
 DRAWING NO: 2289497

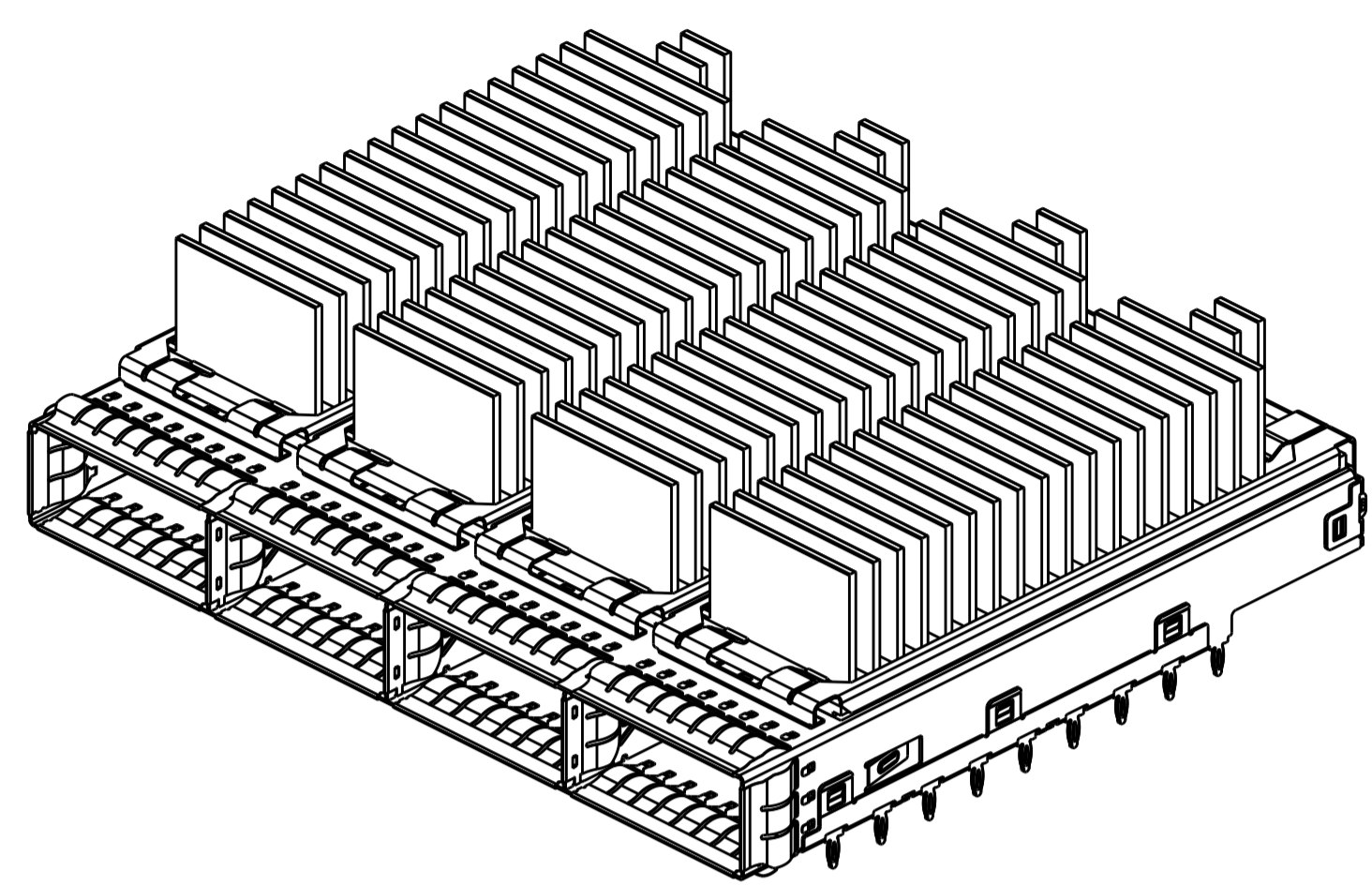
RESTRICTED TO: -

SCALE: 4:1 SHEET 1 OF 7 REV 5

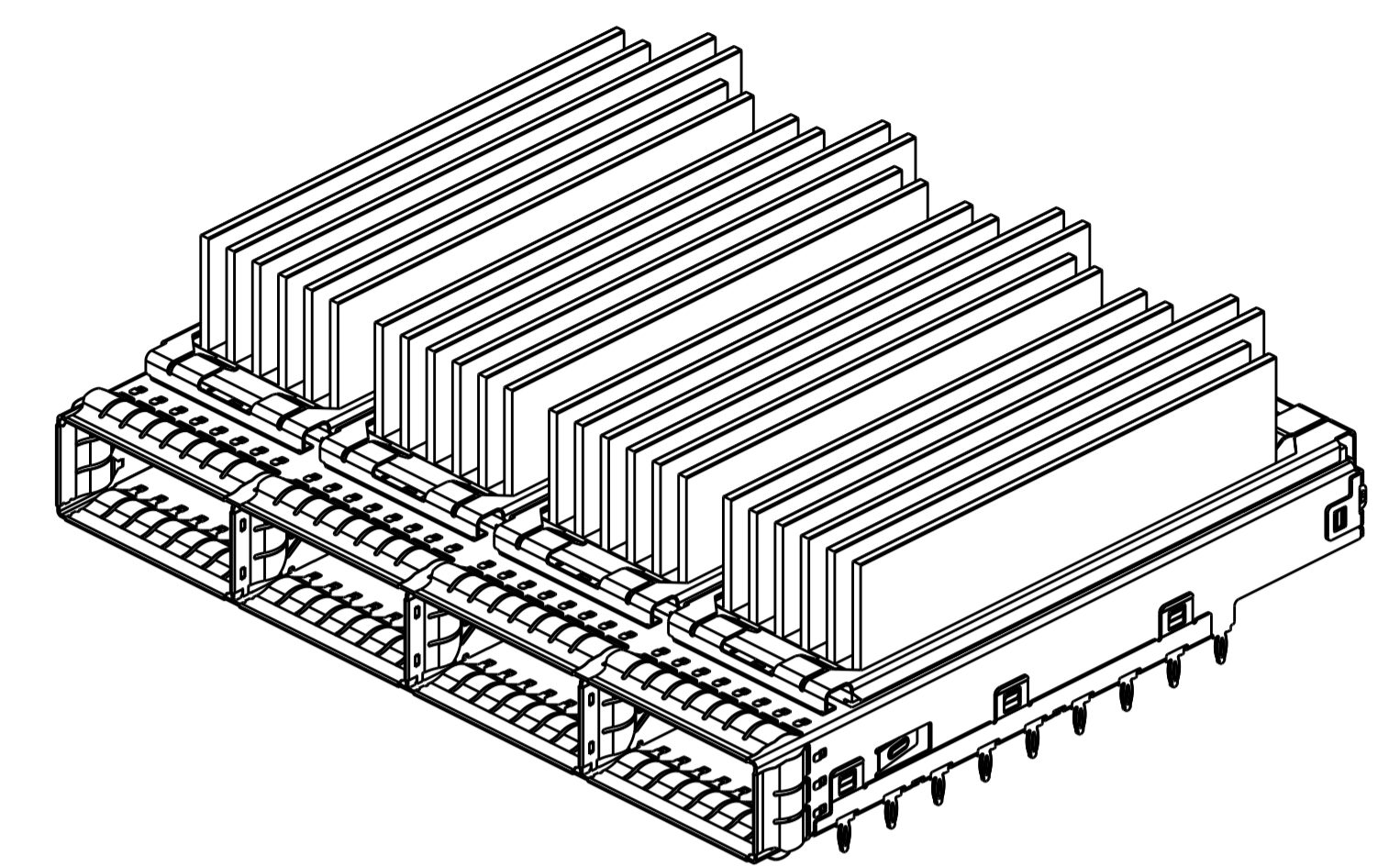
LOC	DIST	REVISIONS			
P.	LTN	DESCRIPTION	DATE	OWN	APVD
-	-	SEE SHEET 1	-	-	-



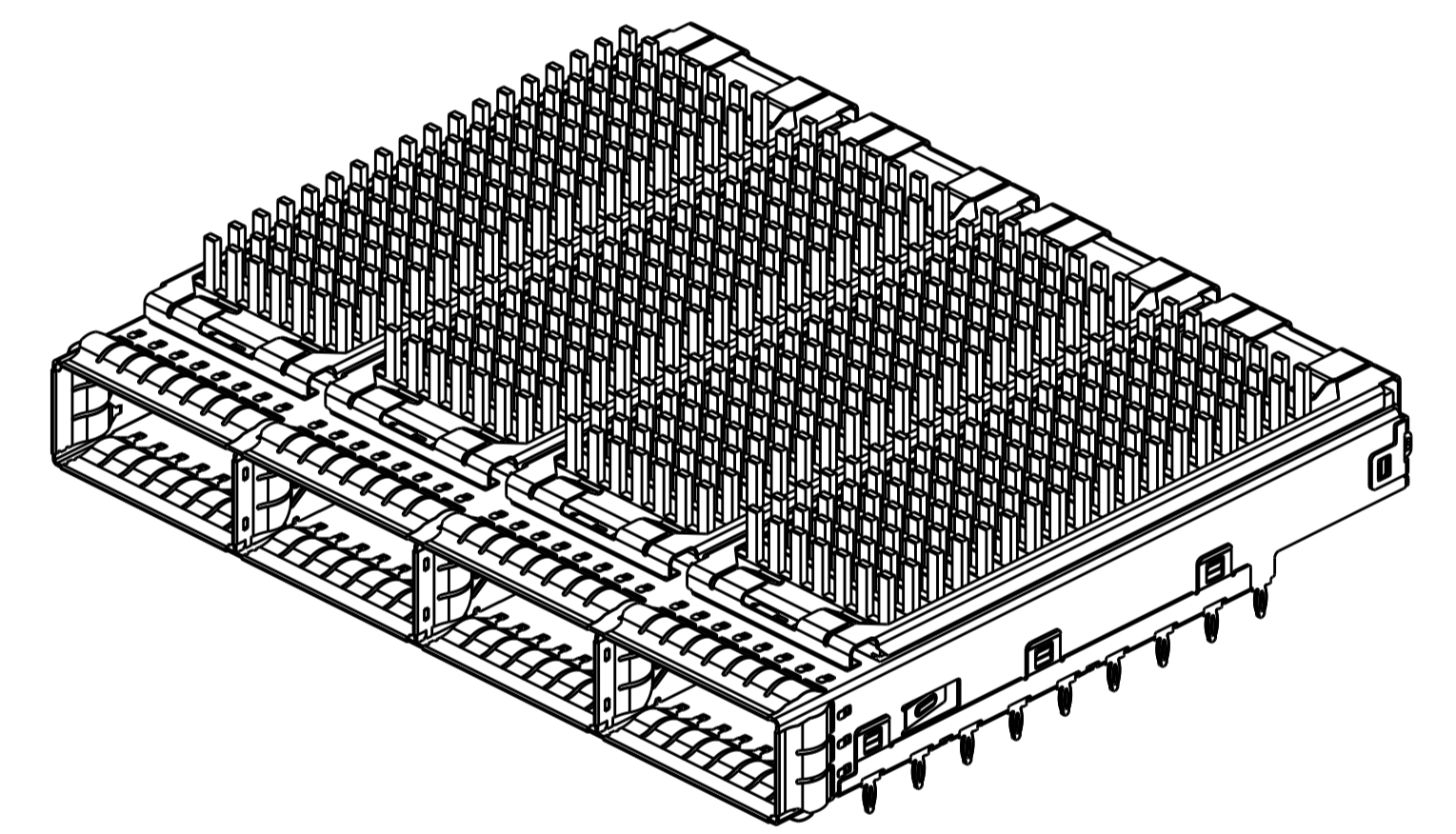
2293290-1 AS SHOWN



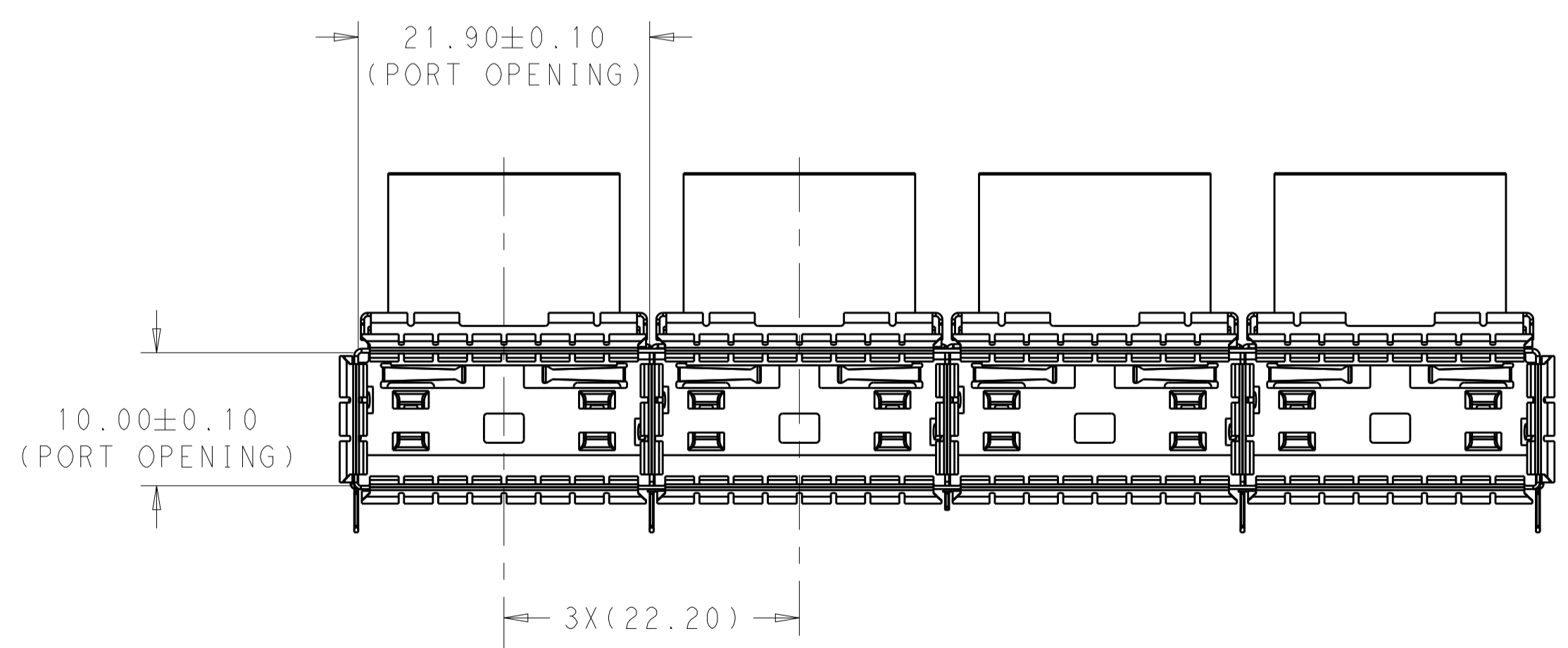
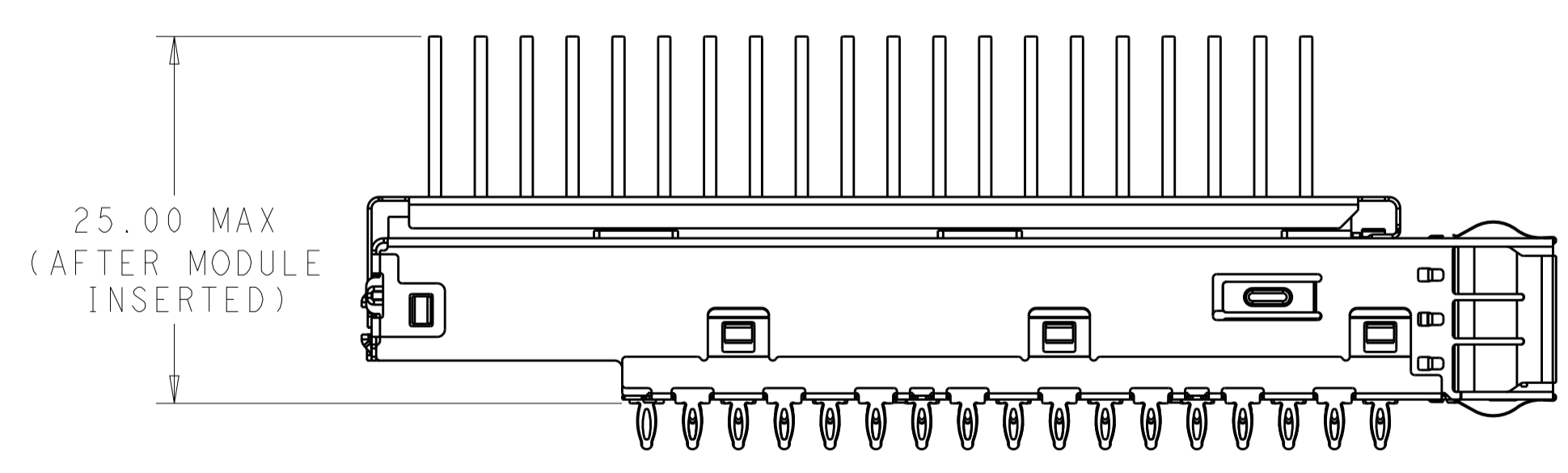
2293290-1 AS SHOWN  
(SIDE TO SIDE AIRFLOW HEATSINK)



2293290-2 AS SHOWN  
(FRONT TO BACK AIRFLOW HEATSINK)



2293290-3 AS SHOWN  
(PIN TYPE HEATSINK)

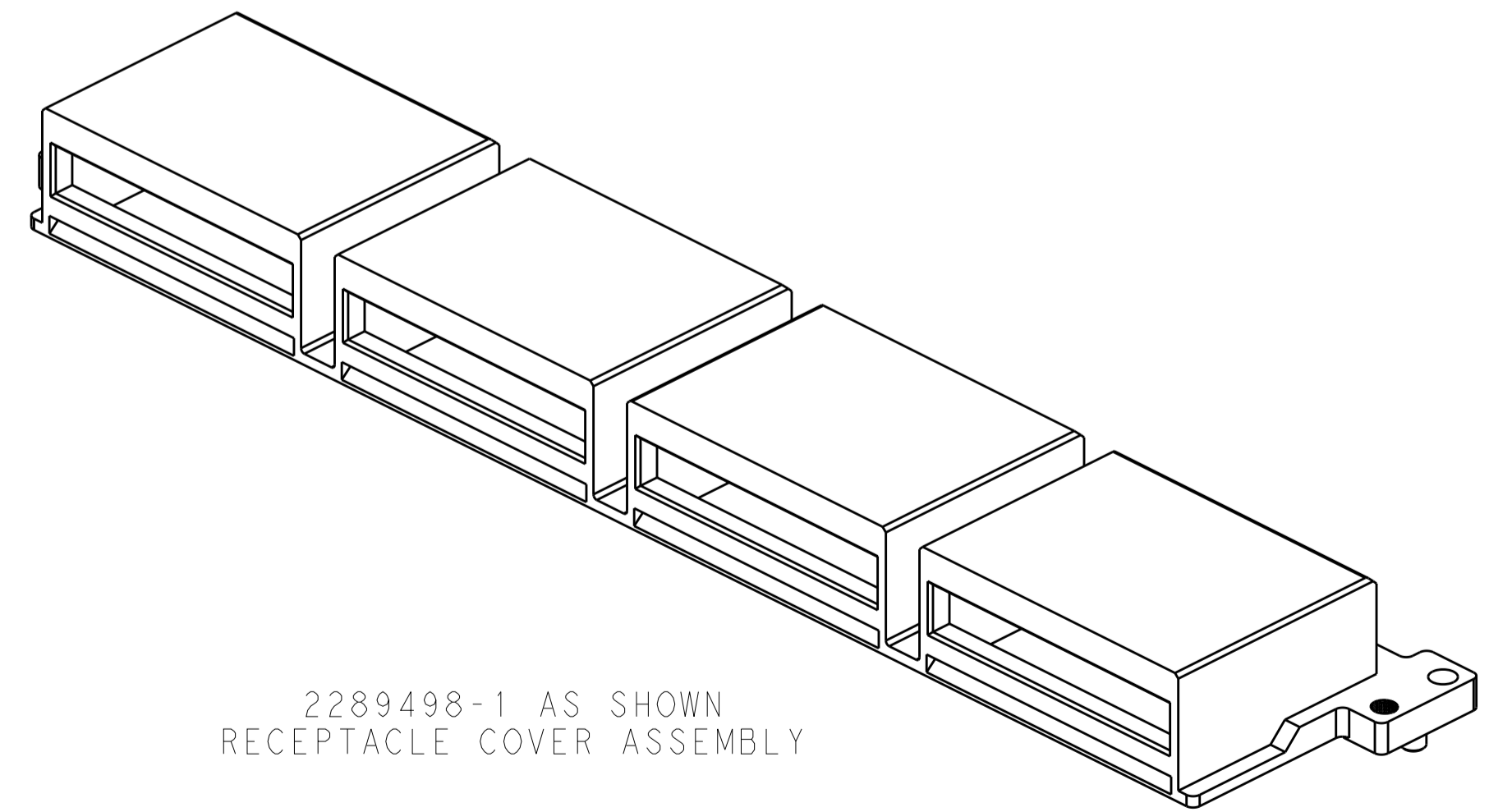
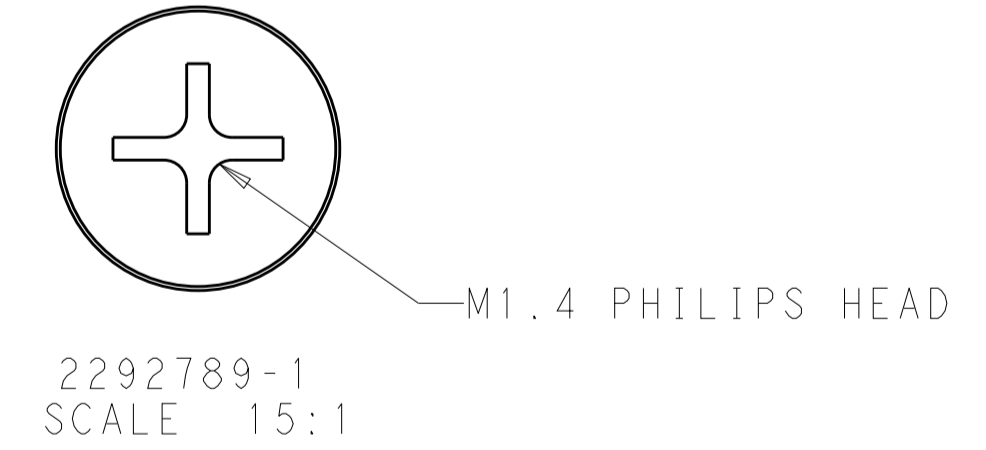
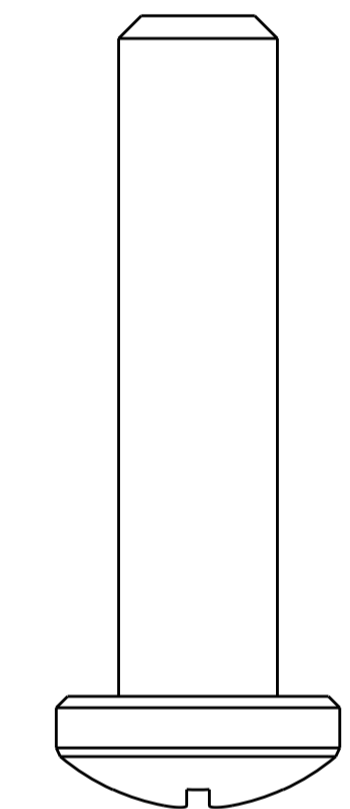
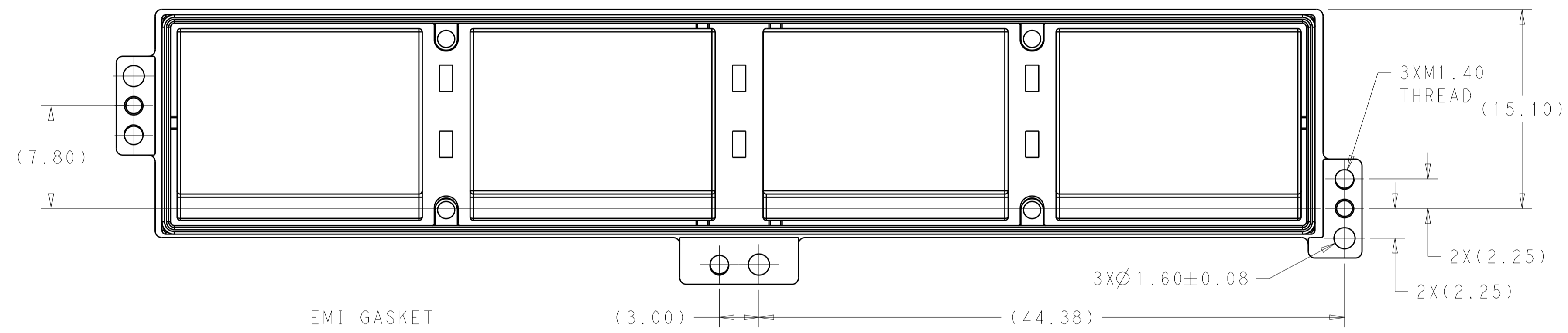
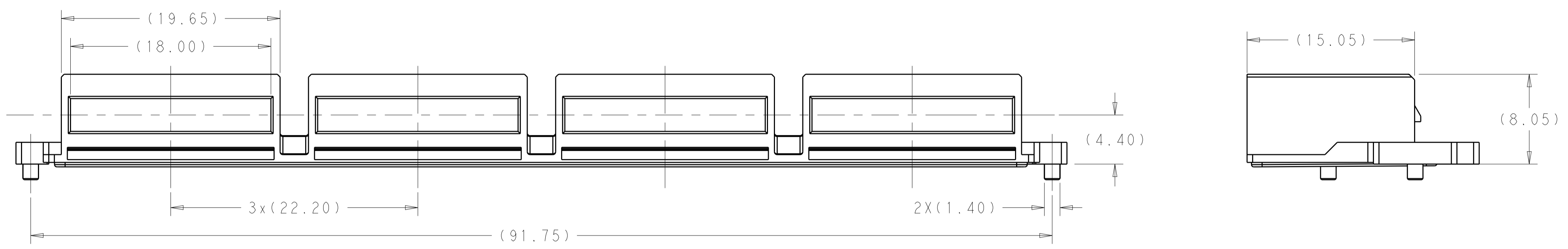


18.5MAX.	2293290-3
25.0MAX.	2293290-2
25.0MAX.	2293290-1
DIM. A	PART NUMBER

DESIGN APPROVED THIS PRINT IS  
**PRELIMINARY**  
 TO FIRST PIECE APPROVAL  
 CONTACT PRODUCT ENGINEERING  
 BEFORE USING THIS PRINT

THIS DRAWING IS A CONTROLLED DOCUMENT.		OWN: CHARLES WAN 17DEC2014	TE Connectivity
DIMENSIONS: mm		CHK: SEAN HAN 17DEC2014	
TOLERANCES UNLESS OTHERWISE SPECIFIED:		APVD: -	NAME: CFP4 1x4 HARDWARE ASSEMBLY
0 PLC ±	1 PLC ±0.25	PRODUCT SPEC	SIZE: -
2 PLC ±0.13	3 PLC ±	APPLICATION SPEC	RESTRICTED TO: -
4 PLC ±	ANGLES ±	WEIGHT	SIZE: A100779 C=2289497
MATERIAL: -	FINISH: -	Customer Drawing	SCALE: 4:1 SHEET 2 OF 7 REV 5

LOC	DIST	REVISIONS			
P	LTH	DESCRIPTION	DATE	DMN	APVD
-	-	SEE SHEET 1	-	-	-

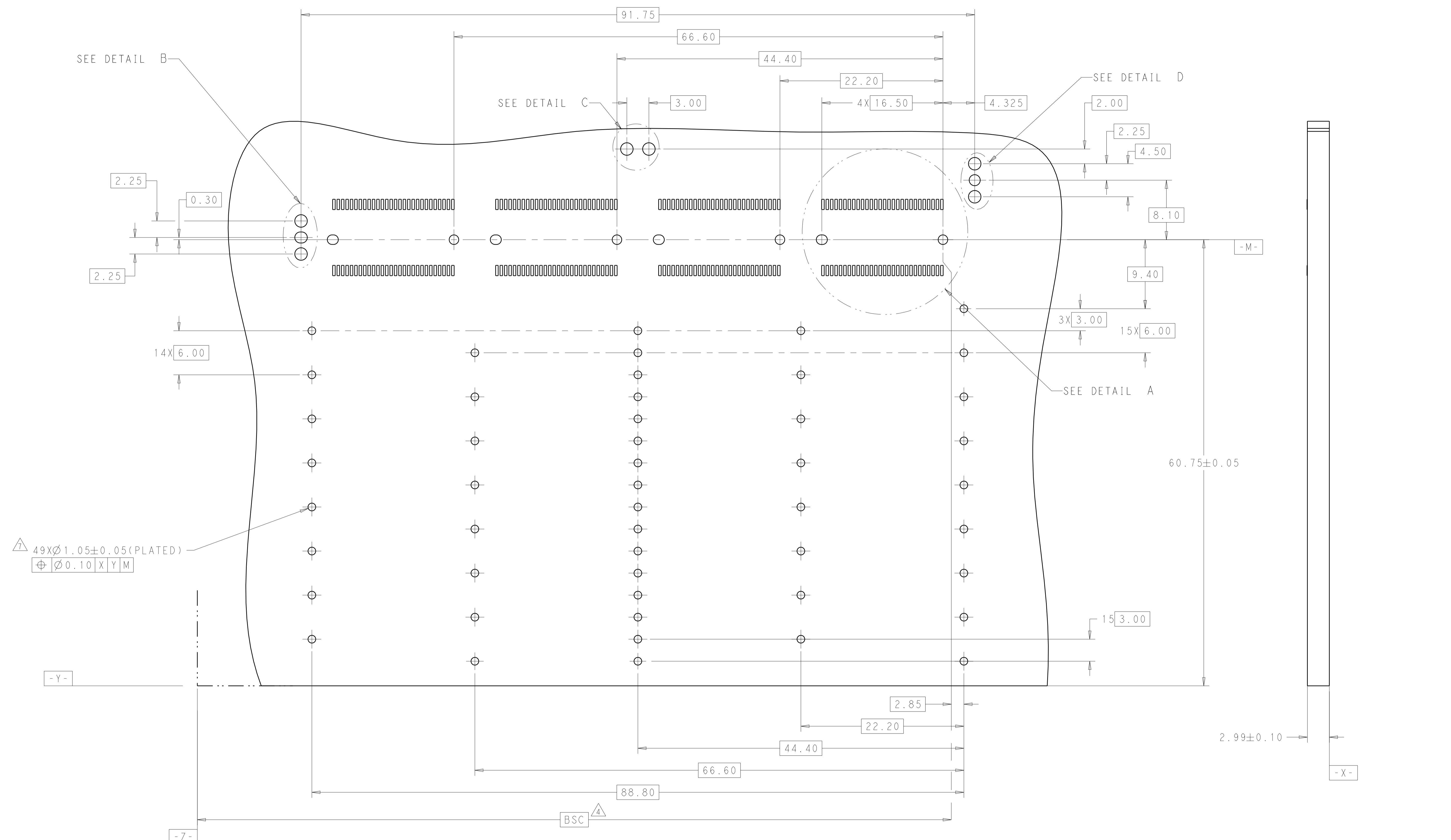


2289498-1 AS SHOWN  
RECEPTACLE COVER ASSEMBLY

DESIGN APPROVED THIS PRINT IS  
**PRELIMINARY**  
TO FIRST PIECE APPROVAL  
CONTACT PRODUCT ENGINEERING  
BEFORE USING THIS PRINT

THIS DRAWING IS A CONTROLLED DOCUMENT.		DMN: CHARLES WAN 17DEC2014	TE Connectivity
DIMENSIONS: mm		CHK: SEAN HAN 17DEC2014	
TOLERANCES UNLESS OTHERWISE SPECIFIED:		APVD: -	NAME: CFP4 1x4 HARDWARE ASSEMBLY
0 PLC ±	1 PLC ±0.25	PRODUCT SPEC	SIZE: -
2 PLC ±0.13	3 PLC ±	APPLICATION SPEC	RESTRICTED TO: -
4 PLC ±	ANGLES ±	WEIGHT: -	SCALE: 4:1
MATERIAL: -	FINISH: -	Customer Drawing	SHEET 3 OF 7
		SIZE: A100779C=2289497	REV 5

LOC		DIST		REVISIONS				
P	LTN	DESCRIPTION	DATE	DMN	APVD			
-	-	SEE SHEET 1	-	-	-			



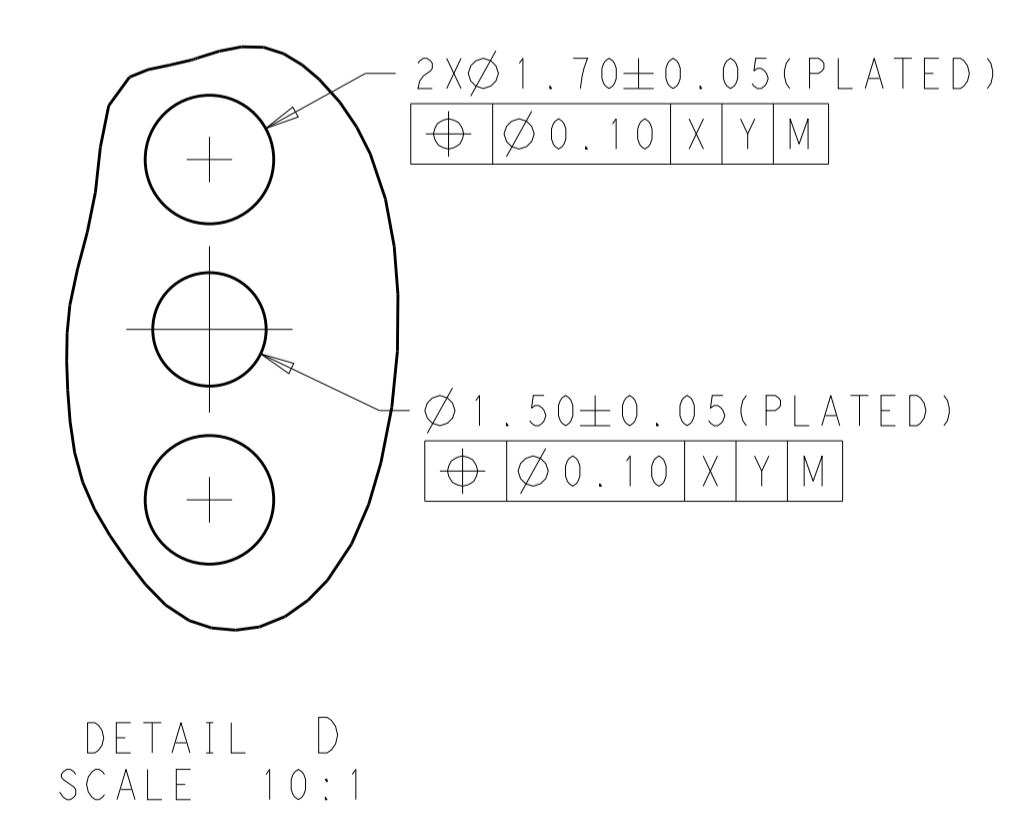
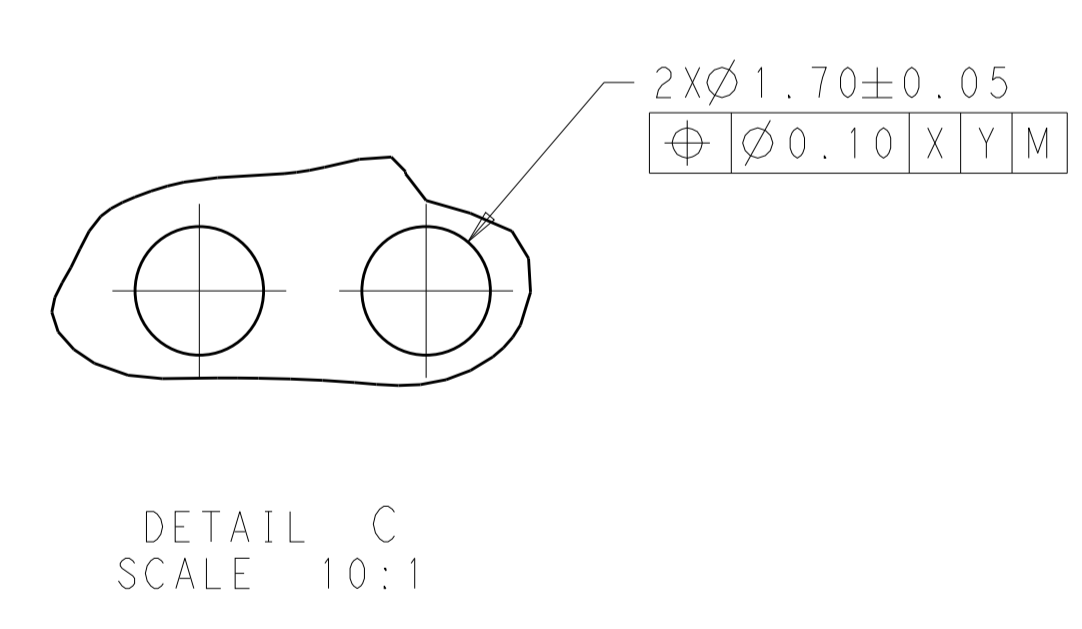
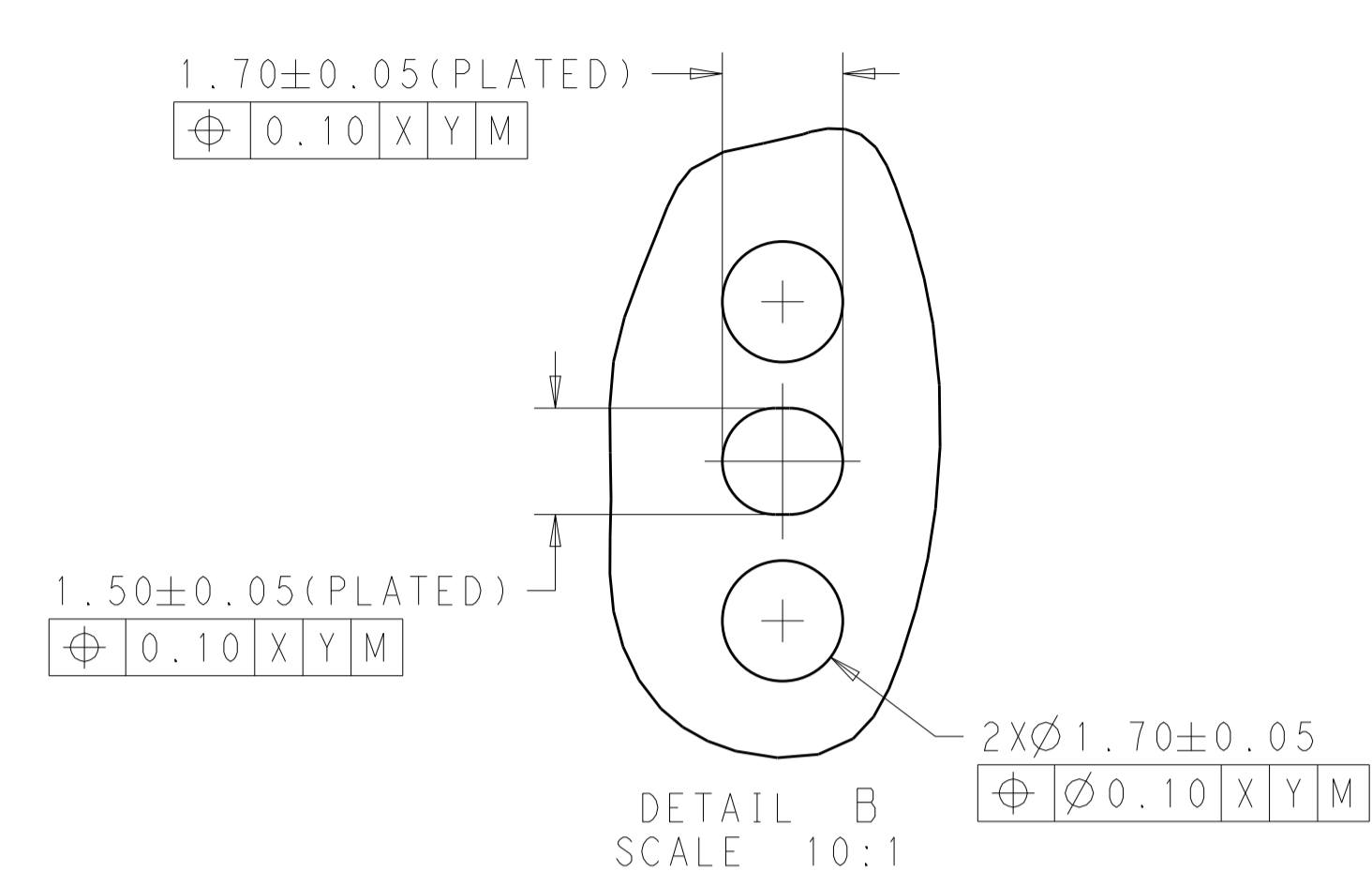
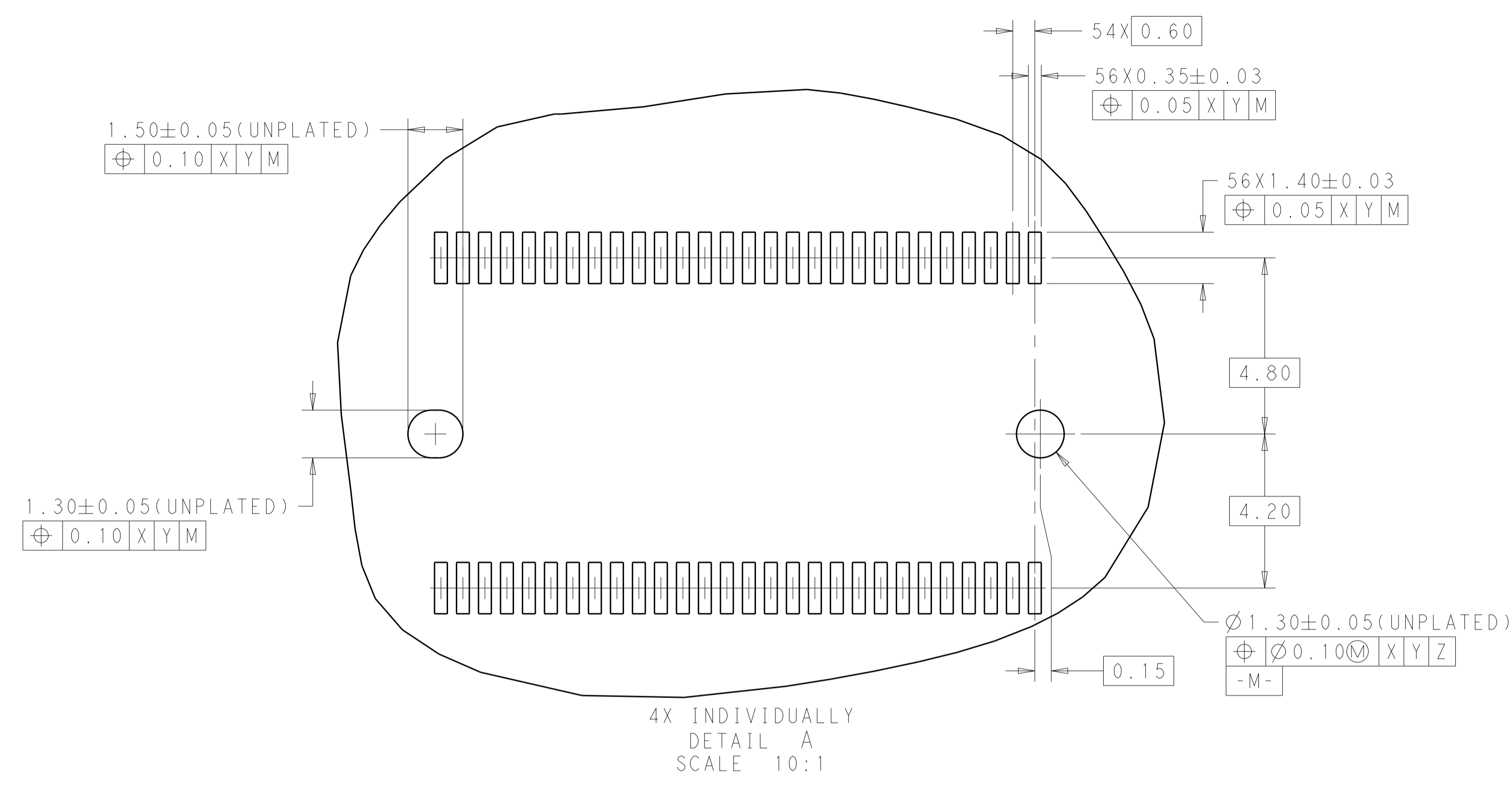
49xØ1.05±0.05(PLATED)  
 Ø0.10 X Y M

RECOMMENDED PCB LAYOUT  
 SINGLE SIDED APPLICATION  
 SCALE 4:1

THIS PRINT IS  
**PRELIMINARY**  
 UNQUALIFIED PRODUCT  
 CONTACT PRODUCT ENGINEERING  
 BEFORE USING THIS PRINT

THIS DRAWING IS A CONTROLLED DOCUMENT.		DMN: CHARLES WAN 17DEC2014	TE Connectivity
DIMENSIONS: mm		CHK: SEAN HAN 17DEC2014	
TOLERANCES UNLESS OTHERWISE SPECIFIED:		APVD: -	NAME: CFP4 1x4 HARDWARE ASSEMBLY
0 PLC ±0.25	1 PLC ±0.13	PRODUCT SPEC	
2 PLC ±0.13	3 PLC ±0.13	APPLICATION SPEC	
4 PLC ±0.13	ANGLES ±0.13	SIZE: A1	CAGE CODE: 2289497
MATERIAL: -	FINISH: -	WEIGHT: -	RESTRICTED TO: -
Customer Drawing		SCALE: 1:1	SHEET: 4 OF 7
		REV: 5	

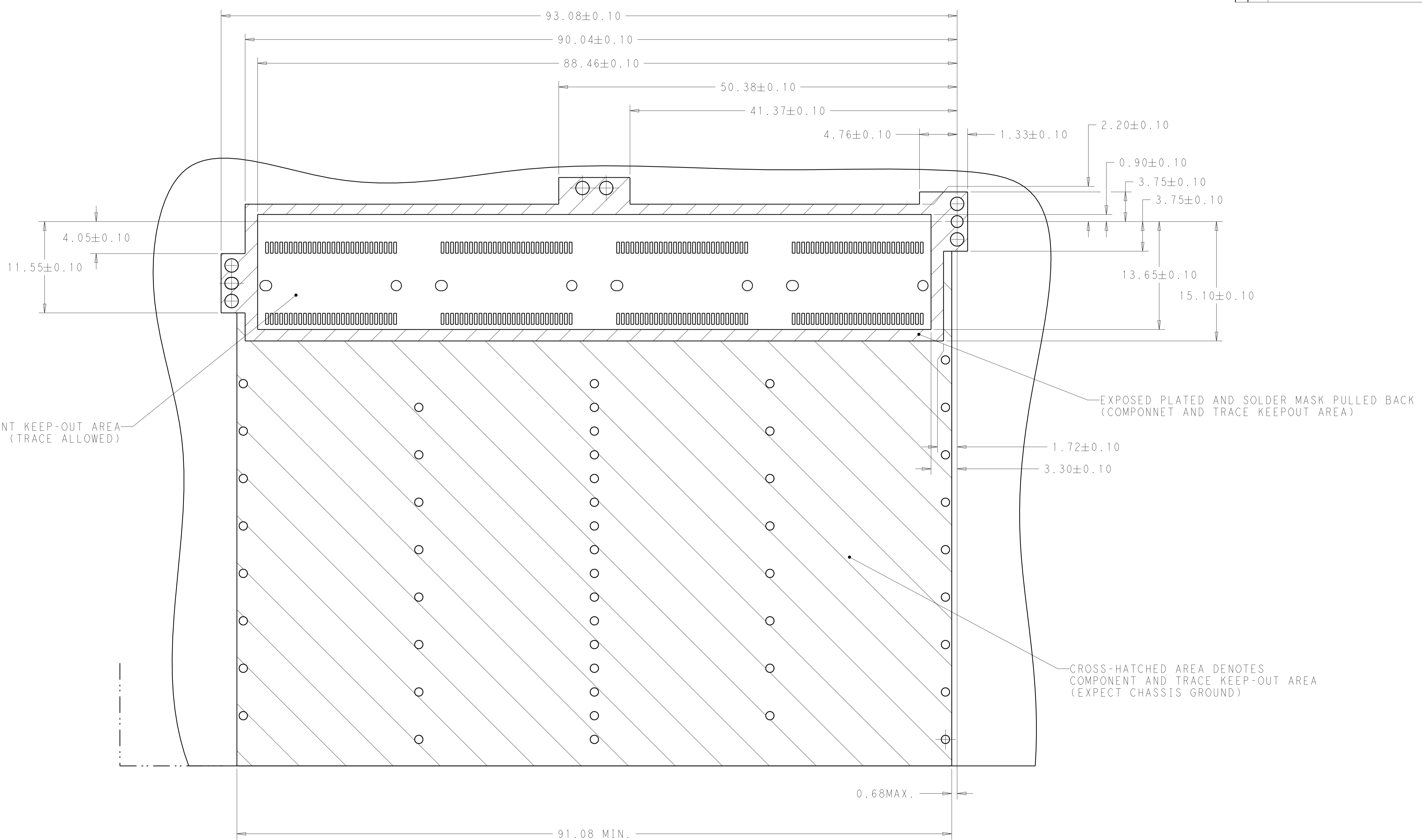
LOC		DIST		REVISIONS			
P	LTN	DESCRIPTION	DATE	DWN	APVD		
-	-	SEE SHEET 1	-	-	-		



DESIGN APPROVED THIS PRINT IS  
**PRELIMINARY**  
 TO FIRST PIECE APPROVAL  
 CONTACT PRODUCT ENGINEERING  
 BEFORE USING THIS PRINT

THIS DRAWING IS A CONTROLLED DOCUMENT.		DWN: CHARLES WAN 17DEC2014	TE Connectivity
		CHK: SEAN HAN 17DEC2014	
DIMENSIONS:	TOLERANCES UNLESS OTHERWISE SPECIFIED:	APVD: -	NAME: CFP4 1x4 HARDWARE ASSEMBLY
mm	0 PLC ±	PRODUCT SPEC	
	1 PLC ±0.25	APPLICATION SPEC	
	2 PLC ±0.13		
	3 PLC ±		
	4 PLC ±		
	ANGLES ±		
MATERIAL	FINISH	WEIGHT	SIZE: CAGE CODE: DRAWING NO: RESTRICTED TO:
			A100779C=2289497
		Customer Drawing	SCALE: 3:1 SHEET 5 OF 7 REV 5

LOC	DIST	REV	DATE	BY	APPV
		1			

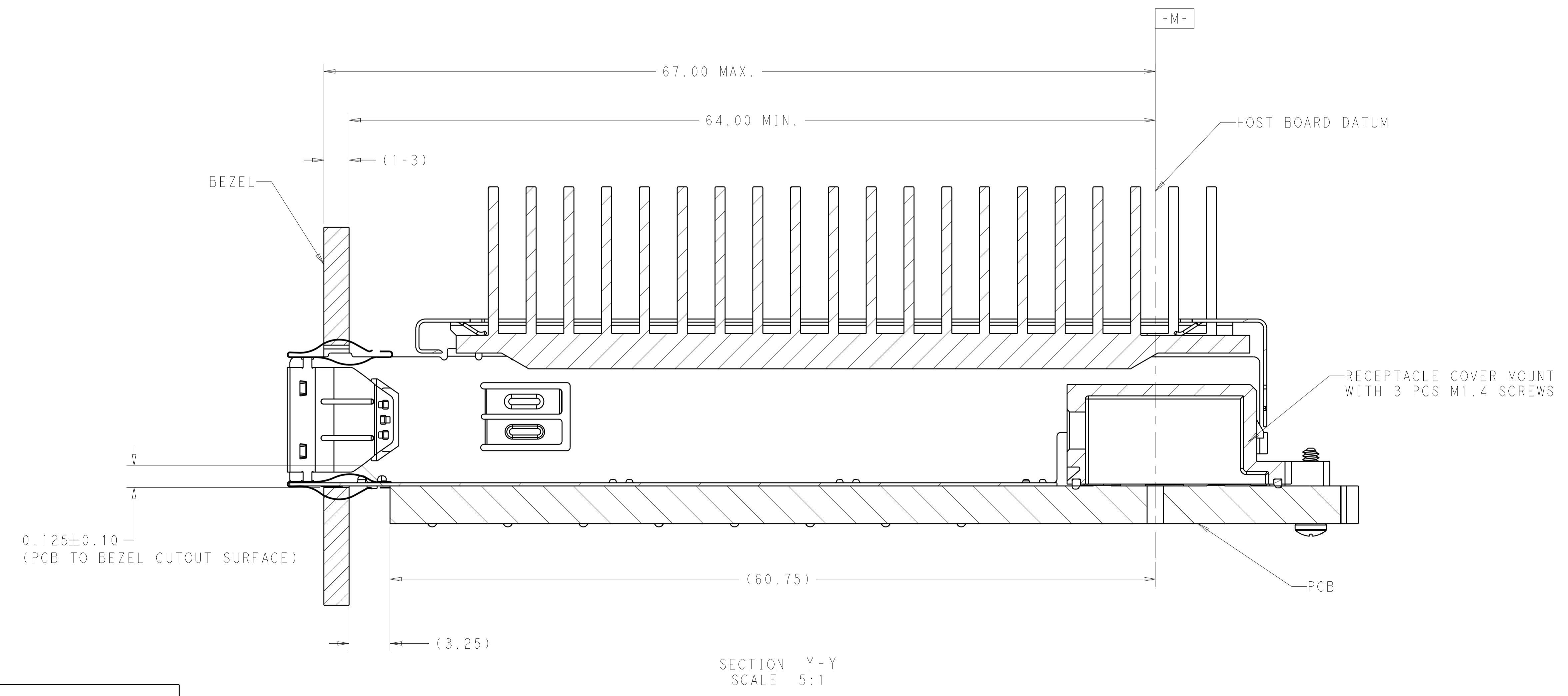
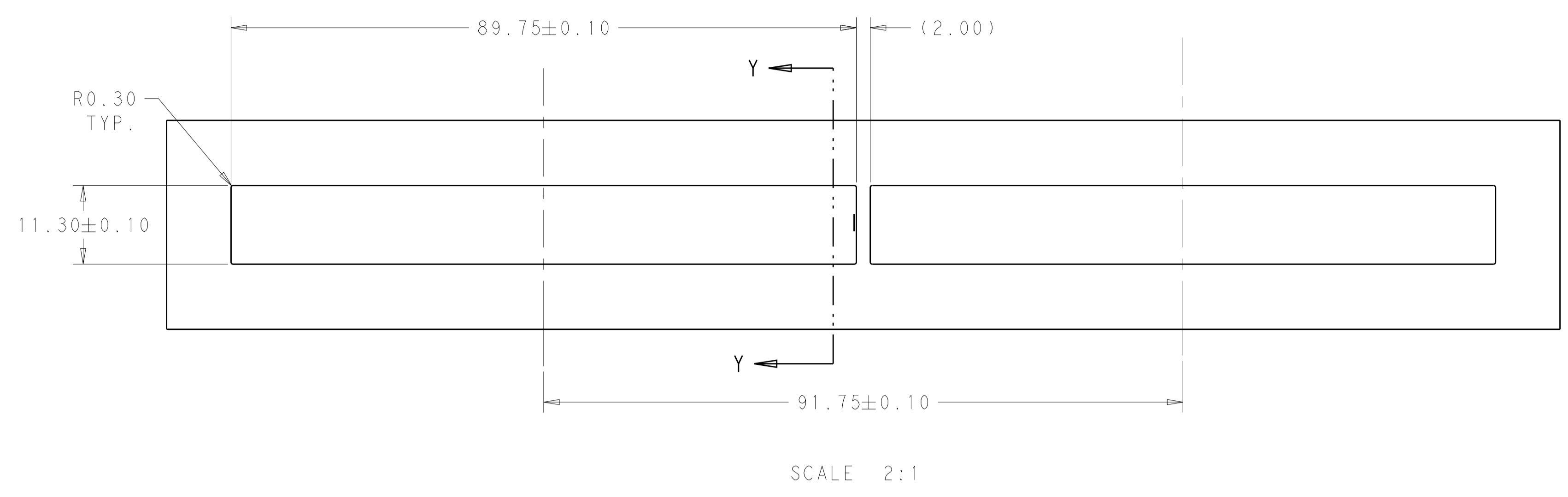


SCALE 4:1

DESIGN APPROVED THIS PRINT IS  
**PRELIMINARY**  
 TO FIRST PIECE APPROVAL  
 CONTACT PRODUCT ENGINEERING  
 BEFORE USING THIS PRINT

THIS DRAWING IS A CONTROLLED DOCUMENT.		OWN: CHARLES WAN 17DEC2014	TE Connectivity
DIMENSIONS: mm		CHK: SEAN HAN 17DEC2014	
TOLERANCES UNLESS OTHERWISE SPECIFIED:		APVD: -	NAME: CFP4 1x4 HARDWARE ASSEMBLY
0 PLC ±	1 PLC ±0.25	PRODUCT SPEC	SIZE: A1
2 PLC ±0.13	3 PLC ±	APPLICATION SPEC	CAGE CODE: 2289497
4 PLC ±	ANGLES ±	WEIGHT	RESTRICTED TO: -
MATERIAL: -	FINISH: -	Customer Drawing	SCALE: 4:1 SHEET: 6 OF 7 REV: 5

LOC		DIST		REVISIONS			
P	LTN	DESCRIPTION	DATE	DMN	APVD		
-	-	SEE SHEET 1	-	-	-		



DESIGN APPROVED THIS PRINT IS  
**PRELIMINARY**  
 TO FIRST PIECE APPROVAL  
 CONTACT PRODUCT ENGINEERING  
 BEFORE USING THIS PRINT

THIS DRAWING IS A CONTROLLED DOCUMENT.		DMN CHARLES WAN 17DEC2014	TE Connectivity
DIMENSIONS: mm		CHK SEAN HAN 17DEC2014	
TOLERANCES UNLESS OTHERWISE SPECIFIED:		APVD -	NAME CFP4 1x4 HARDWARE ASSEMBLY
0 PLC ±	1 PLC ±0.25	PRODUCT SPEC -	SIZE CAGE CODE DRAWING NO RESTRICTED TO
2 PLC ±0.13	3 PLC ±	APPLICATION SPEC -	A100779C=2289497
4 PLC ±	ANGLES ±	WEIGHT -	SCALE 4:1 SHEET 7 OF 7 REV 5
MATERIAL -	FINISH -	Customer Drawing	