

SERIAL ATA >

*Interconnect Solutions For
Storage Applications*



SERIAL ATA >

- SATA Signal Connectors
- SATA Connectors for HDD/SSD
- Slimline SATA Connectors for ODD
- SATA Power Connectors
- External SATA Connectors
- Combo SATA Cable Assemblies



As a leading supplier of one of the largest growing family of Serial ATA interconnect solutions, Molex continues to be at the forefront of helping storage makers stay competitive with greater reliability, high performance, lower cost, reduced development time and faster time to market solutions.

The latest addition is a two-piece connector that optimizes the PCB layout architecture and presents greater PCB real-estate savings with interposers that enable stacking of drives. Other recent additions include Molex Micro SATA connectors for 1.8" form factor Hard Disk Drive (HDD) and Solid State Drive (SSD) for data transfer rate of up to 6.0 Gbps.

The Molex Slimline SATA connector line-up includes blind mating features in Optical Disk Drive (ODD) with latching option for 9.5mm and 12.7mm ODD.

For external storage, Molex eSATA connectors offer speed advantage, greater possibilities and flexibility.

Contact Molex for more details on solutions to your specific requirements and latest developments.

Applications

Current Trends

- Solid State Drive
- Set-Top Box
- Digital Audio
- Automotive - Navigation
- Brown Goods
- Optical Drives
- HDTV Home Theatre
- Games - 3D Video

Mobile Computing

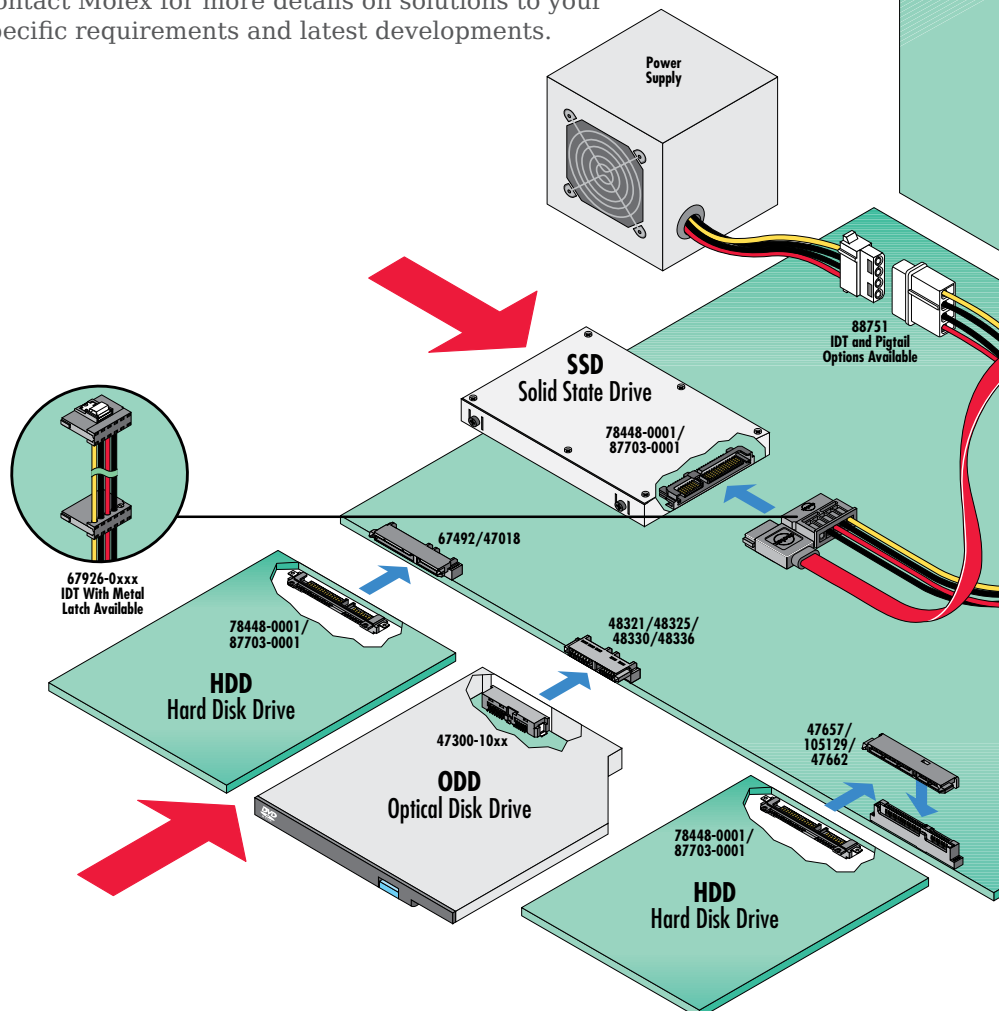
- Notebook PC
- Sub-Notebook PC
- Media PC
- Multimedia Peripherals

Enterprise Computing

- Mid Range Servers
- Network Storage
- RAID Storage
- Backplane
- Internet Services

Desktop Computing

- Hard Disk Drive
- Motherboard
- Power Supply
- Adapters
- Controller Boards
- Data Protection
- Workstation



Feature

Benefit

<ul style="list-style-type: none"> • Staggered contact length (First-Mate-Last-Break) 	<ul style="list-style-type: none"> • Allows sequential mating of pins for hot-plugging of hard disk drive
<ul style="list-style-type: none"> • Guide pocket for plug and guide post for receptacle 	<ul style="list-style-type: none"> • Allows blind-mating
<ul style="list-style-type: none"> • Different orientation with multi footprint 	<ul style="list-style-type: none"> • Provides proper matching with different PCB alignment
<ul style="list-style-type: none"> • Solder tab 	<ul style="list-style-type: none"> • PCB retention during and after soldering
<ul style="list-style-type: none"> • Small form factor 	<ul style="list-style-type: none"> • Improves airflow and thermal-dynamics in an enclosed environment
<ul style="list-style-type: none"> • Various types of housing material (High Temperature/Colours/Halogen-free) 	<ul style="list-style-type: none"> • Cost effectiveness in wide range of applications
<ul style="list-style-type: none"> • Option for latch and non-latch design 	<ul style="list-style-type: none"> • Allows for different mated and un-mated force requirements
<ul style="list-style-type: none"> • Compliant to Serial ATA Revision 3.0 Specification 	<ul style="list-style-type: none"> • High speed data transfer rate (up to 6.0Gbs)
<ul style="list-style-type: none"> • Multi packing type (Tray/Tape & Reel) 	<ul style="list-style-type: none"> • Provides selection for manufacturing requirement



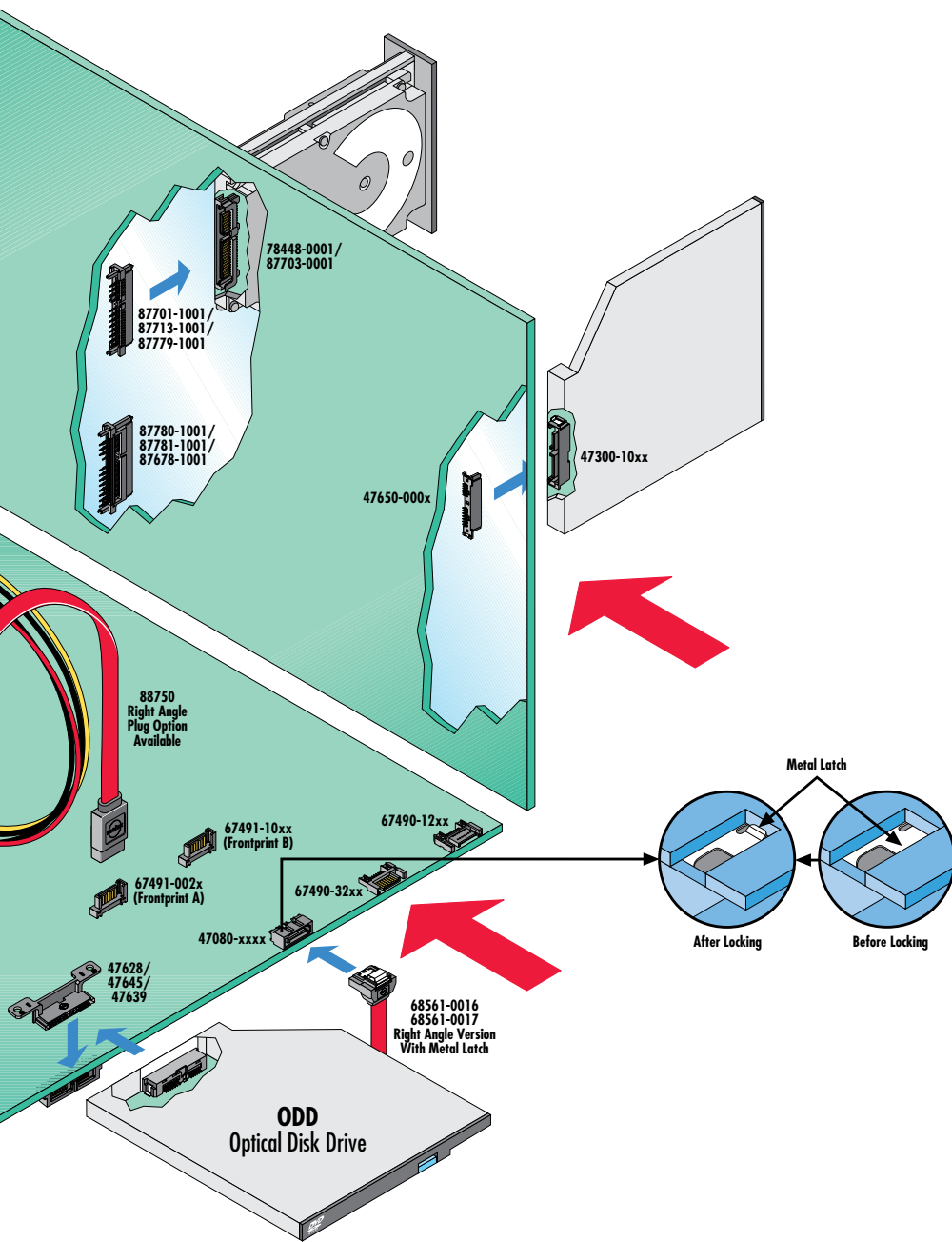
Receptacle



Plug



7 pin plug



SATA Connector Family Overview

	SATA SIGNAL PLUGS NON-LATCH TYPE		SATA SIGNAL PLUGS LATCH TYPE		SATA SIGNAL RECEPTACLES		SATA SIGNAL CABLE ASSEMBLIES	
	SATA SIGNAL CONNECTORS		Standard Mount Right Angle SMT 67490-12XX		Right Angle SMT Latch Type 47080-X0XX		Right Angle SMT 67489-100X	
		Reverse Mount Right Angle SMT 67490-32XX		Vertical Through-Hole Latch Type 47155-40X1		Vertical SMT 67489-800X		Straight-To-Straight Non-Latch Type 68561-001X
		Vertical Through-Hole (Footprint A or B) 67491-XXXX		Vertical SMT Latch Type 67800-50XX 47306-XXXX		Right Angle SMT With Metal Latch 67489-000X 67489-200X		Straight-To-Right Angle Latch Type 88762-54X0
				Vertical Through-Hole Latch Type (Footprint A or B) 67800-XXXX		Vertical SMT With Metal Latch 67489-900X 67489-700X		Straight-To-Right Angle Latch Type 68561-001X
SATA CONNECTORS FOR HDD/SSD	SATA PLUGS FOR HDD/SSD		SATA RIGHT ANGLE & VERTICAL HOST RECEPTACLES FOR HDD/SSD		SATA VERTICAL HOST RECEPTACLES FOR HDD/SSD		SATA TWO PIECE SOLUTION CONNECTORS FOR HDD/SSD	
		Straddle Mount With Latching 78448-00X1		Reverse Mount Right Angle SMT 67492-XXXX		Vertical Standard Height Through-Hole 87779-1001		Removable SATA Interposer 47657-1X00
		SMT Without Jumper 87703-00XX		Top Mount Right Angle SMT 47018-X0XX		Vertical Standard Height SMT 87713-100X		Bottom Mount SMT SATA Header 47657-2X00
		Right Angle SMT Micro SATA With Solder Tab 78285-00X1		Top Mount Right Angle SMT Micro SATA 78109-X0XX 78320-X001		Vertical Standard Height Press-Fit 87701-1001		Removable SATA 22 Pins Interposer 105129-1X00
		Right Angle SMT Micro SATA With Solder Tab 78283-0001		Vertical SMT Micro SATA 78492-000X		Vertical Extended Height Through-Hole 87678-1001		Bottom Mount SMT SATA 22 Pins Header 105129-2X00
				Vertical SMT Micro SATA 78500-0001		Vertical Extended Height SMT 87781-1001		Removable SATA 22 Pins Interposer 47662-100X
			Vertical SMT 78011-0X11		Vertical Extended Height Press-Fit 87780-1001		Reverse Mount Through-Hole SATA 22 Pins Header 47662-2X0X	
SLIMLINE SATA CONNECTORS FOR ODD	SLIMLINE SATA PLUGS FOR ODD		SLIMLINE SATA RECEPTACLES FOR ODD		SLIMLINE SATA TWO PIECE SOLUTION CONNECTORS FOR ODD		SLIMLINE SATA POWER CABLE ASSEMBLIES	
		Right Angle SMT Screw Nail Type 47300-100X		Vertical SMT With Fitting Nail & Cap 47650-000X		Removable Slimline SATA Interposer 47628-100X		Slimline SATA Cable Assembly 68801-1977
		Right Angle SMT Soldering Peg Type 47300-102X		Right Angle Through-Hole With Locking Nut & Cap 48321-X00X		Removable Slimline SATA Interposer 47639-3X00		
		Right Angle SMT Fitting Nail Type 47300-104X		Reverse Right Angle Through-Hole With Screw Nail & Cap 48325-XX0X		Bottom Mount Through-Hole Slimline SATA Header 47628-1X12		
				Reverse Right Angle SMT With Forklock & Cap 48330-000X		Removable Slimline SATA Interposer 47645-1X01		
				Reverse Right Angle SMT With Forklock & Cap 48336-X00X		Vertical Through-Hole Slimline SATA Header 47645-2X00		
						Removable Slimline SATA Interposer 47639-1X00		
						Removable Slimline SATA Interposer 47639-5X10		
					Vertical SMT Slimline SATA Header 47639-2X10			

SATA POWER CONNECTORS	SATA POWER CRIMP CONNECTORS		SATA POWER IDT CONNECTORS		SATA POWER CRIMP & IDT HARNESSSES		
		Crimp Terminal 67581-00XX 47128-100X		IDT Receptacle 67926-0XXX		4-pin Crimp-To-Crimp 88751-131X	
		Crimp Housing 67582-0000		Feed-To Cover For IDT Receptacle 67926-0040		4-pin Crimp-To-Pigtail 88751-141X	
		Slimline SATA Crimp Terminal 47634-100X		Feed-Through Cover For IDT Receptacle 67926-0X41		5-pin Crimp-To-Pigtail 88757-781X	
		Slimline SATA Crimp Housing 47634-2000				4-pin IDT-To-Pigtail 88761-45X0	
						4-pin IDT-To-Pigtail Latch Type 68561-001X	
						4-pin IDT-to-Pigtail 88761-46X0	
						4-pin IDT-To-Pigtail Latch Type 68561-002X	
						5-pin IDT-To-Pigtail 88761-47X0	
						5-pin IDT-To-Pigtail Latch Type 68561-002X	
EXTERNAL SATA CONNECTORS	CONNECTORS					CABLE ASSEMBLIES	
		Top Mount T/H eSATA & USB Combo +3.60 mm Contact Height 47661-100X		Through-Hole +2.63 mm Contact Height 47392-XX0X		Bottom Mount T/H eSATA & USB Combo -1.99 mm Contact Height 105127-100X	
		Reverse Mount T/H eSATA & USB Combo +0.39 mm Contact Height 47403-300X 47403-600X 47403-9002		Top Mount T/H eSATA & USB Combo +2.11 mm Contact Height 78560-000X		Reverse Mount T/H eSATA & USB Combo -0.45 mm Contact Height 105130-100X	
		Reverse Mount T/H USB +0.39 mm Contact Height 47403-610X		Top Mount T/H eSATA & USB Combo +1.81 mm Contact Height 78561-000X		Reverse Mount T/H eSATA & USB Combo +0.40 mm Contact Height 105131-100X	
		Reverse Mount T/H eSATA & USB Combo -0.45 mm Contact Height 47403-620X		Bottom Mount T/H Stacked eSATA & USB Combo & USB +6.38 mm/-3.51 mm Contact Height 105119-X000		Bottom Mount T/H eSATA & USB Combo +0.31 mm Contact Height 105131-200X	
		Bottom Mount T/H eSATA & USB Combo +1.59 mm Contact Height 47403-800X		Top Mount T/H eSATA & USB Combo +1.50 mm Contact Height 105123-100X		Top Mount T/H eSATA & USB Combo +3.37 mm Contact Height 105132-100X	
		Top Mount SMT +2.63 mm Contact Height 47379-XXXX		Top Mount T/H eSATA & USB Combo +1.64 mm Contact Height 105124-100X		Reverse Mount T/H eSATA & USB Combo With Detect Pin -0.45 mm Contact Height 105161-100X 105161-200X	
		Bottom Mount SMT +3.48 mm Contact Height 47391-X000		Top Mount T/H eSATA & USB Combo +4.18 mm Contact Height 105125-100X			
COMBO SATA CABLE ASSEMBLIES	CABLE ASSEMBLIES						
		Combo SATA Cable Assembly, Right Angle Male With Latch-To-Right Angle Female 68761-0586		Combo SATA With Power To Right Angle Signal With Latch & Micro SATA Cable Assembly 68761-0464			
		Combo SATA To Signal & 4-pin Power Cable Assembly 68761-0183		Combo SATA To Straight Signal With Latch & Power Cable Assembly 68761-0505			
		Combo SATA Cable Assembly, Straight With Latch-To-Right Angle 68761-0430		Combo SATA To Signal & 4-pin Micro-Fit Cable Assembly 68761-0248			

SERIAL ATA >



Receptacle with latch



SATA plug latch type



Right angle SMT SATA plug latch type

SATA SIGNAL RECEPTACLES							
Description	Lead-Free Order No.	Features					
		Plating	Housing Colour	Locking Option	Packaging	Mates With	
Right Angle SMT SATA Signal Receptacle	67489-100X	X denotes: 1 = Gold Flash; 2 = 30µ" Gold; 5 = 15µ" Gold	Black	Friction Lock	Tray	SATA Signal Plugs	
Vertical SMT SATA Signal Receptacle	67489-800X						
Right Angle SMT SATA Signal Receptacle With Metal Latch	67489-000X			Metal Latch			
	67489-200X						Metal Latch & Friction Lock
Vertical SMT SATA Signal Receptacle With Metal Latch	67489-900X			Metal Latch			
	67489-700X	Metal Latch & Friction Lock					

SATA SIGNAL PLUGS NON-LATCH TYPE							
Description	Lead-Free Order No.	Features					
		Plating	Housing Colour	PC Tail Length	Peg Type	Packaging	Mates With
Standard Mount Right Angle SMT SATA Signal Plug	67490-122X	X denotes: 0 = Gold Flash; 1 = 30 µ" Gold; 5 = 15 µ" Gold	Black	NA	Flat Metal Peg	Tray	SATA Signal Cable Assemblies
	67490-123X	X denotes: 0 = Gold Flash; 5 = 15 µ" Gold				Tape & Reel With Mylar	
	67490-124X	X denotes: 0 = Gold Flash; 5 = 15 µ" Gold				Tube With Mylar	
Reverse Mount Right Angle SMT SATA Signal Plug	67490-322X	X denotes: 0 = Gold Flash; 1 = 30 µ" Gold; 5 = 15 µ" Gold	Black	X denotes: 0,1,2 = 2.05mm	Flat Metal Peg	Tray	
	67490-323X	X denotes: 0 = Gold Flash; 1 = 30 µ" Gold; 5 = 15 µ" Gold				Tape & Reel	
Vertical Through-Hole SATA Signal Plug (Footprint A)	67491-002X	X denotes: 0 = Gold Flash; 1 = 30 µ" Gold; 2 = 15 µ" Gold	Black	3.00mm	Flat Metal Peg	Tray	
Vertical Through-Hole SATA Signal Plug (Footprint B)	67491-103X	Gold Flash					
	67491-1038	30 µ" Gold					
	67491-1040	15 µ" Gold					

SATA SIGNAL PLUGS LATCH TYPE							
Description	Lead-Free Order No.	Features					
		Plating/Housing	Housing Colour	PC Tail Length	Peg Type	Packaging	Mates With
Right Angle SMT SATA Signal Plug Latch Type	47080-1020	30 µ" Gold with Matte Tin	Black	NA	Flat Metal Peg	Tape & Reel With Mylar	SATA Signal Cable Assemblies
	47080-400X	X denotes: 1 = Gold Flash; 2 = 30 µ" Gold; 5 = 15 µ" Gold					
Vertical Through-Hole SATA Signal Plug Latch Type	47155-4001	Gold Flash	Black	2.10mm	Flat Metal Peg	Tray	
	47155-4031		Blue				
	47155-4041		Natural				
Vertical SMT SATA Signal Plug Latch Type	67800-50XY	X denotes: 2 = 3.45mm peg; 1 = 3.05mm peg; 0 = 2.65mm peg;	Black	NA	Staggered Round Peg	Tape & Reel With Mylar	
	67800-5004		Yellow				
	67800-5003		Blue				
	47306-50XY	Y denotes: 1 = Gold Flash; 2 = 30 µ" Gold; 5 = 15 µ" Gold	Black			Tape & Reel	
	47306-20XY						
47306-5201			Tape & Reel With Mylar				
Vertical Through-Hole SATA Signal Plug Latch Type (Footprint A)	67800-8052	Thermoplastic, 30 µ" Gold	Natural	2.85mm	Flat Metal Peg	Tray	
	67800-8245	Thermoplastic, 15 µ" Gold		2.10mm			
	67800-8041	Thermoplastic, Gold Flash		2.45mm			

SATA SIGNAL PLUGS LATCH TYPE								
Description	Lead-Free Order No.	Features						
		Plating/Housing	Housing Colour	PC Tail Length	Peg Type	Packaging	Mates With	
Vertical Through-Hole SATA Signal Plug Latch Type (Footprint A)	67800-808X	Thermoplastic, X denotes: 2 = 30 μ" Gold; 5 = 15 μ" Gold	Blue	3.25mm	Flat Metal Peg	Tray	SATA Signal Cable Assemblies	
	67800-807X	Thermoplastic, X denotes: 1 = Gold Flash; 2 = 30 μ" Gold; 5 = 15 μ" Gold		2.85mm				
	67800-8235	Thermoplastic, 15 μ" Gold		2.10mm				
	67800-803X	Thermoplastic, X denotes: 2 = 30 μ" Gold; 5 = 15 μ" Gold		2.45mm				
	67800-802X	Thermoplastic, X denotes: 1 = Gold Flash; 5 = 15 μ" Gold	Black	3.25mm				Tape & Reel With Mylar
	67800-8305	Thermoplastic, 15 μ" Gold		2.10mm				
	67800-800X	Thermoplastic, X denotes: 1 = Gold Flash; 2 = 30 μ" Gold; 5 = 15 μ" Gold		2.45mm				
	67800-812X	High Temperature Thermoplastic, X denotes: 2 = 30 μ" Gold; 5 = 15 μ" Gold		3.25mm				
	67800-8115	High Temperature Thermoplastic, 15 μ" Gold		2.85mm				
	67800-8205			2.45mm				
	67800-810X	High Temperature Thermoplastic, X denotes: 1 = Gold Flash; 2 = 30 μ" Gold						
Vertical Through-Hole SATA Signal Plug Latch Type (Footprint B)	67800-705X	Thermoplastic, X denotes: 1 = Gold Flash; 2 = 30 μ" Gold; 5 = 15 μ" Gold	Natural	2.85mm	Tray			
	67800-704X	Thermoplastic, X denotes: 2 = 30 μ" Gold; 5 = 15 μ" Gold		2.45mm				
	67800-7082	Thermoplastic, 30 μ" Gold	Blue	3.25mm				
	67800-707X	Thermoplastic, X denotes: 1 = Gold Flash; 2 = 30 μ" Gold; 5 = 15 μ" Gold		2.85mm				
	67800-703X	Thermoplastic, X denotes: 1 = Gold Flash; 5 = 15 μ" Gold		2.45mm				
	67800-702X	Thermoplastic, X denotes: 1 = Gold Flash; 2 = 30 μ" Gold; 5 = 15 μ" Gold	Black	3.25mm				
	67800-701X	Thermoplastic, X denotes: 1 = Gold Flash; 5 = 15 μ" Gold		2.85mm				
	67800-700X	Thermoplastic, X denotes: 1 = Gold Flash; 2 = 30 μ" Gold; 5 = 15 μ" Gold		2.45mm				
	67800-711X	High Temperature Thermoplastic, X denotes: 1 = Gold Flash; 5 = 15 μ" Gold		2.85mm				
	67800-710X	High Temperature Thermoplastic, X denotes: 2 = 30 μ" Gold; 5 = 15 μ" Gold		2.45mm				



Vertical through-hole plug latch type



Vertical SMT plug latch type

SERIAL ATA >



Reverse mount right angle SMT receptacle



Top mount Micro SATA



Vertical through-hole receptacle

SATA RIGHT ANGLE HOST RECEPTACLES FOR HDD/SSD									
Description	Lead-Free Order No.	Z Height (mm)	Plating	Fork Lock Width (mm)	Features				
					Housing Color	Packaging	Mates With	Drive Form Factor	
Reverse Mount SMT SATA Host Receptacle	67492-142X	4.15	X denotes: 0 = Gold Flash; 1 = 30 μ" Gold; 2 = 15 μ" Gold	2.45	Black	Tray	SATA Plugs For HDD/SSD	2.5"/3.5"	
	67492-132X	3.50							
	67492-112X	1.80							
	67492-922X	4.99							
	67492-122X	4.15							
	67492-143X	4.15	2.33						
	67492-144X	3.50	2.45	Gold Flash					
	67492-1326			30 μ" Gold					
	67492-1327			15 μ" Gold					
	67492-1224			Gold Flash					
	67492-1225			30 μ" Gold					
	67492-1226	15 μ" Gold							
	67492-163X	2.70	2.30	X denotes: 0 = Gold Flash; 1 = 30 μ" Gold; 2 = 15 μ" Gold	2.05	Black	Tape & Reel With Cap	Micro SATA Plugs For HDD/SSD	1.8"
	67492-173X	1.95							
	67492-162X	2.70							
67492-172X	1.95								
67492-193X	1.80								
67492-192X	1.80								
Top Mount SMT SATA Host Receptacle	47018-400X	3.40	30 μ" Gold	Round Peg	Black	Tray	SATA Plugs For HDD/SSD	2.5"/3.5"	
	47018-201X	2.55							
	47018-200X								
Top Mount Right Angle SMT Micro SATA Host Receptacle	78109-0001	0.00	30 μ" Gold	Round Peg	Black	Tray	Micro SATA Plugs For HDD/SSD	1.8"	
	78109-1001								
	78109-0012								
	78109-1012								
	78320-0001								
78320-1001	3.80								
Vertical SMT Micro SATA Host Receptacle	78492-000X	N.A.	X denotes: 1 = Gold Flash; 2 = 15 μ" Gold; 3 = 30 μ" Gold	Dual-shaped Peg	Black (LCP)	Tape & Reel With Kapton	Micro SATA Plugs For HDD/SSD	1.8"	
Vertical SMT Micro SATA Host Receptacle	78500-0001		30 μ" Gold						

SATA VERTICAL HOST RECEPTACLES FOR HDD/SSD								
Description	Lead-Free Order No.	Height (mm)	Plating	Peg Length (mm)	Kapton Tape	Packaging	Mates With	Drive Form Factor
Standard Height SMT SATA Host Receptacle	87713-1001							
	87713-1005							
Standard Height Press-Fit SATA Host Receptacle	87701-1001							
Extended Height Through-Hole SATA Host Receptacle	87678-1001	14.15	30 μ" Gold	3.70	No	Tray	SATA Plugs For HDD/SSD	2.5"/3.5"
Extended Height SMT SATA Host Receptacle	87781-1001							
Extended Height Press-Fit SATA Host Receptacle	87780-1001							
Vertical SMT SATA Host Receptacle	78011-0011	8.15	30 μ" Gold	1.00		Tape & Reel With Cap	SATA Plugs For HDD/SSD	2.5"/3.5"
	78011-0111							

SATA PLUGS FOR HDD/SSD					
Description	Lead-Free Order No.	Features			
		Plating	Packaging	Mates With	Drive Form Factor
Straddle Mount SATA Plug With Latching	78448-0001	30 μ" Gold	Tape & Reel	SATA Host Receptacles	2.5"/3.5"
	78448-0011		Tray		
SMT SATA Plug Without Jumper	87703-0067	Gold Flash	Tape & Reel	SATA Host Receptacles	2.5"/3.5"
	87703-0001		Tray		
Right Angle SMT Micro SATA Plug With Solder Tab	78285-0001	30 μ" Gold	Tape & Reel With Cap	Micro SATA Host Receptacles	1.8"
	78285-0021				
	78283-0001				


SATA plug

Micro SATA plug

Two piece SATA

SATA TWO PIECE SOLUTION CONNECTORS FOR HDD/SSD								
Description	Lead-Free Order No.	Z Height (mm)	Plating	Features				Drive Form Factor
				Fork Lock Width (mm)	Hold-Down Type	Packaging	Mates With	
Removable SATA Interposer (for two piece solution)	47657-1X00	4.80	X denotes: 0 = Gold Flash; 1 = 15 μ" Gold; 2 = 30 μ" Gold	N.A.	Screw	Tray With Cap	47657-2X00, SATA Plugs For HDD/SSD	2.5"/3.5"
Bottom Mount SMT SATA Header (for two piece solution)	47657-2X00			2.10	Forklock	Tape & Reel With Cap	47657-1X00	
Removable SATA 22 Pins Interposer (for two piece solution)	105129-1X00	4.00		N.A.	Screw	Tray With Cap	105129-2X00, SATA Plugs For HDD/SSD	
Bottom Mount SMT SATA 22 Pins Header (for two piece solution)	105129-2X00			2.10	Forklock	Tape & Reel With Cap	105129-1X00	
Removable SATA 22 Pins Interposer (for two piece solution)	47662-100X	8.20		N.A.	N.A.	Tray With Cap	47662-200X, 47662-210X, SATA Plugs For HDD/SSD	
Reverse Mount Through-Hole SATA 22 Pins Header (for two piece solution)	47662-200X			2.10	With Forklock	Tape & Reel With Cap	47662-100X	
	47662-210X		Without Forklock					

SERIAL ATA >



**Right angle
ODD SATA plug**



**Vertical SMT
ODD SATA
receptacle**



**Right angle ODD
SATA receptacle**

SLIMLINE SATA PLUGS FOR ODD						
Description	Lead-Free Order No.	Features				
		Z-Height (mm)	Plating	Hold-Down Option	Packaging	Mates With
Right Angle SMT Screw Nail Type	47300-100X	3.20	X denotes: 0 or 1 = Gold Flash; 2 or 3 = 15 μ" Gold; 4 or 5 = 30 μ" Gold	Stainless Steel Screw Nail (X = 0,2,4) OR Phosphor Bronze Screw Nail (X = 1,3,5)	Tape & Reel	Slimline SATA Receptacles
Right Angle SMT Soldering Peg Type	47300-102X			Soldering Peg		
Right Angle SMT Fitting Nail Type	47300-104X		X denotes: 0 = Gold Flash; 1 = 15 μ" Gold; 2 = 30 μ" Gold	Solder Nail		

SLIMLINE SATA RECEPTACLES FOR ODD						
Description	Lead-Free Order No.	Features				
		Z-Height (mm)	Plating	Hold-Down Option	Packaging	Mates With
Vertical SMT With Fitting Nail & Cap	47650-0001	NA	Gold Flash	Solder Tab		
	47650-0002		15 μ" Gold			
Right Angle Through-Hole With Locking Nut & Cap	48321-100X	1.25	X denotes: 0 = Gold Flash; 1 = 15 μ" Gold; 2 = 30 μ" Gold	Locking Nut With Pin Alignment		
	48321-200X	2.00		Locking Nut		
Reverse Right Angle Through-Hole With Screw Nail & Cap	48325-400X	4.05		Screw Nail	Tape & Reel	Slimline SATA Plugs
	48325-500X	9.05				
	48325-600X	5.55				
	48325-110X	5.00				
Reverse Right Angle SMT With Forklock & Cap	48330-000X	5.10	X denotes: 1 = Gold Flash; 2 = 15 μ" Gold; 3 = 30 μ" Gold	Forklock		
Reverse Right Angle SMT With Forklock & Cap	48336-100X	5.35				
	48336-200X	5.85				

SLIMLINE SATA TWO PIECE SOLUTION CONNECTORS FOR ODD						
Description	Lead-Free Order No.	Features				
		Z-Height (mm)	Plating	Hold-Down Type	Packaging	Mates With
Removable Slimline SATA Interposer (for two piece solution)	47628-100X	4.65	X denotes: 2 = Gold Flash; 1 = 15 μ" Gold; 0 = 30 μ" Gold	Screw	Tray With Cap	47628-1X12, Slimline SATA Plugs
Bottom Mount Through-Hole Slimline SATA Header (for two piece solution)	47628-1X12			Forklock	Tape & Reel With Cap	47628-100X, 47639-3X00
Removable Slimline SATA Interposer (for two piece solution)	47645-1X01	5.25	X denotes: 0 = Gold Flash; 1 = 15 μ" Gold; 2 = 30 μ" Gold	Screw	Tray With Cap	47645-2X00, Slimline SATA Plugs
Vertical Through-Hole Slimline SATA Header (for two piece solution)	47645-2X00			Forklock	Tape & Reel With Cap	47645-1X01
Removable Slimline SATA Interposer (for two piece solution)	47639-1X00	1.82	X denotes: 5 = Gold Flash; 4 = 15 μ" Gold; 3 = 30 μ" Gold	Screw	Tray With Cap	47639-2X10, Slimline SATA Plugs
	47639-3X00	4.00	X denotes: 0 = Gold Flash; 1 = 15 μ" Gold; 2 = 30 μ" Gold			47628-1X12, Slimline SATA Plugs
Removable Slimline SATA Interposer (for two piece solution)	47639-5X10	1.45	X denotes: 2 = Gold Flash; 1 = 15 μ" Gold; 0 = 30 μ" Gold			47639-2X10, Slimline SATA Plugs
Vertical SMT Slimline SATA Header (for two piece solution)	47639-2X10	1.82	X denotes: 0 = Gold Flash; 1 = 15 μ" Gold; 2 = 30 μ" Gold	Forklock	Tape & Reel With Cap	47639-1X00


Header

Interposer

Interposer

SERIAL ATA >



Crimp housing



IDT feed through cover

SATA POWER CRIMP CONNECTORS						
Description	Lead-Free Order No.	Features				
		Plating	Reel Direction	Wire Gauge	Packaging	Use With
SATA Power Crimp Terminal	67581-000X	X denotes: 0 = Gold Flash; 1 = 30 μ" Gold; 2 = 15 μ" Gold	Clockwise	18 AWG	Reel	SATA Power Crimp Housings
	67581-001X					
	47128-100X					
	47128-1009	Unplated	18 AWG 22 AWG			
Slimline SATA Power Crimp Terminal	47634-100X	X denotes: 0 = Gold Flash; 1 = 30 μ" Gold; 2 = 15 μ" Gold	Anti-Clockwise	18-20 AWG 22-24 AWG		Slimline SATA Power Crimp Housings

SATA POWER CRIMP CONNECTORS						
Description	Lead-Free Order No.	Features				
		Pitch	Housing	Packaging	Use With	Mates With
SATA Power Crimp Housing	67582-0000	1.27mm	Thermoplastic	Bag	67581 and 47128 SATA Power Crimp Terminals	SATA Plugs
Slimline SATA Power Crimp Housing	47634-2000	1.00mm			47634-100X Slimline SATA Power Crimp Terminals	Slimline SATA Plugs

SATA POWER IDT CONNECTORS						
Description	Lead-Free Order No.	Features				
		Plating	Wire Gauge	Packaging	Remarks	Mates With/Use With
SATA Power IDT Receptacle	67926-0X0Y	Y denotes: 1 = Gold Flash; 2 = 30 μ" Gold; 5 = 15 μ" Gold	X denotes: 0 = 18 AWG; 4 = 22 AWG	Tray	With Latch Without Bump	Mates With SATA Plugs
	67926-0X2Y				With Latch With Bump	
	67926-0X1Y				Without Latch With Bump	
	67926-031Y	Y denotes: 1 = Gold Flash; 5 = 15 μ" Gold	20 AWG			
Feed-To Cover For SATA Power IDT Receptacle	67926-0040 (Non Halogen-Free)	NA	NA	Bag	Feed-To Termination	Use With SATA Power IDT Receptacle
Feed-Through Cover For SATA Power IDT Receptacle	67926-0841 (Halogen Free) 67926-0041 (Non Halogen-Free)				Feed-Through Termination	

EXTERNAL SATA RIGHT ANGLE RECEPTACLES										
Description	Lead-Free Order No.	Features								
		Plating	Housing Color	Peg Type	Packaging	Mates With				
Top Mount Through-Hole eSATA & USB Combo Receptacle +3.60 mm Contact Height	47661-100X	X denotes: 0 = Gold Flash; 1 = 15 μ" Gold; 2 = 30 μ" Gold	Black	Linear Pegs	Tape & Reel With Mylar	External SATA Plugs				
Reverse Mount Through-Hole eSATA & USB Combo Receptacle +0.39 mm Contact Height	47403-300X (Halogen Free)									
	47403-600X									
Reverse Mount Through-Hole USB Receptacle +0.39 mm Contact Height	47403-610X									
Reverse Mount Through-Hole eSATA & USB Combo Receptacle -0.45 mm Contact Height	47403-620X									
Bottom Mount Through-Hole eSATA & USB Combo Receptacle +1.59 mm Contact Height	47403-800X	30 μ" Gold	Black	With Solder Tabs	Tape & Reel	External SATA Plugs				
Reverse Mount Through-Hole eSATA & USB Combo Receptacle +0.39 mm Contact Height	47403-9002									
Reverse Mount Through-Hole eSATA & USB Combo Receptacle +0.39 mm Contact Height	47403-9002									
Top Mount SMT eSATA Receptacle +2.63 mm Contact Height	47379-X000 47379-X010 47379-X100 47379-X110	X denotes: 0 = Gold Flash; 1 = 15 μ" Gold; 2 = 30 μ" Gold	Black	Staggered Pegs	Tape & Reel With Mylar	External SATA Plugs				
Bottom Mount SMT eSATA Receptacle +3.48 mm Contact Height	47391-X000	X denotes: 0 and 5 = Gold Flash; 1 and 4 = 15 μ" Gold; 2 and 3 = 30 μ" Gold; 0, 1, 2 for Wave Solder Only; 3, 4, 5 For IR & Wave Solder	Natural	Staggered Pegs	Tape & Reel With Mylar	External SATA Plugs				
Through-Hole eSATA Receptacle +2.63 mm Contact Height	47392-0X01									
	47392-1X01									
	47392-0X02									
	47392-1X02									
	47392-0X03									
	47392-1X03									
	47392-0X04									
	47392-1X04									
	47392-0X05									
47392-1X05										
Top Mount Through-Hole eSATA & USB Combo Receptacle +2.11 mm Contact Height	78560-000X			X denotes: 1 = 30 μ" Gold; 2 = 15 μ" Gold			Black	With Solder Clips	Tape & Reel With Kapton	External SATA Plugs
Top Mount Through-Hole eSATA & USB Combo Receptacle +1.81 mm Contact Height	78561-000X									



**Top mount
combo receptacle**

SERIAL ATA >



**Reverse mount
combo receptacle**

EXTERNAL SATA RIGHT ANGLE RECEPTACLES						
Description	Lead-Free Order No.	Features				
		Plating	Housing Color	Peg Type	Packaging	Mates With
Bottom Mount Through-Hole Stacked eSATA & USB Combo Receptacle & USB Receptacle +6.38 mm/-3.51 mm Contact Height	105119-X000	X denotes: 1 = 15 μ" Gold; 2 = 30 μ" Gold	Black	N.A.	Tape & Reel With Mylar	External SATA Plugs
Top Mount Through-Hole eSATA & USB Combo Receptacle +1.50 mm Contact Height	105123-100X			With Solder Tabs	Tape & Reel	
Top Mount Through-Hole eSATA & USB Combo Receptacle +1.64 mm Contact Height	105124-100X			With Solder Clips		
Top Mount Through-Hole eSATA & USB Combo Receptacle +4.18 mm Contact Height	105125-100X			Linear Pegs		
Bottom Mount Through-Hole eSATA & USB Combo Receptacle -1.99 mm Contact Height	105127-100X			With Solder Clips	Tape & Reel With Mylar	
Reverse Mount Through-Hole eSATA & USB Combo Receptacle -0.45 mm Contact Height	105130-100X			With Solder Clips		
Reverse Mount Through-Hole eSATA & USB Combo Receptacle +0.40 mm Contact Height	105131-100X			With Solder Tabs		
Bottom Mount Through-Hole eSATA & USB Combo Receptacle +0.31 mm Contact Height	105131-200X				Tape & Reel	
Top Mount Through-Hole eSATA & USB Combo Receptacle +3.37 mm Contact Height	105132-100X			With Solder Clips	Tape & Reel With Mylar	
Reverse Mount Through-Hole eSATA & USB Combo With Detect Pin Receptacle -0.45 mm Contact Height	105161-100X		Tape & Reel			
	105161-200X		Tape & Reel With Mylar			

CABLE ASSEMBLIES			
Description	Order No.	Features	Mates With
eSATA-To-eSATA Cable Assembly	68782-0001	1.0m, Black	eSATA Connectors
	68782-0002	2.0m, Black	
Slimline SATA Power Cable Assembly	68801-1977	0.26m, Black	Slimline SATA Connectors
Signal Cable Assembly, Straight-To-Straight	88750-5310	0.5m, Grey	Signal Plugs 67490 67491
	88750-5318	0.5m, Red	
	88750-5418	1.0m, Red	
Signal Cable Assembly, Straight Latching-To-Straight Latching	68561-0014	0.5m, Red	Combo Plugs 78448
	68561-0015	1.0m, Red	
Signal Cable Assembly, Straight-To-Right Angle	88762-5400	0.5m, Red	67490 67491
	88762-5410	1.0m, Red	
Signal Cable Assembly, Straight Latching-To-Right Angle Latching	68561-0016	0.5m, Red	67800 47080
	68561-0017	1.0m, Red	
Power Adapter, Crimping Type	88751-1310	6", Gold flash, (5V+12V)	78448 87703
	88751-1311	6", 0.76µm/30µ" Gold, (5V+12V)	
4-pin Power Harness To Pigtail, Crimping Type	88751-1410	1.5m, Gold Flash, (5V+12V)	78448 87703
	88751-1411	1.5m, 0.76µm/30µ" Gold, (5V+12V)	
5-pin Power Harness To Pigtail, Crimping Type	88757-7810	1.5m, Gold Flash, (3.3V+5V+12V)	78448 87703
	88757-7811	1.5m, 0.76µm/30µ" Gold, (3.3V+5V+12V)	
Power Adapter, IDT Type	88761-4500	6", Gold Flash, (5V+12V) Feed-To Version	NA
	88761-4510	6", 0.76µm/30µ" Gold, (5V+12V) Feed-To-Version	
Power Adapter, IDT With Latch Type	68561-0018	6", Gold Flash, (5V+12V) Feed-To Version	78448
	68561-0019	6", 0.76µm/30µ" Gold, (5V+12V) Feed-To-Version	
4-pin Power Harness To Pigtail, IDT Type	88761-4600	1.5m, Gold Flash, (5V+12V) Feed-To Version	78448 87703
	88761-4610	1.5m, 0.76µm/30µ" Gold, (5V+12V) Feed-To-Version	
4-pin Power Harness To Pigtail, IDT With Latch Type	68561-0020	1.5m, Gold Flash, (5V+12V) Feed-To Version	78448
	68561-0021	1.5m, 0.76µm/30µ" Gold, (5V+12V) Feed-To-Version	
5-pin Power Harness To Pigtail, IDT Type	88761-4700	1.5m, Gold Flash, (3.3V+5V+12V) Feed-To Version	78448 87703
	88761-4710	1.5m, 0.76µm/30µ" Gold, (3.3V+5V+12V) Feed-To-Version	
5-pin Power Harness To Pigtail, IDT With Latch Type	68561-0022	1.5m, Gold Flash, (3.3V+5V+12V) Feed-To Version	78448
	68561-0023	1.5m, 0.76µm/30µ" Gold, (3.3V+5V+12V) Feed-To-Version	


Slimline SATA power cables

SATA signal cables

SATA power harness

SATA power adapter IDT type

Combo SATA cables

COMBO SATA CABLE ASSEMBLIES		
Description	Order No.	Features
Combo SATA Cable Assembly, Right Angle Male With Latch-To-Right Angle Female	68761-0586	Cable length made to customer requirement
Combo SATA To Signal & 4-pin Power Cable Assembly	68761-0183	
Combo SATA Cable Assembly, Straight With Latch-To-Right Angle	68761-0430	
Combo SATA With Power To Right Angle Signal With Latch & Micro SATA Cable Assembly	68761-0464	
Combo SATA To Straight Signal With Latch & Power Cable Assembly	68761-0505	
Combo SATA To Signal & 4-pin Micro-Fit Cable Assembly	68761-0248	

Get more insights at: molex.com/product/serial_ata.html