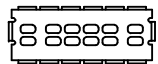
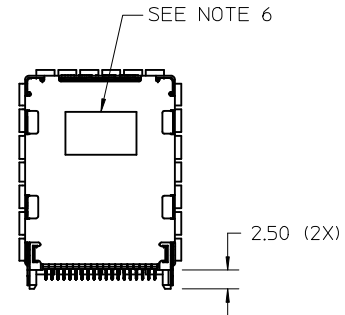
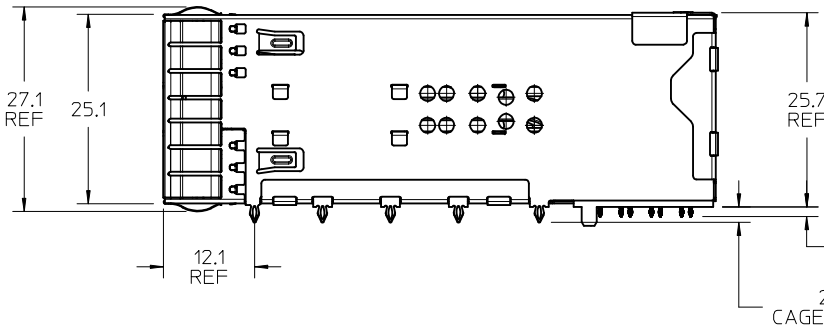
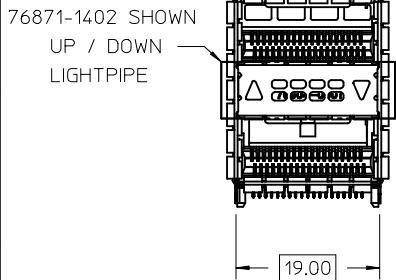
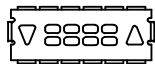


NOTES

1. MATERIALS
 CAGE: NICKLE SILVER, 0.25 THICK
 SPRING FINGERS: PHOS. BRONZE, 0.10 THICK
 CONNECTOR HOUSING: HIGH PERFORMANCE THERMOPLASTIC, 94V-0
 TERMINALS: HIGH PERFORMANCE COPPER ALLOY, 0.18 THICK
2. FINISH
 SPRING FINGERS: 100µm NICKEL OVERALL
 TERMINALS: CONTACT AREA: 0.76µm MIN GOLD OVER
 2.5µm MIN NICKEL
 COMPLIANT AREA: 0.76-1.52µm MATTE TIN
 OVER 1.27µm MIN NICKEL
3. ALL SURFACES TO BE CLASS "C" OR BETTER PER MOLEX COSMETIC SPECIFICATION PS-45499-002
4. REFER TO PK-76871-9001 FOR PACKAGING INFORMATION
5. CONNECTOR INTENDED TO MATE WITH CABLE PLUG SERIES 74757 AND 74758
6. DATE CODE LOCATION SHOWN. DATE CODE FORMAT: DDD Y
 DDD = DAY OF THE YEAR, Y = YEAR



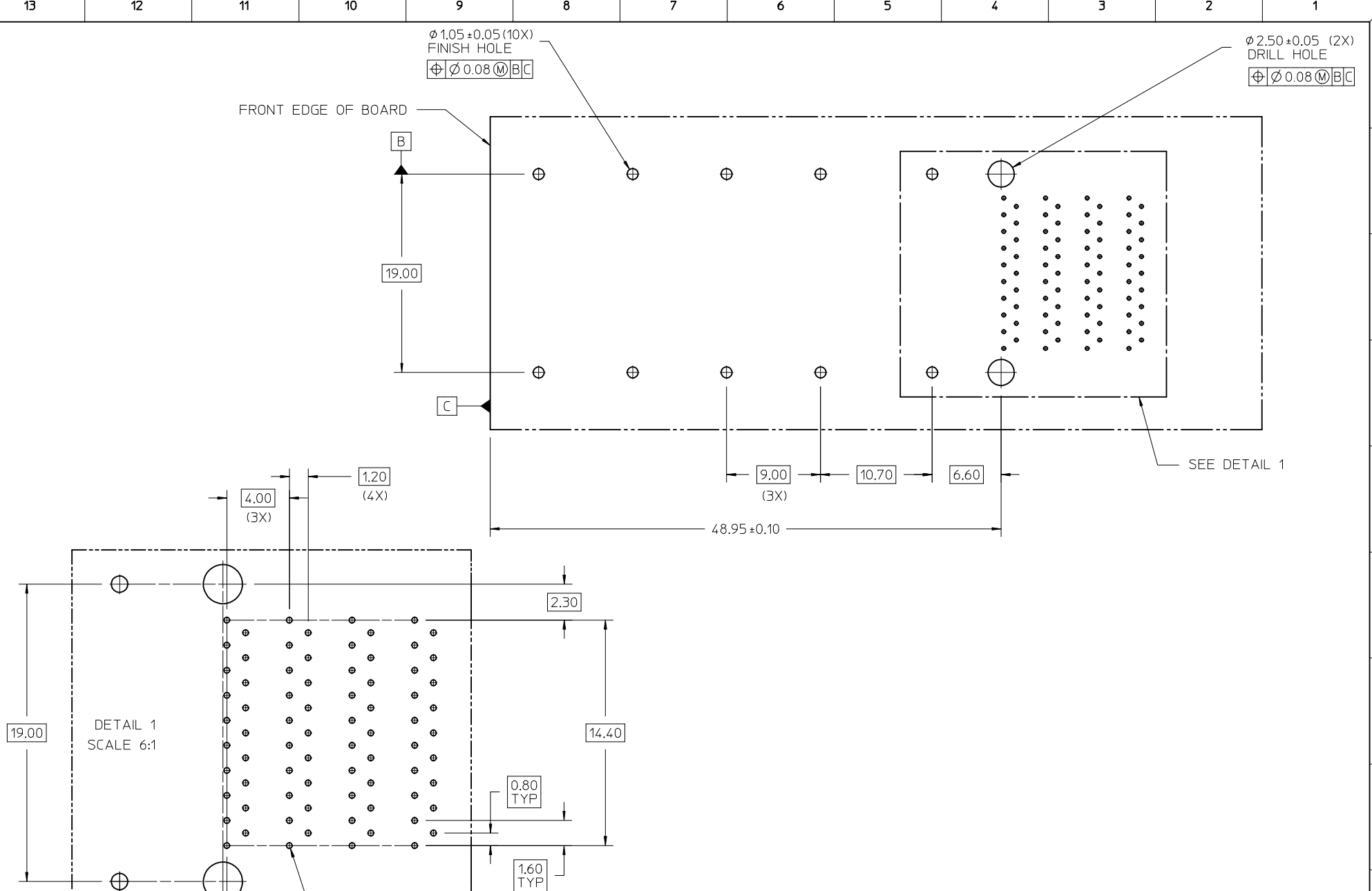
76871-1401
AIRFLOW ONLY
NO LIGHTPIPE



76871-1403
DOWN / UP
LIGHTPIPE

PART NUMBER	AIRFLOW / LIGHTPIPE OPTION
768711401	AIRFLOW ONLY, NO LIGHTPIPE
768711402	UP / DOWN LIGHTPIPE INDICATOR
768711403	DOWN / UP LIGHTPIPE INDICATOR

ADDED PIN ASSIGNMENT LABELS EC NO: UCP2014-1018 DRAWN/HAVERY 2013/09/03 CHKD: APPR:MBANAKIS 2013/09/04	QUALITY SYMBOLS	GENERAL TOLERANCES (UNLESS SPECIFIED)	DIMENSION STYLE MM ONLY	SCALE 2:1	DESIGN UNITS METRIC	THIRD ANGLE PROJECTION
	▽=0	4 PLACES ± --- ± ---	DRAWN BY JKACHLIC	DATE 2012/08/09	TITLE QSFP+ 2X1 W/EMI SPRINGS	
	▽=0	3 PLACES ± --- ± ---	CHECKED BY	DATE	APPROVED BY MBANAKIS	
	▽=0	2 PLACES ±0.13 ± ---	DATE 2012/08/22		DATE 2012/08/22	
		1 PLACE ±0.25 ± ---	MATERIAL NO.		DOCUMENT NO.	
		0 PLACE ± --- ± ---	SEE CHART		SD-76871-1400	
		ANGULAR ±1/2°	SIZE		SHEET NO.	
		DRAFT WHERE APPLICABLE MUST REMAIN WITHIN DIMENSIONS	THIS DRAWING CONTAINS INFORMATION THAT IS PROPRIETARY TO MOLEX INCORPORATED AND SHOULD NOT BE USED WITHOUT WRITTEN PERMISSION		1 OF 3	



Ø 1.05 ± 0.05 (10X)
FINISH HOLE
⊕ Ø 0.08 (M) B C

Ø 2.50 ± 0.05 (2X)
DRILL HOLE
⊕ Ø 0.08 (M) B C

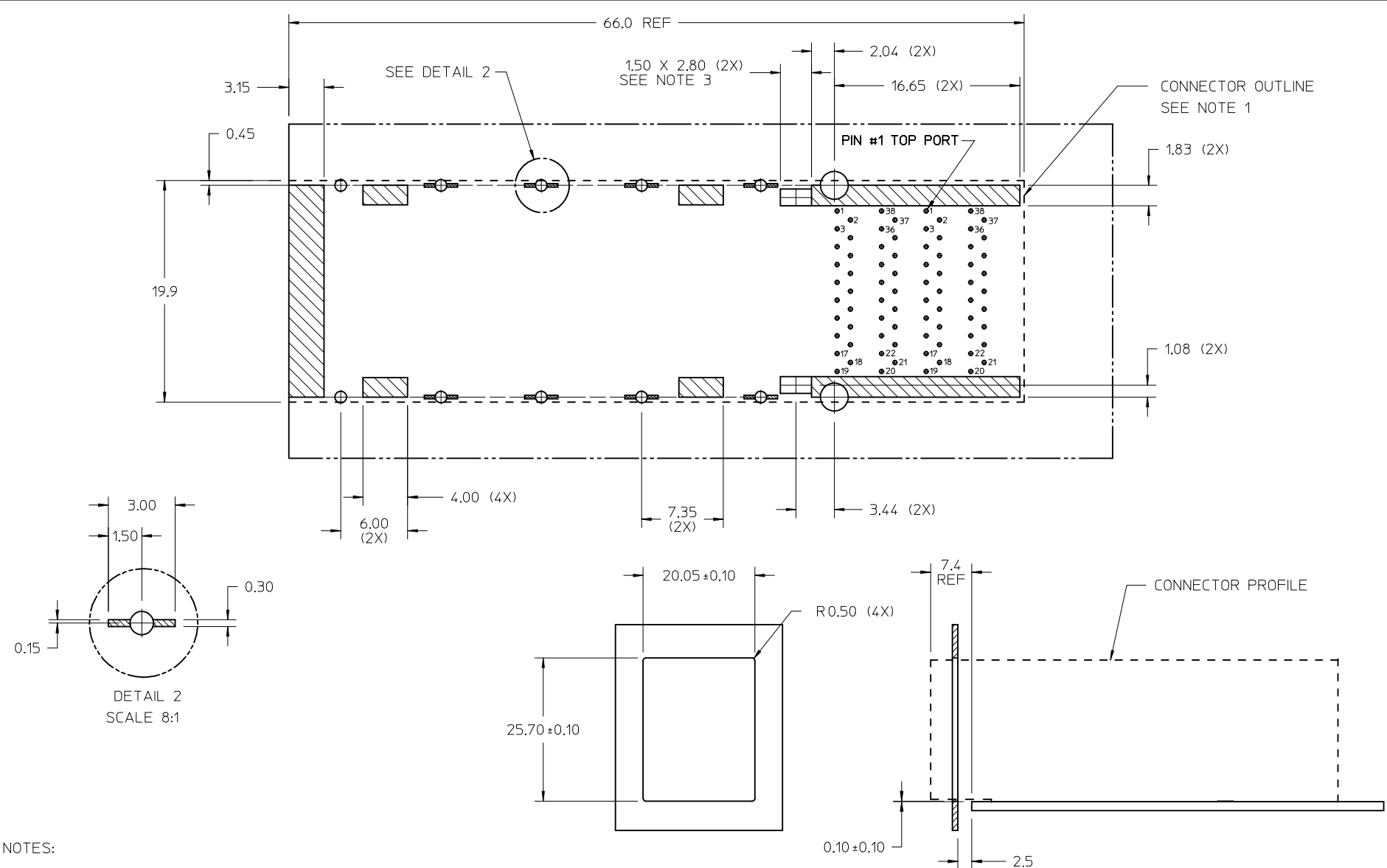
FRONT EDGE OF BOARD

SEE DETAIL 1

DETAIL 1
SCALE 6:1

Ø 0.37 ± 0.05 (76X)
FINISH HOLE
⊕ Ø 0.08 (M) B C

SEE SHEET 1 EC NO: UCP2014-1018 DRW: NHAVERY 2013/09/03 CHKD: APPR: MBANAKIS 2013/09/04	QUALITY SYMBOLS	GENERAL TOLERANCES (UNLESS SPECIFIED)		DIMENSION STYLE MM ONLY		SCALE 4:1	DESIGN UNITS METRIC	THIRD ANGLE PROJECTION	
	▽=0	mm	INCH	DRAWN BY	DATE	TITLE QSFP+ 2X1 W/EMI SPRINGS			
	▽=0	4 PLACES ± ---	± ---	JKACHLIC	2012/08/09	molex DOCUMENT NO. SD-76871-1400			
	▽=0	3 PLACES ± ---	± ---	CHECKED BY	DATE				
		2 PLACES ± 0.13	± ---	APPROVED BY	DATE	THIS DRAWING CONTAINS INFORMATION THAT IS PROPRIETARY TO MOLEX INCORPORATED AND SHOULD NOT BE USED WITHOUT WRITTEN PERMISSION			
		1 PLACE ± 0.25	± ---	MBANAKIS	2012/08/22				
		0 PLACE ± ---	± ---	MATERIAL NO.					
		ANGULAR ± 1/2°		SEE CHART					
		DRAFT WHERE APPLICABLE MUST REMAIN WITHIN DIMENSIONS		SIZE C					



NOTES:

1. THE ENTIRE AREA UNDER THE CONNECTOR IS A COMPONENT KEEP-OUT ZONE
2. CROSS HATCHED AREAS INDICATE PLACES WHERE THE PLASTIC HOUSING AND METAL CAGE MAY BE IN CONTACT WITH THE PCB SURFACE. THESE AREAS ARE TRACE KEEP-OUT ZONES
3. THESE 2 RECTANGULAR ZONES ARE FOR LED PLACEMENT. LED HEIGHT SHOULD NOT EXCEED 0.8 AND PLACEMENT SHOULD BE CENTERED WITHIN THIS LED KEEP-IN ZONE
4. RECOMMENDED LED CHIP PACKAGE SIZE IS 0805

PANEL OPENING REQUIREMENTS

SEE SHEET 1 EC NO: UCP2014-1018 DRWN:HAVERY 2013/09/03 CHKD: MBANAKIS 2013/09/04 APPR:MBANAKIS	DESCRIPTION REV: B	QUALITY SYMBOLS	GENERAL TOLERANCES (UNLESS SPECIFIED)	DIMENSION STYLE MM ONLY	SCALE 2:1	DESIGN UNITS METRIC	THIRD ANGLE PROJECTION	
		▽=0	mm INCH	DRAWN BY JKACHLIC	DATE 2012/08/09	TITLE QSFP+ 2X1 W/EMI SPRINGS		
		▽=0	4 PLACES ± --- ± ---	CHECKED BY	DATE	molex DOCUMENT NO. SD-76871-1400 SHEET NO. 3 OF 3		
		▽=0	3 PLACES ± --- ± ---	APPROVED BY MBANAKIS	DATE 2012/08/22			
		2 PLACES ± 0.13 ± ---	MATERIAL NO.		SIZE C THIS DRAWING CONTAINS INFORMATION THAT IS PROPRIETARY TO MOLEX INCORPORATED AND SHOULD NOT BE USED WITHOUT WRITTEN PERMISSION			
		1 PLACE ± 0.25 ± ---	DRAFT WHERE APPLICABLE MUST REMAIN WITHIN DIMENSIONS					
		0 PLACE ± --- ± ---	ANGULAR ±1/2°					