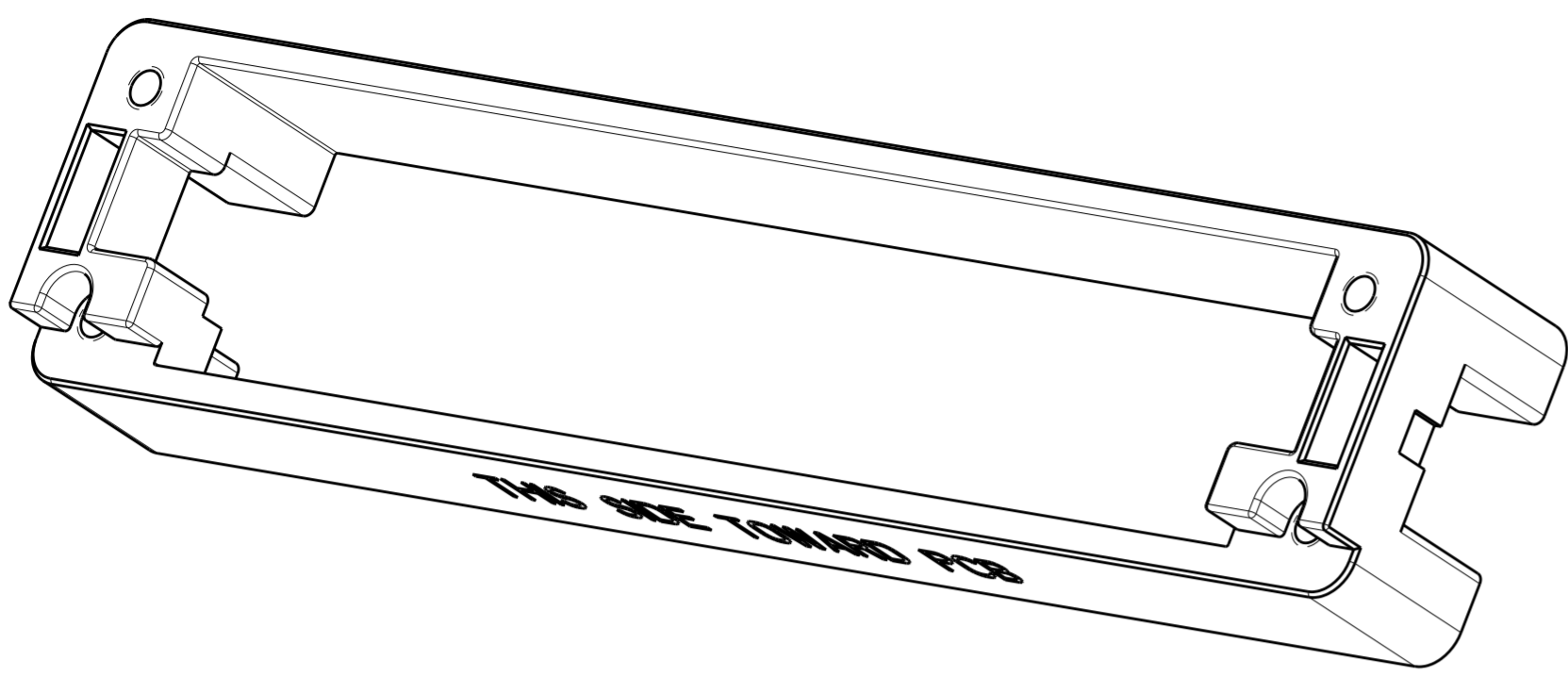


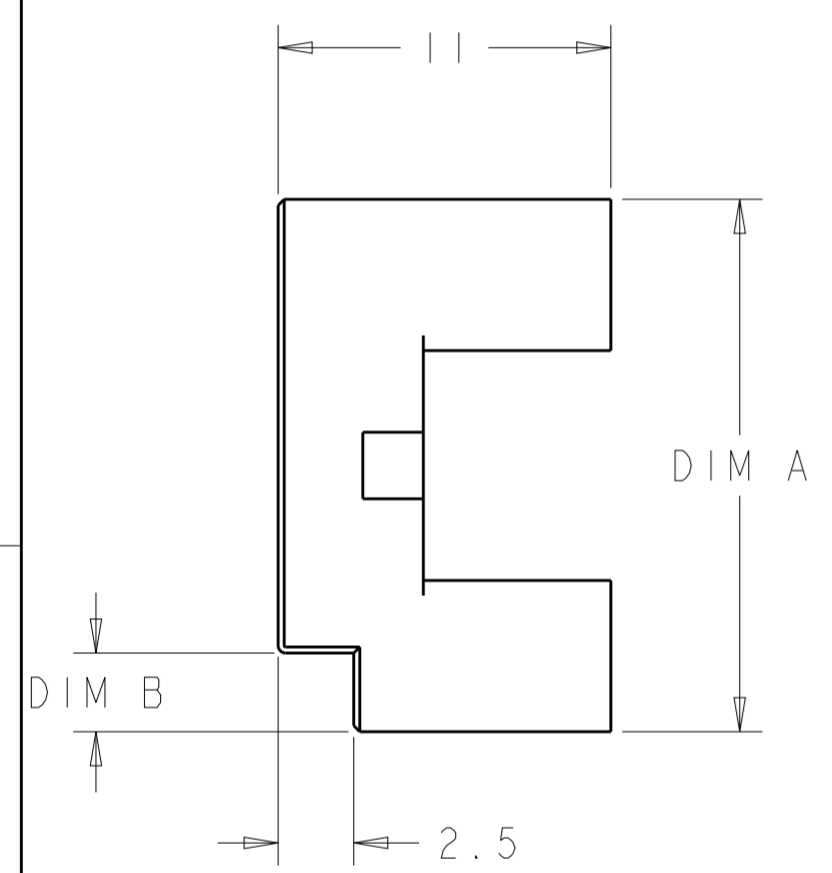
THIS DRAWING IS UNPUBLISHED. RELEASED FOR PUBLICATION 20  
 © COPYRIGHT 20 ALL RIGHTS RESERVED.

LOC	DIST	REVISIONS					
GP	00	P	LTR	DESCRIPTION	DATE	DWN	APVD
		1		ORIGINAL	18OCT2011	BMM	MRS
		2		ADD -2	14JUL2016	PP	SH

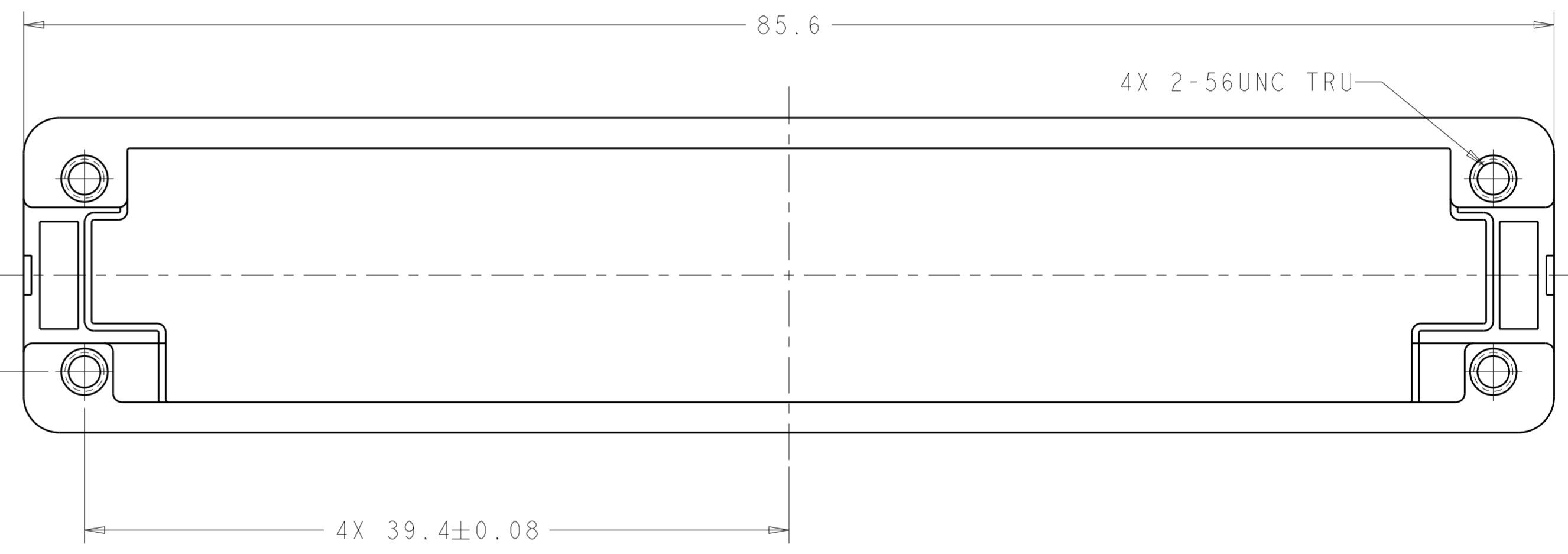


REAR ISOMETRIC VIEW  
SCALE 3:1

- ① ZINC ALLOY PER ASTM B 86. ALLOY AG40A.
- ② 1.27µm MIN NICKEL PLATE PER QQ-N-290 OVER 5.08µm MIN COPPER PLATE PER AMS 2418.
- ③ TEXT INDICATES THIS SURFACE OF THE PART IS TO FACE TOWARD PCB.



4X 5.4±0.08



③

2.20	16.80	2057928-6
2.60	17.60	2057928-3
DIM B	DIM A	PART NUMBER

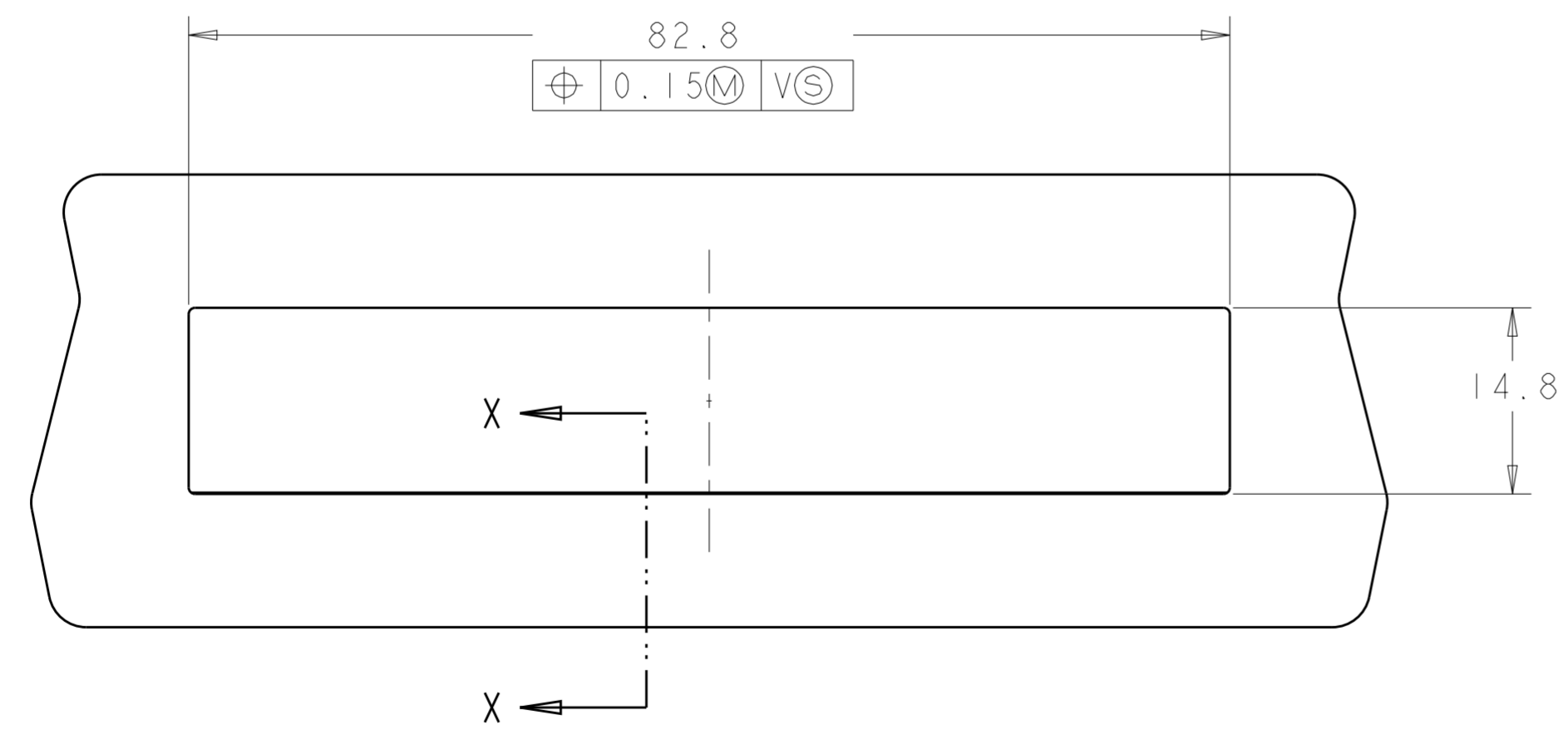
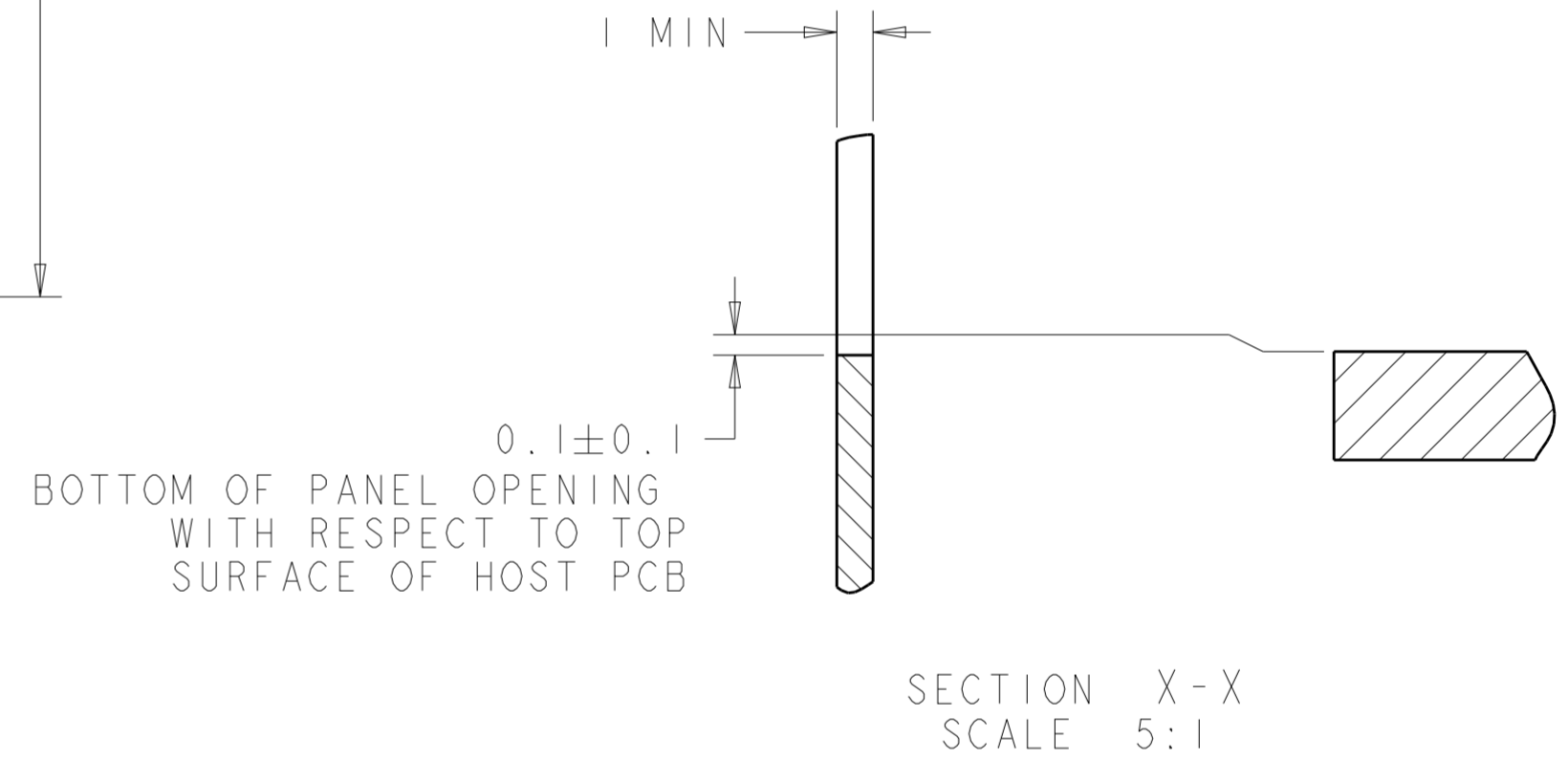
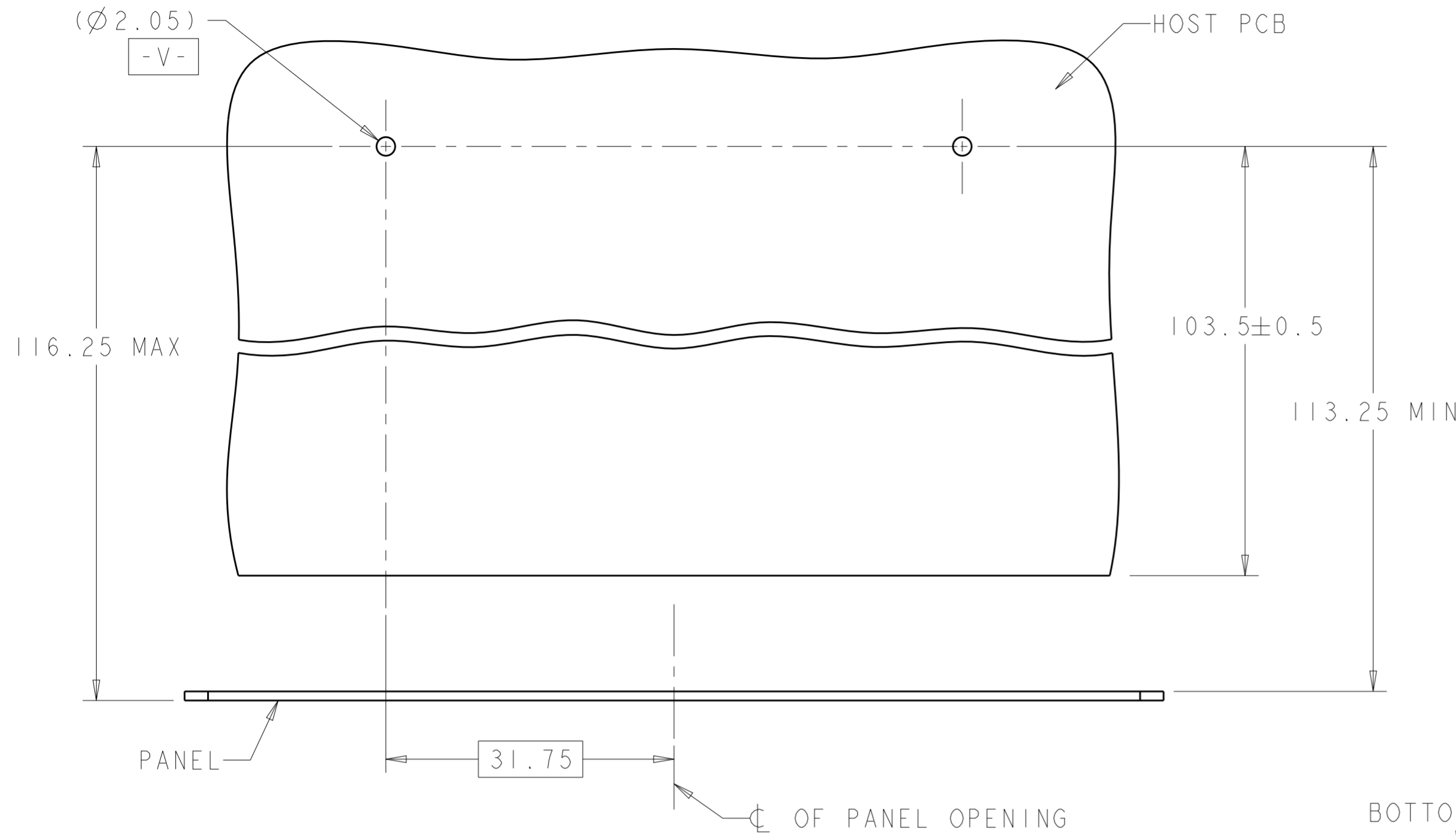
THIS PRINT IS  
**PRELIMINARY**  
UNQUALIFIED PRODUCT  
CONTACT PRODUCT ENGINEERING  
BEFORE USING THIS PRINT

DIMENSIONS:		TOLERANCES UNLESS OTHERWISE SPECIFIED:		APVD		NAME	
mm	0 PLC ±0.13	1 PLC ±0.1	2 PLC ±0.05	M. SCHMITT	M. SCHMITT	M. SCHMITT	
	3 PLC ±	4 PLC ±	ANGLES ±	PRODUCT SPEC		BACKER PLATE ASSEMBLY, 100 GIG PLUGGABLE	
MATERIAL	①	②	FINISH	FINISH	②	SIZE	CAGE CODE
						A200779	C-2057928
CUSTOMER DRAWING				SCALE	1:1	SHEET	2 OF 3

**STE** TE Connectivity  
**PRELIMINARY**

THIS DRAWING IS UNPUBLISHED. RELEASED FOR PUBLICATION 20  
 © COPYRIGHT 20 ALL RIGHTS RESERVED.

LOC	DIST	REVISIONS					
GP	00	P	LTR	DESCRIPTION	DATE	DWN	APVD
		-		SEE SHEET 1			



RECOMMENDED PANEL OPENING  
AND PANEL LOCATION WITH RESPECT TO HOST PCB  
SCALE 2:1

THIS DRAWING IS A CONTROLLED DOCUMENT.		DWN B. MATTHEWS	18OCT2011	 TE Connectivity			
DIMENSIONS: mm		CHK M. SCHMITT	18OCT2011				
TOLERANCES UNLESS OTHERWISE SPECIFIED:		APVD M. SCHMITT	18OCT2011				
0 PLC ±0.13 1 PLC ±0.1 2 PLC ±0.05 3 PLC ± 4 PLC ± ANGLES ± FINISH ±		NAME	BACKER PLATE ASSEMBLY, 100 GIG PLUGGABLE				
MATERIAL		PRODUCT SPEC		SIZE	CAGE CODE	DRAWING NO	RESTRICTED TO
		APPLICATION SPEC		A200779	C-2057928		
		WEIGHT		SCALE 1:1		SHEET 2 OF 2	REV 3
		CUSTOMER DRAWING					