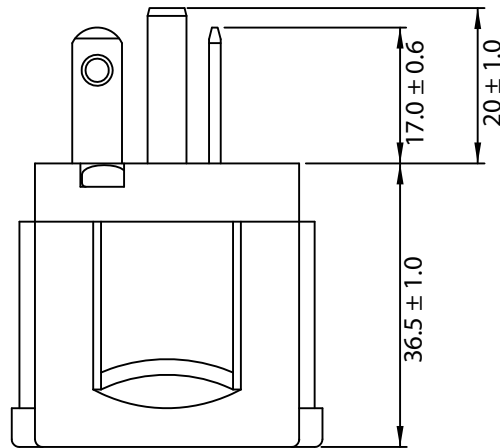
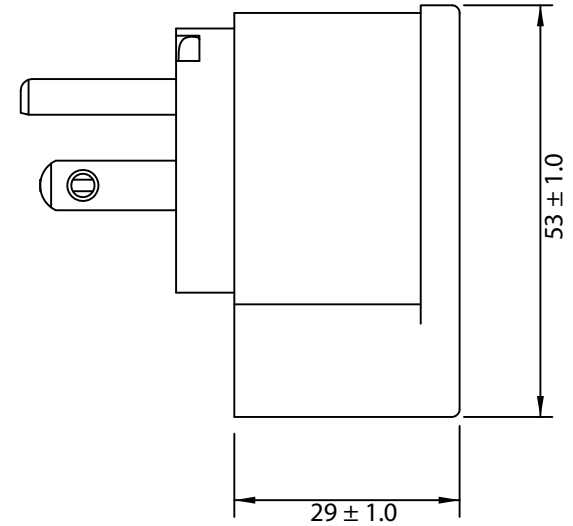
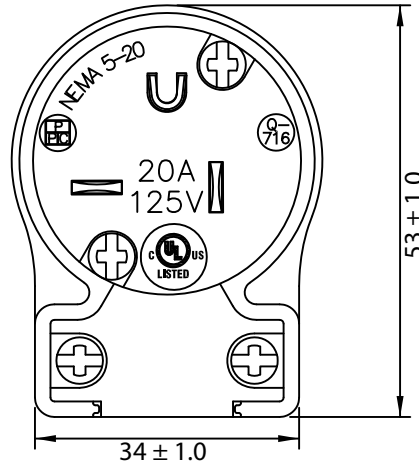
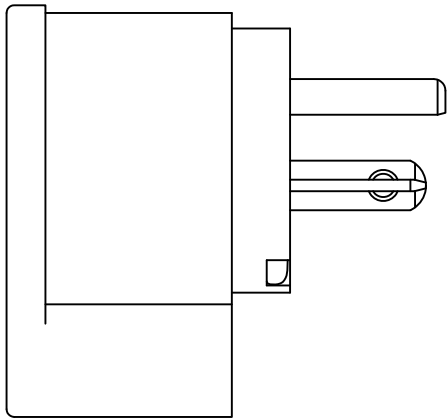


THESE DRAWINGS ARE THE PROPERTY OF QUALTEK ELECTRONICS AND NOT TO BE REPRODUCED FOR OR COMMUNICATED TO A THIRD PARTY WITHOUT THE EXPRESS WRITTEN PERMISSION OF AN OFFICER OF QUALTEK ELECTRONICS.

| REVISION | | | |
|----------|-------------|------|----------|
| REV. | DESCRIPTION | DATE | APPROVED |
| | | | |
| | | | |
| | | | |



CONTROLLED

NOTES:

1. RATING: 20A 125VAC
2. COLOR: BLACK
3. CORD CLAMP: ACCEPTS 18/3 - 12/3 CABLE
4. TERMINAL I.D.:
 - A. GROUND TERMINAL SCREW GREEN AND MARKED "GR"
 - B. LINE TERMINAL SCREW BLACK
 - C. NEUTRAL TERMINAL SCREW WHITE AND MARKED WITH "W"
5. APPROVALS: UL/cUL LISTED: E139592
6. 8 POSITION PLUG CONFIGURATION
7. ROHS COMPLIANT

| Dim range (mm) | Tolerance +/- (mm) | Qualtek Electronics Corp. PPC DIVISION | | |
|----------------|--------------------|---|----------------|--|
| | | Part Number: | Q-716-RA | RoHS Compliant |
| 0-1 | 0.15 | Description: NEMA 5-20P ANGLED STRAIGHT BLADE DEVICE | | |
| 1-6 | 0.20 | | | |
| 6-18 | 0.30 | UNIT: mm | | |
| 18-50 | 0.50 | | | |
| 50-120 | 0.70 | Drawn / Date | Checked / Date | Approved / Date |
| 120-250 | 0.90 | R.Nuti 12-14-17 | 12-14-17 | LY / 12-14-17 |
| 250-500 | 1.20 | | | |