

F1200/F1250/F1299 RFI Filters

Features:

- Designed for General Purpose Common Mode and Differential Mode Applications
- Higher Line-to-Line Capacitance for Protection from Pulsed, Intermittent, or Continuous RFI
- Available in Standard (F1200) and Low-Leakage (F1250) (F1260) (F1270) (F1280) (F1299) Models
- Available with Integral IEC Connector up to 10Amps



| Nominal Current Rating | Part Number | Termination Line/Load | MINIMUM INSERTION LOSS - dB (50 ohm Circuit) | | | | | | |
|------------------------|-------------|-----------------------|--|-----------------|-----|-----|-----|----|----|
| | | | MODE | Frequency - MHz | | | | | |
| | | | | .15 | .50 | 1.0 | 5.0 | 10 | 30 |
| 1A | F1200AA01 | QC/QC | Common | 20 | 35 | 43 | 52 | 55 | 50 |
| | F1200BB01 | Wire/Wire | Differential | 4 | 38 | 59 | 66 | 62 | 54 |
| | F1250AA01 | QC/QC | Common | 20 | 30 | 37 | 50 | 50 | 50 |
| | F1250BB01 | Wire/Wire | Differential | 4 | 38 | 59 | 66 | 62 | 54 |
| 2A | F1299AA02 | QC/QC | Common | 24 | 35 | 43 | 45 | 45 | 40 |
| | F1299BB02 | Wire/Wire | Differential | 6 | 35 | 50 | 55 | 50 | 45 |
| 3A | F1200AA03 | QC/QC | Common | 20 | 35 | 43 | 52 | 55 | 50 |
| | F1200BB03 | Wire/Wire | Differential | 4 | 38 | 59 | 70 | 64 | 59 |
| | F1200CA03 | IEC/QC | | | | | | | |
| | F1250AA03 | QC/QC | Common | 20 | 30 | 37 | 50 | 50 | 50 |
| | F1250BB03 | Wire/Wire | Differential | 4 | 38 | 59 | 70 | 64 | 59 |
| | F1250CA03 | IEC/QC | | | | | | | |
| 6A | F1299AA03 | QC/QC | Common | 26 | 37 | 45 | 45 | 45 | 40 |
| | F1299BB03 | Wire/Wire | Differential | 6 | 40 | 55 | 55 | 50 | 45 |
| | F1299CA03 | IEC/QC | | | | | | | |
| | F1200AA06 | QC/QC | Common | 10 | 22 | 30 | 46 | 50 | 45 |
| | F1200BB06 | Wire/Wire | Differential | 9 | 25 | 48 | 70 | 70 | 62 |
| | F1200CA06 | IEC/QC | | | | | | | |
| 10A | F1250AA06 | QC/QC | Common | 10 | 20 | 27 | 45 | 45 | 45 |
| | F1250BB06 | Wire/Wire | Differential | 9 | 25 | 48 | 70 | 70 | 62 |
| | F1250CA06 | IEC/QC | | | | | | | |
| | F1299AA06 | QC/QC | Common | 20 | 31 | 40 | 45 | 45 | 40 |
| | F1299BB06 | Wire/Wire | Differential | 6 | 35 | 50 | 55 | 50 | 45 |
| | F1299CA06 | IEC/QC | | | | | | | |
| 20A | F1200AA10 | QC/QC | Common | 10 | 22 | 30 | 46 | 50 | 45 |
| | F1200BB10 | Wire/Wire | Differential | 10 | 16 | 43 | 70 | 70 | 66 |
| | F1200CA10 | IEC/QC | | | | | | | |
| | F1250AA10 | QC/QC | Common | 10 | 20 | 27 | 45 | 45 | 45 |
| | F1250BB10 | Wire/Wire | Differential | 10 | 16 | 43 | 70 | 70 | 66 |
| | F1250CA10 | IEC/QC | | | | | | | |
| 30A | F1299AA10 | QC/QC | Common | 9 | 20 | 25 | 38 | 42 | 40 |
| | F1299BB10 | Wire/Wire | Differential | 14 | 14 | 38 | 50 | 48 | 45 |
| | F1299CA10 | IEC/QC | | | | | | | |
| | F1299DD10 | Screw/Screw | | | | | | | |
| | F1200AA20 | QC/QC | Common | 10 | 22 | 30 | 42 | 47 | 40 |
| | F1200DD20 | Screw/Screw | Differential | 9 | 19 | 44 | 70 | 70 | 70 |
| 30A | F1250AA20 | QC/QC | Common | 10 | 20 | 25 | 38 | 40 | 40 |
| | F1250DD20 | Screw/Screw | Differential | 9 | 19 | 44 | 70 | 70 | 70 |
| | F1299AA20 | QC/QC | Common | 10 | 20 | 28 | 35 | 38 | 40 |
| 30A | F1299DD20 | Screw/Screw | Differential | 14 | 14 | 38 | 50 | 48 | 45 |
| | F1200DD30 | Screw/Screw | Common | 7 | 15 | 20 | 34 | 42 | 40 |
| 30A | F1299DD30 | Screw/Screw | Differential | 11 | 13 | 44 | 70 | 60 | 57 |
| | F1299DD30 | Screw/Screw | Common | 12 | 23 | 30 | 35 | 38 | 40 |
| 30A | F1299DD30 | Screw/Screw | Differential | 15 | 40 | 55 | 55 | 55 | 50 |

NOTE: Other combinations of terminals may be specified on special order.

Dimensions are in inches and millimeters unless otherwise specified. Values in parentheses are metric equivalents.



Curtis Industries
A Division of Powers Holdings, Inc.

1-800-657-0853

General Purpose

SINGLE PHASE FILTERS

7

F1200/F1250/F1299 RFI Filters (continued)

Specifications:

Rated Voltage: 250VAC Maximum - 50/60 Hz

Rated Current:

| | | | | | | | |
|--------|----|------|------|----|-----|-----|-----|
| 115VAC | 1A | 2A | 3A | 6A | 10A | 20A | 30A |
| 250VAC | 1A | 1.5A | 2.5A | 4A | 6A | 10A | 15A |

Current Overload: 6X for 8 seconds

| | | |
|-----------------------------|---------------------|---------------------|
| Hi-Pot Test (1 min): | F1200 Series | F1299 Series |
| Line to Ground: | 1500VAC | 1500VAC |
| Line to Line: | 1768VDC | 1450VDC |

Insulation Resistance: $9 \times 10^9 \Omega$ at 100VDC

Ambient Temperature: 40°C Max at rated current

Humidity Range: 0% to 95% R.H.

Termination:

| | |
|-----------------------|-------------------|
| A: QC – Quick Connect | C: IEC Receptacle |
| B: Wire | D: Screw |

Maximum Leakage Current:

| | | | | | | | |
|---------------------|--------------|--------------|--------------|--------------|--------------|--------------|--------------|
| Each Line to Ground | F1200 | F1250 | F1299 | F1260 | F1270 | F1280 | F1299 |
| 115VAC, 60Hz: | 0.40mA | 0.25mA | .15mA | .25mA | .002mA | .015mA | .030mA |
| 250VAC, 50Hz: | .75mA | .40mA | .25mA | .45mA | .005mA | .025mA | .050mA |

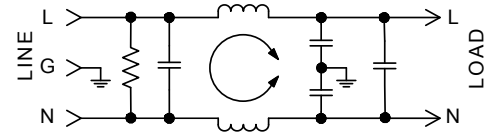
Agency Approvals F1200:



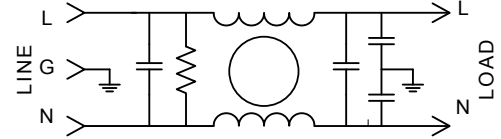
Agency Approvals F1299:



F1200/F1250 Simplified Schematic

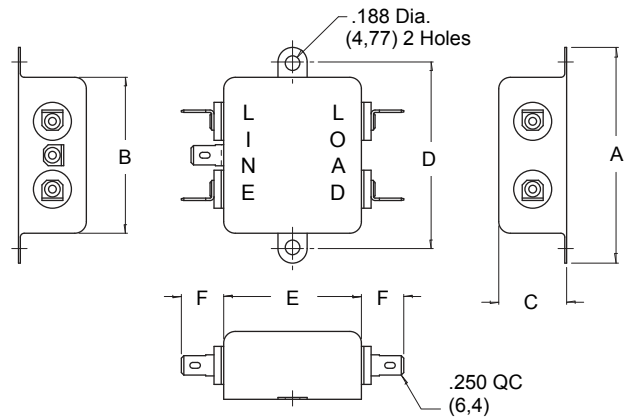


F1299 Simplified Schematic



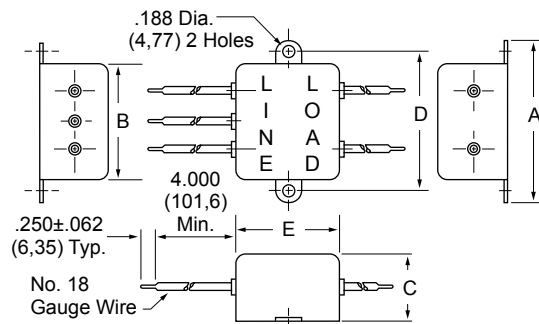
F1200AA/F1250AA (1, 3, 6, 10 and 20Amp) Dimensions

| Amps | A | B | C | D | E | F |
|------|-----------------|----------------|-----------------|-----------------|-----------------|----------------|
| 1A | 2.750 (69,9) | 2.00 (50,8) | .875 (22,2) | 2.375 (60,3) | 1.750 (44,5) | .550 (14,0) |
| 3A | 2.750 (69,9) | 2.00 (50,8) | 1.125 (28,5) | 2.375 (60,3) | 1.750 (44,5) | .550 (14,0) |
| 6A | 2.750 (69,9) | 2.00 (50,8) | 1.125 (28,5) | 2.375 (60,3) | 1.750 (44,5) | .550 (14,0) |
| 10A | 2.750 (69,9) | 2.00 (50,8) | 1.125 (28,5) | 2.375 (60,3) | 2.000 (50,8) | .550 (14,0) |
| 20A | 3.310 (84,1) | 2.50 (63,5) | 1.500 (38,1) | 2.940 (74,7) | 2.000 (50,8) | .550 (14,0) |

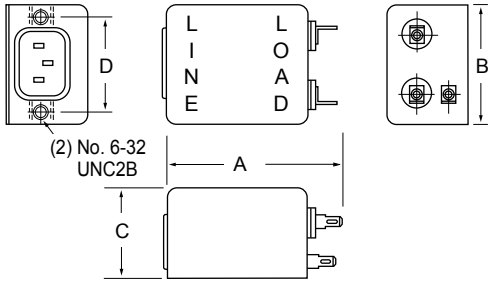


F1200BB/FB1250BB (1, 3, 6 and 10Amp) Dimensions

| Amps | A | B | C | D | E |
|------|-----------------|----------------|-----------------|-----------------|-----------------|
| 1A | 2.750 (69,9) | 2.00 (50,8) | .875 (22,2) | 2.375 (60,3) | 1.750 (44,5) |
| 3A | 2.750 (69,9) | 2.00 (50,8) | 1.125 (28,5) | 2.375 (60,3) | 1.750 (44,5) |
| 6A | 2.750 (69,9) | 2.00 (50,8) | 1.125 (28,5) | 2.375 (60,3) | 1.750 (44,5) |
| 10A | 2.750 (69,9) | 2.00 (50,8) | 1.125 (28,5) | 2.375 (60,3) | 2.000 (50,8) |



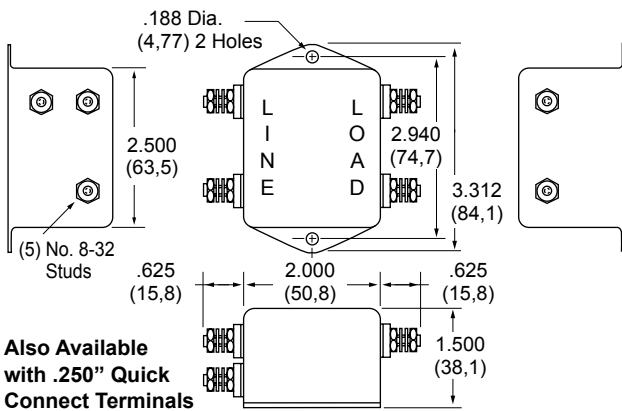
F1200CA/F1250CA (3, 6, and 10Amp) Dimensions



| Amps | A | B | C | D |
|------|----------------|-----------------|-----------------|-----------------|
| 3A | 2.55 (64,8) | 2.000 (50,8) | 1.50 (38,1) | 1.575 (40,0) |
| 6A | 3.05 (77,5) | 2.000 (50,8) | 1.500 (38,1) | 1.575 (40,0) |
| 10A | 3.05 (77,5) | 2.000 (50,8) | 1.500 (38,1) | 1.575 (40,0) |

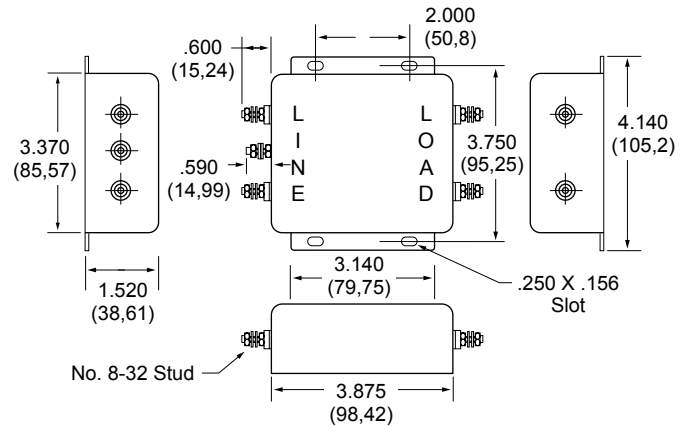
Refer to Page 40 for Standard Mounting Cutouts

F1200DD/F1250DD (20Amp Only) Dimensions



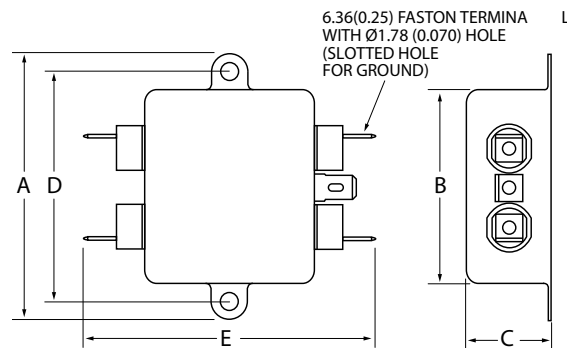
Also Available with .250" Quick Connect Terminals

F1200DD30 (30Amp Only) Dimensions



F1299AA (2, 3, 6, 10 and 20Amp) Dimensions

| Amps | A | B | C | D | E |
|------|----------------|----------------|----------------|------------------|----------------|
| 2A | 2.81 (71,4) | 2.07 (52,6) | 0.91 (23,1) | 2.375 (60,33) | 3.10 (78,7) |
| 3A | 2.81 (71,4) | 2.07 (52,6) | 1.16 (29,5) | 2.375 (60,33) | 3.10 (78,7) |
| 6A | 2.81 (71,4) | 2.07 (52,6) | 1.16 (29,5) | 2.375 (60,33) | 3.10 (78,7) |
| 10A | 2.81 (71,4) | 2.07 (52,6) | 1.16 (29,5) | 2.375 (60,33) | 3.35 (85,1) |
| 20A | 3.35 (85,1) | 2.56 (65,0) | 1.53 (38,9) | 2.938 (74,63) | 3.35 (85,1) |



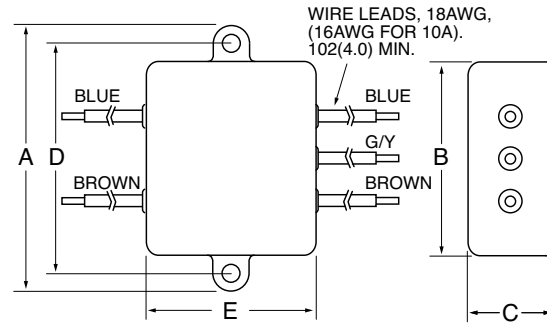
F1200/F1250/F1299 RFI Filters (continued)

General Purpose

SINGLE PHASE FILTERS

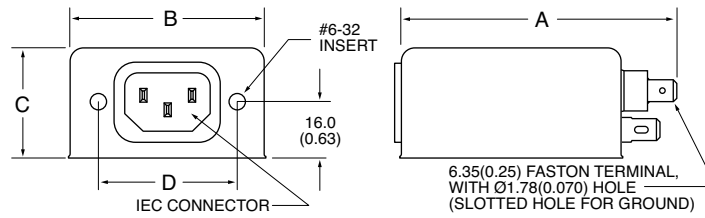
F1299BB (2, 3, 6 and 10Amp) Dimensions

| Amps | A | B | C | D | E |
|------|----------------|----------------|----------------|------------------|----------------|
| 2A | 2.81 (71,4) | 2.07 (52,6) | 0.91 (23,1) | 2.375 (60,33) | 1.81 (46,0) |
| 3A | 2.81 (71,4) | 2.07 (52,6) | 1.16 (29,5) | 2.375 (60,33) | 3.10 (78,7) |
| 6A | 2.81 (71,4) | 2.07 (52,6) | 1.16 (29,5) | 2.375 (60,33) | 3.10 (78,7) |
| 10A | 2.81 (71,4) | 2.07 (52,6) | 1.16 (29,5) | 2.375 (60,33) | 2.07 (52,6) |



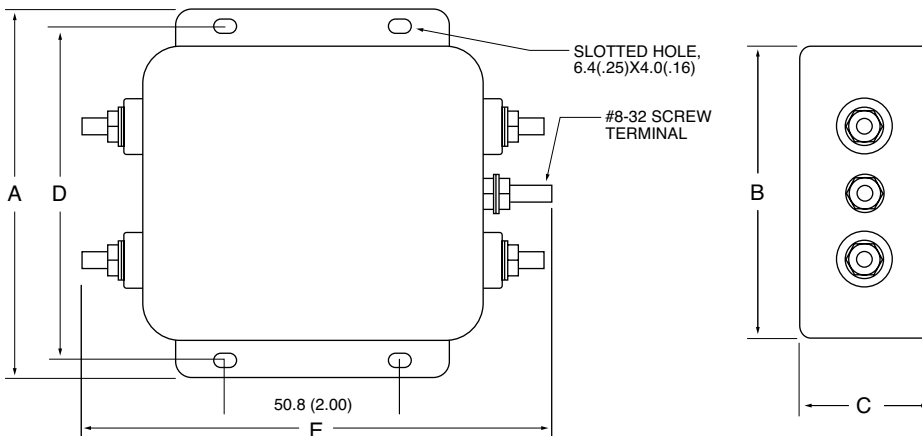
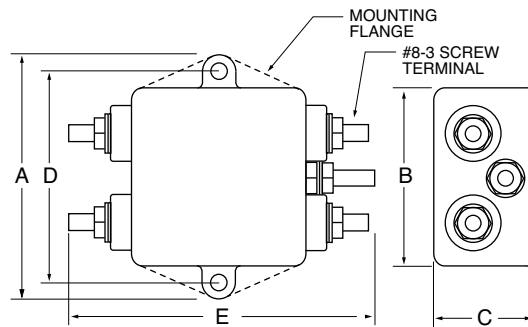
F1299CA (3, 6 and 10Amp) Dimensions

| Amps | A | B | C | D |
|------|----------------|----------------|----------------|-----------------|
| 3A | 3.21 (81,5) | 2.25 (57,2) | 1.28 (32,5) | 1.575 (40,0) |
| 6A | 3.21 (81,5) | 2.25 (57,2) | 1.28 (32,5) | 1.575 (40,0) |
| 10A | 3.71 (94,2) | 2.25 (57,2) | 1.28 (32,5) | 1.575 (40,0) |



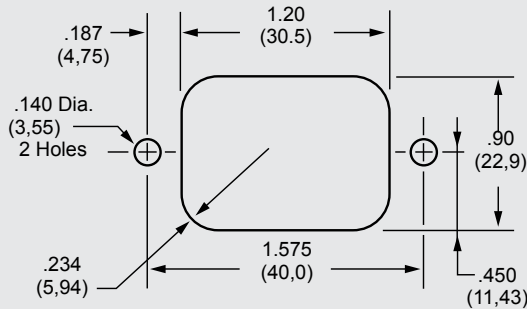
F1299DD (10, 20 and 30Amp) Dimensions

| Amps | A | B | C | D | E |
|------|-----------------|----------------|----------------|------------------|-----------------|
| 10A | 2.81 (71,40) | 2.07 (52,6) | 1.16 (29,5) | 2.375 (60,33) | 3.46 (87,9) |
| 20A | 3.35 (85,1) | 2.56 (65,0) | 1.53 (38,9) | 2.938 (74,63) | 3.46 (87,9) |
| 30A | 4.20 (106,7) | 3.38 (85,9) | 1.53 (38,9) | 3.750 (95,25) | 5.34 (135,6) |

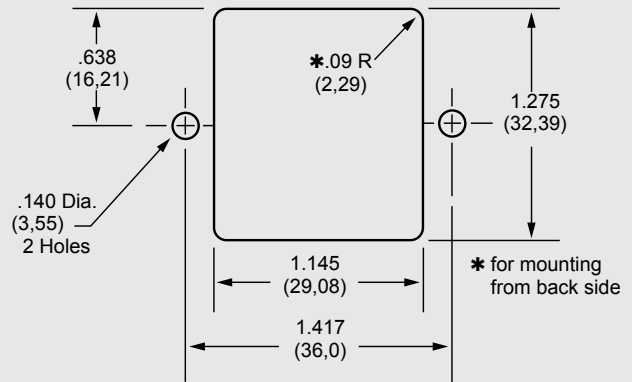


Standard Mounting Cutouts

F1200CA, F1300CA, F1400CA, F1500CA, F1600CA, F1700CA



F1500FA, F1600FA,

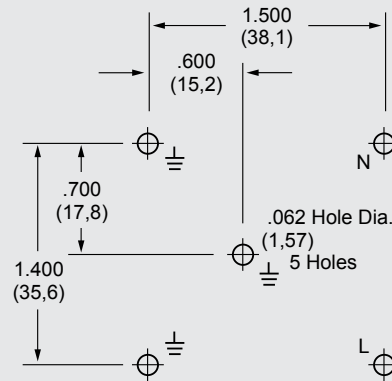


How to Order

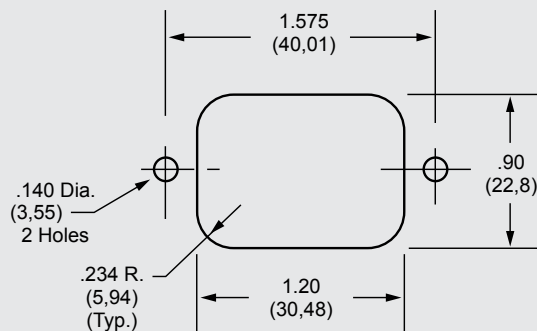
The Curtis part numbering system is made up of four elements. Each element denotes a specific requirement (mechanical or electrical) which, when properly sequenced, fully identifies the required catalog filter. As shown, the first five alpha/numeric characters denote the series type; the sixth character (alpha) denotes the type of line termination; the seventh character (alpha) denotes the type of load termination; the last two characters (numeric) denote the current rating.

Compose your part number as follows: Select the series required, add two alpha character for the line and load termination, followed by two numeric characters for the required current rating. For example, F1100AB06 completely identifies an F1100 series filter with quick connects on line side and wire leads on load side, with a 6-amp rating.

F1300CP, F1600CP



F5500/5600/5700 SERIES



SINGLE PHASE FILTERS

F1100 **X** **X** **X**

SERIES
PE = Power Entry
PM = Medical
Power Entry

LINE TERMINATION
A = Quick Connects
B = Wire Leads
C = IEC Connector
D = Screw Terminals
(20 & 30 amp only)
F = Fused IEC
P = Printed Circuit Pins
W = Dual Fused IEC
J = Switched IEC

LOAD TERMINATION
A = Quick Connects
B = Wire Leads
D = Screw Terminals
(20 & 30 amp only)
P = Printed Circuit Pins
S = Solder Tab

CURRENT RATING
01 = 1 Amp
03 = 3 Amps
06 = 6 Amps
10 = 10 Amps
15 = 15 Amps
20 = 20 Amps
30 = 30 Amps

