

IEC Appliance Inlet C14 or C18 with Line Switch 1- or 2-pole



Description

- Panel Mount :
Screw-on version from front or rear side, snap-in version from front side
- Appliance Inlet protection class I or II , Line Switch 1- or 2-pole
- Quick connect terminals 4.8 x 0.8 mm

Unique Selling Proposition

- Ultra compact design
- Line switch for high inrush currents
- Components internally wired
- V-Lock cord retaining

Approvals

- VDE Certificate Number: 40007009
- UL File Number: E96454

Characteristics

- All single elements are already wired
- Unwired versions available on request
- Line switch non-illuminated or illuminated
- Ideal for application with high transient loads
- Suitable for use in equipment according to IEC/UL 60950

Other versions on request

- Unwired versions
- Solder terminals
- Line switch with other rocker marking

References

Alternative: version with line filter [DC12](#)
Substitute for type [KEB1](#); [KEB2](#); [6010-K](#)

Weblinks

[pdf datasheet](#), [html-datasheet](#), [General Product Information](#), [RoHS](#), [CHINA-RoHS](#), [REACH](#), [Distributor-Stock-Check](#), [Accessories](#), [Detailed request for product](#)

Newly available variants corresponding to V-Lock mating cordset. The connector is equipped with a notch intended for use with the latching cordset. The cord latching system prevents against accidental removal of the cordset.

Technical Data

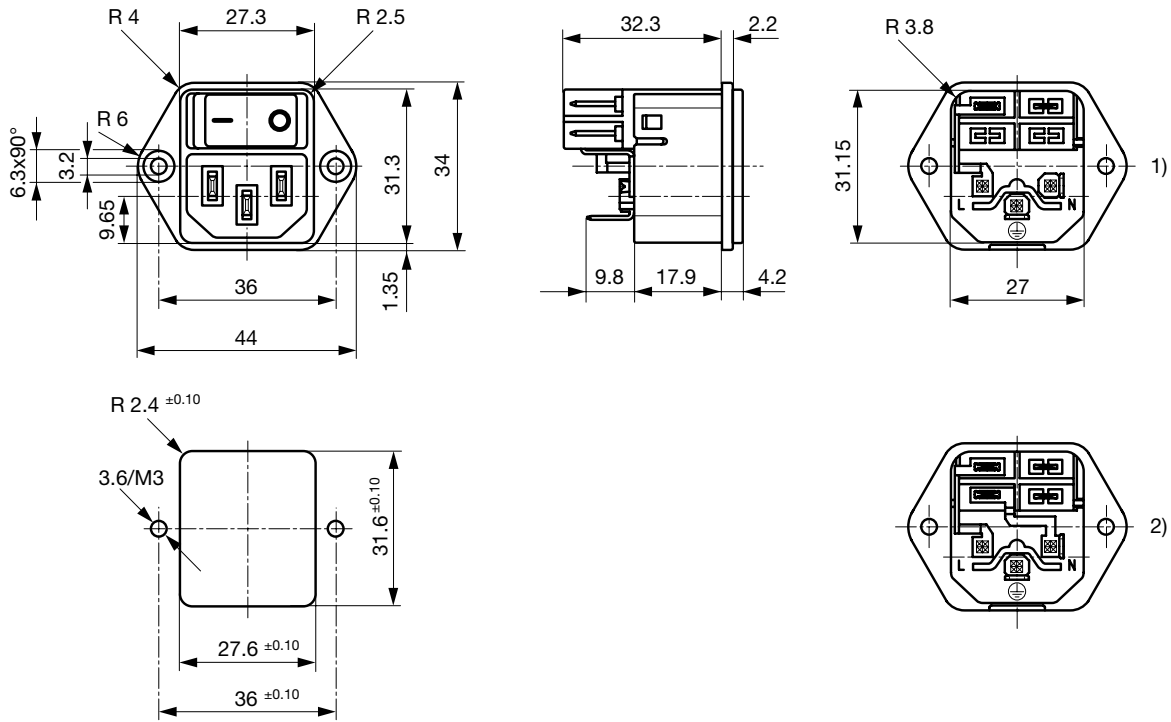
Ratings IEC	10A / 250VAC; 50Hz	appliance inlet/-outlet	C14 acc. to IEC 60320-1, UL 498, CSA C22.2 no. 42 (for cold conditions) pin-temperature 70 °C, 10A, Protection Class I or II
Ratings UL/CSA	15A / 250VAC; 50/60Hz ¹⁾	Line Switch	Rocker switch 1 or 2 pole, non-illuminated or illuminated, acc. to IEC 61058-1 Technical Details
Dielectric Strength	> 2.5kVAC between L-N > 3kVAC between L/N-PE (1 min/50Hz)		
Allowable Operation Temperature	-25 °C to 70 °C		
IP-Protection	from front side IP 40 acc. to IEC 60529		
Insulation cover	Suitable for appliances with protection class I or II acc. to IEC 61140		
Terminal	Quick connect terminals 4.8 x 0.8 mm		
Panel Thickness s	Screw: max 6 mm Mounting screw torque max 0.5Nm Snap-in: 1/1.5/2/2.5/3 mm		
Material: Housing	Thermoplastic, black, UL 94V-0		

¹⁾ Standard version 12 A / special version 15A

Detailed information on product approvals, code requirements, usage instructions and detailed test conditions can be looked up in [General Product Information](#)

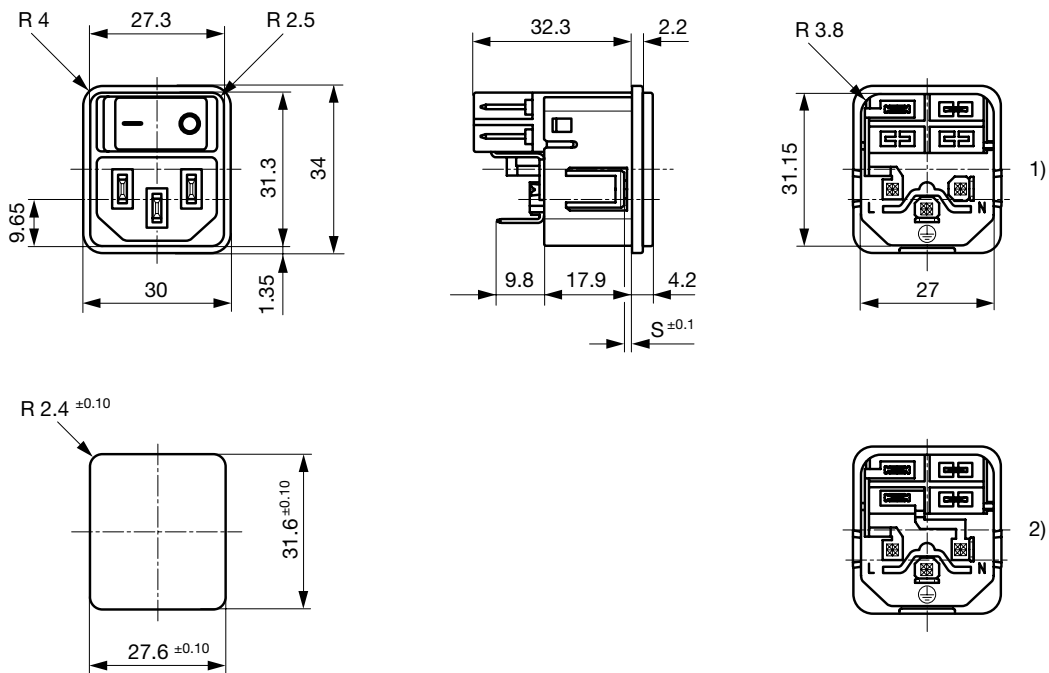
Dimensions

Screw-on mounting



- 1) 1-pol non-illuminated
- 2) 2-pol illuminated, 2-pol non-illuminated

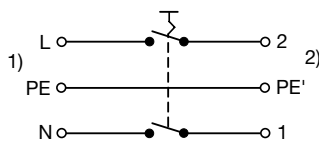
Snap-in mounting



- 1) 1-pol non-illuminated
- 2) 2-pol illuminated, 2-pol non-illuminated

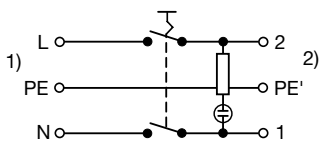
Diagrams

Line switch non-illuminated 2-pole



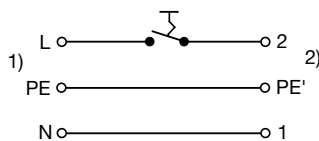
1) Line
2) Load

Line switch illuminated 2-pole



1) Line
2) Load

Line switch non-illuminated 1-pole



1) Line
2) Load

All Variants

Rated Current UL	Protection Class	Panel mounting	Panel Thickness s [mm]	Line Switch	Illumination	Color	V-Lock	Order Number
12	I	Snap-in	1.5	2-pole	●	red		DC11.0021.201
15	I	Snap-in	1.5	2-pole	●	red		DC11.0021.206
12	I	Snap-in	2	2-pole	●	red		DC11.0021.301
12	I	Snap-in	2.5	2-pole	●	red		DC11.0021.401
12	I	Snap-in	1.5	2-pole	●	green		DC11.0031.201
12	I	Snap-in	2	2-pole	●	green		DC11.0031.301
12	I	Snap-in	2.5	2-pole	●	green		DC11.0031.401
12	I	Snap-in	1.5	1-pole		-		DC11.0001.203
15	I	Snap-in	1.5	1-pole		-		DC11.0001.207
12	I	Snap-in	2	1-pole		-		DC11.0001.303
12	I	Snap-in	2.5	1-pole		-		DC11.0001.403
12	I	Snap-in	2.5	1-pole		-	●	DC11.0001.403.21
12	I	Snap-in	1.5	2-pole		-		DC11.0001.201
12	I	Snap-in	1.5	2-pole		-	●	DC11.0001.201.21
15	I	Snap-in	1.5	2-pole		-		DC11.0001.206
12	I	Snap-in	2	2-pole		-		DC11.0001.301
12	II	Snap-in	2	2-pole		-		DC11.0001.351
12	I	Snap-in	2.5	2-pole		-		DC11.0001.401
12	I	Snap-in	3	2-pole		-		DC11.0001.501
12	I	Screw	-	2-pole	●	red		DC11.0021.001
15	I	Screw	-	2-pole	●	red		DC11.0021.006
12	I	Screw	-	2-pole	●	green		DC11.0031.001
12	I	Screw	-	1-pole		-		DC11.0001.003
15	I	Screw	-	1-pole		-		DC11.0001.007
12	I	Screw	-	2-pole		-		DC11.0001.001
12	I	Screw	-	2-pole		-	●	DC11.0001.001.21
15	I	Screw	-	2-pole		-		DC11.0001.006

■ Most Popular.

Availability for all products can be searched real-time: <http://www.schurter.com/en/Stock-Check/Stock-Check-SCHURTER>

With screw mounting on PCB, 2 screws are included

All variants according VDE (ENEC 10) approved for 10 A

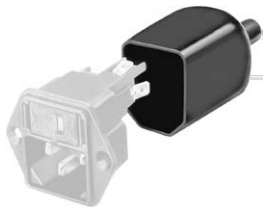
Packaging unit 50 Pcs

Accessories

Description



Wire Harness
Wire harness for SCHURTER products



Assorted Covers
Rear Cover

0859.0047
4311.9403



Cord retaining kits
Cord retaining strain relief

Flat head, A 4700.0001
Countersunk, B 4700.0002

Mating Outlets/Connectors

Category / Description

[Appliance Outlet Overview complete](#)



IEC Appliance Outlet F, Screw-on Mounting, Front Side, Solder Terminal 4787
IEC Appliance Outlet F, Snap-in Mounting, Front Side, Solder or Quick-connect Terminal 4788
IEC Appliance Outlet F or H, Screw-on Mounting, Front Side, Solder, PCB or Quick-connect Terminal 5091

[Appliance Outlet further types to DC11](#)

[Connector Overview complete](#)



4782 Mounting: Power Cord, 3 x 1 mm² / 3 x 18 AWG, Cable, Connector: IEC C13 4782
4022 Mounting: Power Supply Cord, 3 x 1.5 mm², Screw clamps, Connector: IEC C13 4022
4785 Mounting: Power Cord, 3 x 1 mm² / 3 x 18 AWG, Cable, Connector: IEC C13 4785
4300-06 Mounting: Power Cord, 3 x 1 mm² / 3 x 18 AWG, Cable, Connector: IEC C13 4300-06
4012 Mounting: Power Supply Cord, 3 x 1.5 mm², Screw clamps, Connector: IEC C13 4012

[Connector further types to DC11](#)

...

[Power Supply Cord Overview complete](#)



Cord Sets 10 A, Europlug, 2.5 m, Connector IEC C13, H05VV-F3G1.0, black 6004.0215
Cord Sets 10 A, Europlug, 2.5 m, Connector IEC C13, H05VV-F3G1.0, black 6003.0215

[Power Supply Cord further types to DC11](#)

Mating Outlets/Connectors shuttered



[Power Cord Overview complete](#)

VAC17KS, North America, V-Lock cord retaining, 3.0 m, Connector C17, SJT 2x18 AWG, black	3-101-794
VAC17KS, North America, V-Lock cord retaining, 2.0 m, Connector C17, SJT 2x18 AWG, black	6051.2801
VAC17KS, North America, V-Lock cord retaining, 2.0 m, Connector C17, SJT 2x18 AWG, white	6051.2811
VAC17KS, United Kingdom, V-Lock cord retaining, 2.0 m, Connector IEC C17, H05VV-F2G1, black	3-101-184
VAC17KS, Switzerland, V-Lock cord retaining, 2.0 m, Connector IEC C17, H05VV-F2G1, black	3-101-185

[Power Cord further types to DC11](#)

...