



IEC Appliance Outlet F, Snap-in Mounting, Front Side, IDC Terminal



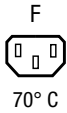
Arrangement "cross"
(wires cross to pin axis)



Arrangement "along", view from rear side
(wires along to pin axis)



6610 with integrated Light Pipe



Description

- Panel Mount :
Snap-in version , from front side
- Connector , Pin temperature 70 °C , Protection class I
- Wire gauge 1-1.5mm²/1.5mm²/2.5mm²/14AWG/12AWG
- IDC terminals acc. to IEC 60998-2-3 for solid wires

Unique Selling Proposition

- IDC terminals for efficient wiring
- Significant reduces labor costs
- Cross and along orientation
- Ideal for PDU applications

Approvals

- ENEC File Number: 40035679
- UL File Number: E103791
- CCC File Number: 2010010204418560

Characteristics

- Protection cover can be used as "wire press"
- Live contact available as IDC, solder or quick connect terminal
- Suitable for use in equipment according to IEC/UL 60950

Other versions on request

- UL approval for AWG 16; Versions for other wire gauges
- Protection class II, 70°C

References

Alternative: version for 16 A (20 A)

Weblinks

[pdf datasheet](#), [html-datasheet](#), [General Product Information](#), [RoHS](#), [CHINA-RoHS](#), [REACH](#), [Distributor-Stock-Check](#), [Accessories](#), [Mounting instruction](#), [Detailed request for product](#)

Newly available variants corresponding to V-Lock mating cordset. The connector is equipped with a notch intended for use with the latching cordset. The cord latching system prevents against accidental removal of the cordset.

The integration of light pipes in the appliance outlet provides status indication in smart PDUs. See Application Note for more information.

[Application Note](#)

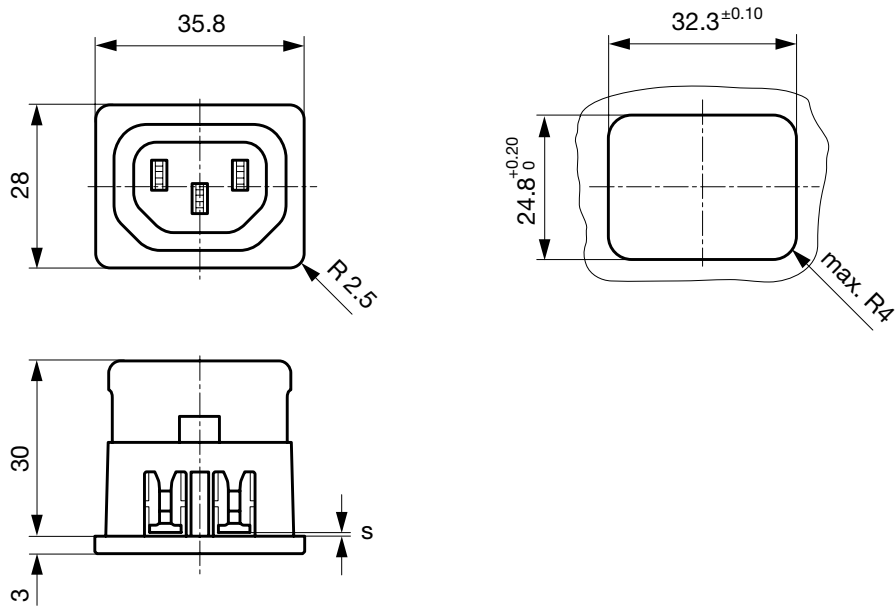
Technical Data

| | | | |
|---------------------------------|---|-------------------------|--|
| Ratings IEC | 10A / 250VAC; 50Hz | appliance inlet/-outlet | F acc. to IEC 60320-1 UL 498, CSA C22.2 no. 42 (for cold conditions) pin-temperature 70 °C, 10A, Protection Class I |
| Ratings UL/CSA | 15A / 250VAC; 60Hz | | |
| Allowable Operation Temperature | -25 °C to 70 °C | | |
| IP-Protection | from front side IP 40 acc. to IEC 60529 | | |
| Insulation cover | Suitable for appliances with protection class I acc. to IEC 61140 | | |
| Terminal | IDC terminals | | |
| Panel Thickness s | Snap-in,0.8/1/1.2/1.5/2/2.5/3.0 mm (other on request) | | |
| Material: Housing | Thermoplastic, black, UL 94V-0 | | |

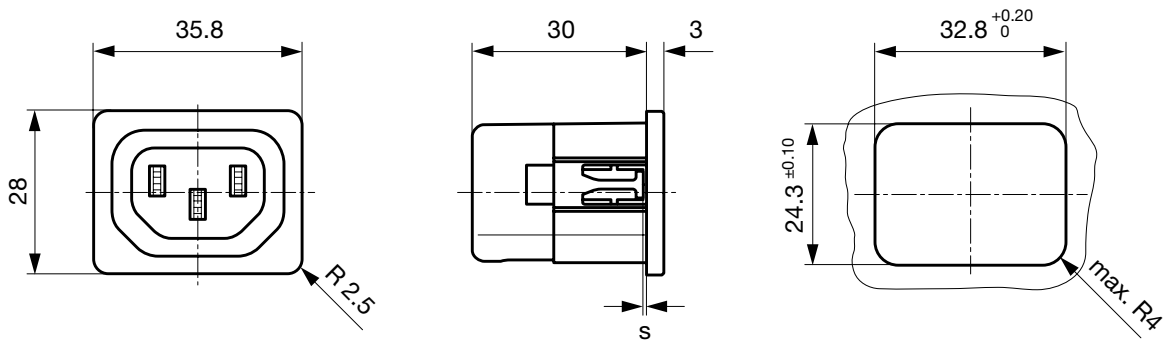
Detailed information on product approvals, code requirements, usage instructions and detailed test conditions can be looked up in [General Product Information](#)

Dimensions

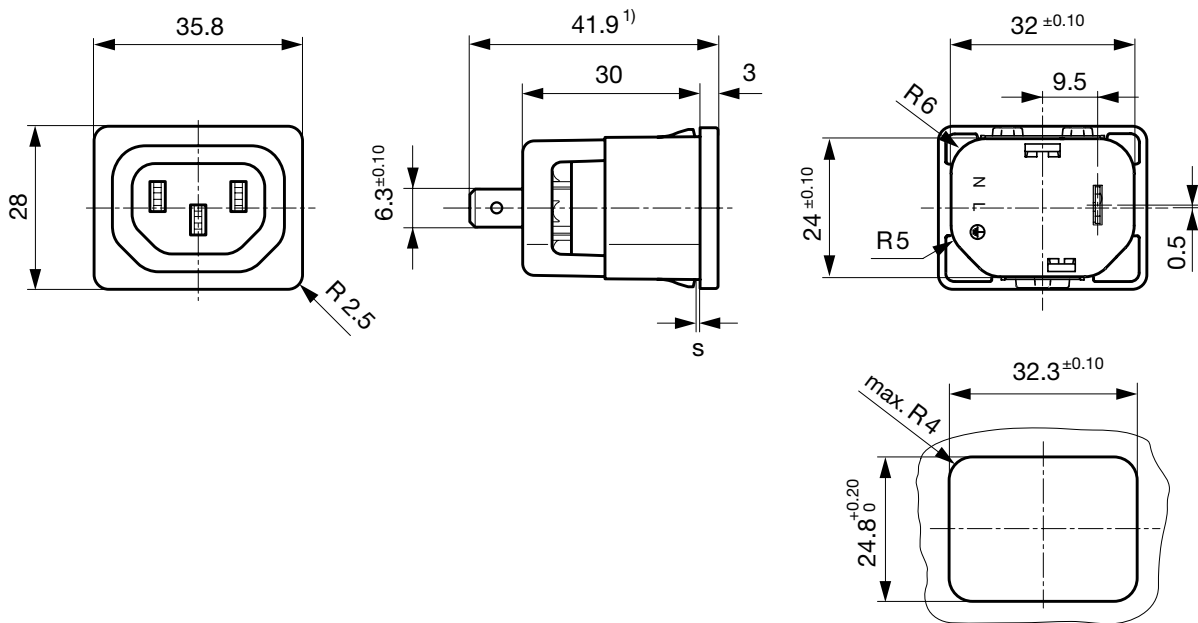
Version "cross" (wires cross to pin axis)
L/N/PE: IDC terminals



Version "along" (wires along to pin axis)
L/N/PE: IDC terminals



Version "cross" (wires cross to pin axis)
N/PE: IDC terminals, L: quick connect or solder terminal

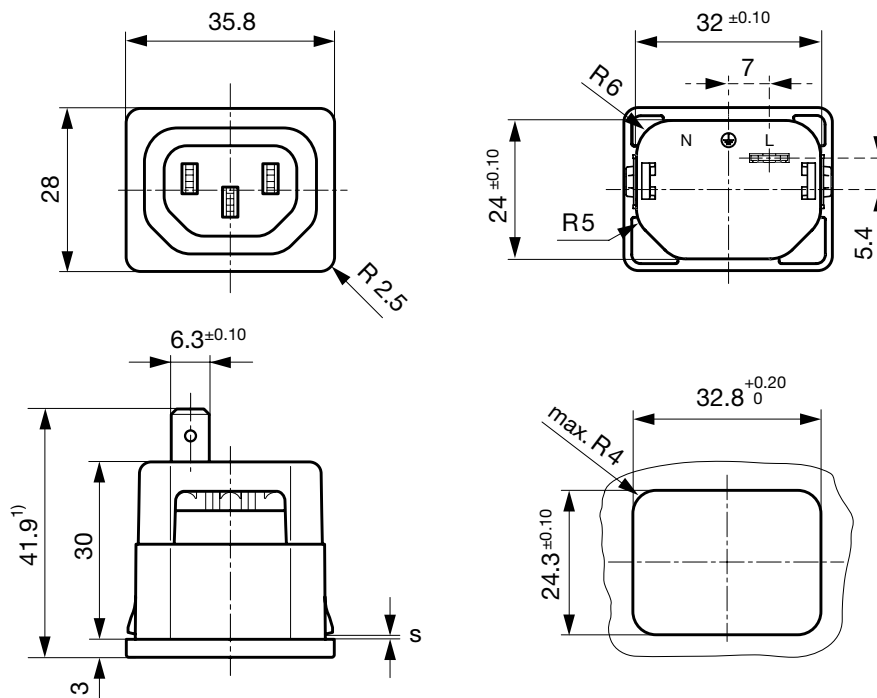


1) Other options:

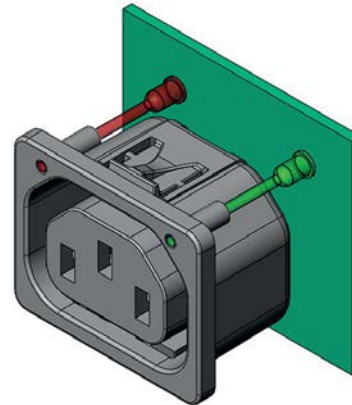
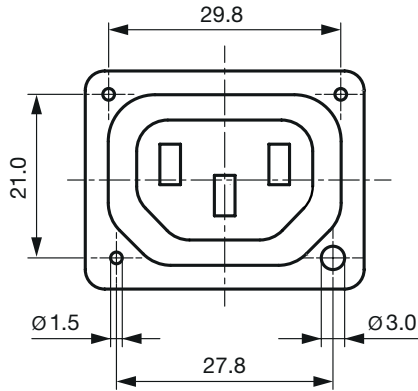
Quick connect terminal 4.8x0.8: 40.3 mm

Solder terminal: 40.9 mm

Version "along" (wires along to pin axis)
N/PE: IDC terminals, L: quick connect or solder terminal



Light Pipe integration

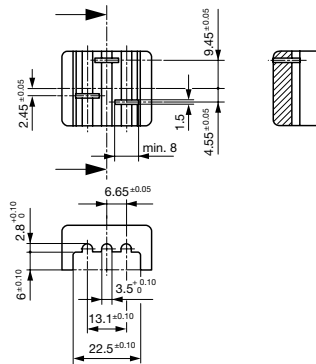


Arrangement of light pipes in the outlet and LEDs on the PCB. For more information, see the relevant Application Note.

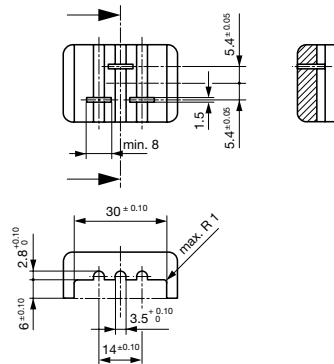
The integration of light pipes in the appliance outlet provides status indication in smart PDUs. See Application Note for more information.
[Application Note](#)

Assembly Instructions

Mounting tool version "cross"



Mounting tool version "along"



- The above mentioned dimensions are recommended when using an assembly tool.
- When using an assembly tool we recommend the above-mentioned dimensions.
- Use the cover or an assembly tool, to push the wires into the IDC terminals.
- The assembly force depends on the wire used and may require as much as 900 N.
- Press the wires into the IDC terminals until the wires touch with the plastic socket of the 6610 when using a tool.
- When using the cover be sure that it is properly mounted.
- The maximum diameter of the wire (including insulation) is 3.6 mm for along, 3.5 mm for cross version.
- The correct installation of the wires is essential for proper function of the 6610 in the end equipment.

All Variants

| Alignment ¹⁾ | Conductor cross section | Panel Thickness s [mm] | Terminal type live contacts | Order Number |
|-------------------------|------------------------------|------------------------|-----------------------------|--------------|
| along | 1.0 - 1.5 mm ² | 2.5 | IDC terminals | 6610.3016.03 |
| along | 1.5 mm ² / 14 AWG | 1.5 | IDC terminals | 6610.5014 |
| along | 1.5 mm ² / 14 AWG | 1.5 | IDC terminals | 6610.5014.03 |
| along | 1.5 mm ² / 14 AWG | 2 | IDC terminals | 6610.5015 |
| along | 2.5 mm ² / 12 AWG | 0.8 | IDC terminals | 6610.1011 |
| along | 2.5 mm ² / 12 AWG | 1 | IDC terminals | 6610.1012 |
| along | 2.5 mm ² / 12 AWG | 1.2 | IDC terminals | 6610.1013 |
| along | 2.5 mm ² / 12 AWG | 1.5 | IDC terminals | 6610.1014 |
| along | 2.5 mm ² / 12 AWG | 2 | IDC terminals | 6610.1015 |
| along | 2.5 mm ² / 12 AWG | 2 | IDC terminals | 6610.1015.03 |
| along | 2.5 mm ² / 12 AWG | 2.5 | IDC terminals | 6610.1016 |
| along | 2.5 mm ² / 12 AWG | 3 | IDC terminals | 6610.1017 |

| Alignment ¹⁾ | Conductor cross section | Panel Thickness s [mm] | Terminal type live contact | Order Number |
|-------------------------|------------------------------|---------------------------|----------------------------------|--------------|
| along | 2.5 mm ² / 12 AWG | 1.5 | Quick connect terminal 4.8 x 0.8 | 6610.1354 |
| along | 2.5 mm ² / 12 AWG | 1.5 | Quick connect terminal 4.8 x 0.8 | 6610.1354.03 |
| along | 2.5 mm ² / 12 AWG | 1.5 | Quick connect terminal 6.3 x 0.8 | 6610.1254 |
| along | 2.5 mm ² / 12 AWG | 1.5 | Quick connect terminal 6.3 x 0.8 | 6610.1254.03 |
| along | 2.5 mm ² / 12 AWG | 1.5 | Solder | 6610.1154 |
| cross | 1.5 mm ² / 14 AWG | 1 | IDC terminals | 6610.6012 |
| cross | 1.5 mm ² / 14 AWG | 1.5 | IDC terminals | 6610.6014 |
| cross | 1.5 mm ² / 14 AWG | 1.5 | Quick connect terminal 6.3 x 0.8 | 6610.6254 |
| cross | 2.5 mm ² / 12 AWG | 1 | IDC terminals | 6610.2012 |
| cross | 2.5 mm ² / 12 AWG | 1.2 | IDC terminals | 6610.2013 |
| cross | 2.5 mm ² / 12 AWG | 1.5 | IDC terminals | 6610.2014 |
| cross | 2.5 mm ² / 12 AWG | 1.5 | IDC terminals | 6610.2014.03 |
| cross | 2.5 mm ² / 12 AWG | 2 | IDC terminals | 6610.2015 |
| cross | 2.5 mm ² / 12 AWG | 2.5 | IDC terminals | 6610.2016 |
| cross | 2.5 mm ² / 12 AWG | 3 | IDC terminals | 6610.2017 |
| cross | 2.5 mm ² / 12 AWG | 1.5 | Quick connect terminal 6.3 x 0.8 | 6610.2254 |
| cross | 2.5 mm ² / 12 AWG | 1.5 | Solder | 6610.2154 |

Most Popular.

Availability for all products can be searched real-time:<http://www.schurter.com/en/Stock-Check/Stock-Check-SCHURTER>

Articles for 1-1.5mm² only with ENEC approval. Outer diameter of wire (including insulation) max. 3.5 / 3.6 mm.

1) The alignment describes whether the wires are along or across to the connector pin axis.

Suffix ".03" corresponds to the version with V-Lock mating cordset. The connector is equipped with a notch intended for use with the latching cordset. The cord latching system prevents against accidental removal of the cordset.

Packaging unit 50 Pcs

Accessories

Description



Cord retaining kits
Cord retaining strain relief

| | |
|--------------|-----------|
| Flat head, E | 4700.0005 |
| Flat head, G | 4700.0007 |

Mating Inlets/Plugs

Category / Description

Plug Overview complete



| | |
|---|------|
| IEC Plug E, Cord Connector (Rewireable), Straight, max. cable Diameter 8.5 mm | 4732 |
| IEC Plug E, Cord Connector (Rewireable), Straight, max. Cable Diameter 10 mm | 4735 |
| IEC Plug E, Cord Connector (Rewireable), Straight | 9009 |
| IEC Plug E, Cord Connector (Rewireable), Angled, max. Cable Diameter 8.5 mm | 4733 |
| IEC Plug E, Cord Connector (Rewireable), Angled, max. Cable Diameter 10 mm | 4736 |

[Plug further types to 6610](#)

...

Mating Inlets/Plugs shuttered

Interconnection Cord Overview complete



| | |
|--|-----------|
| VAC13KS, Interconnection, V-Lock cord retaining, 0.6 m, Connector IEC C13, H05VV-F3G0.75 / SVT 3x18 AWG, black | 3-100-354 |
| VAC13KS, Interconnection, V-Lock cord retaining, 1.2 m, Connector IEC C13, H05VV-F3G0.75 / SVT 3x18 AWG, black | 3-100-355 |
| VAC13KS, Interconnection, V-Lock cord retaining, 1.5 m, Connector IEC C13, H05VV-F3G0.75 / SVT 3x18 AWG, black | 3-100-356 |
| VAC13KS, Interconnection, V-Lock cord retaining, 3.0 m, Connector IEC C13, SVT 3x18 AWG, black | 3-100-361 |
| VAC13KS, Interconnection, V-Lock cord retaining, 1.8 m, Connector IEC C13, H05VV-F3G0.75 / SVT 3x18 AWG, black | 3-100-734 |

[Interconnection Cord further types to 6610](#)

...