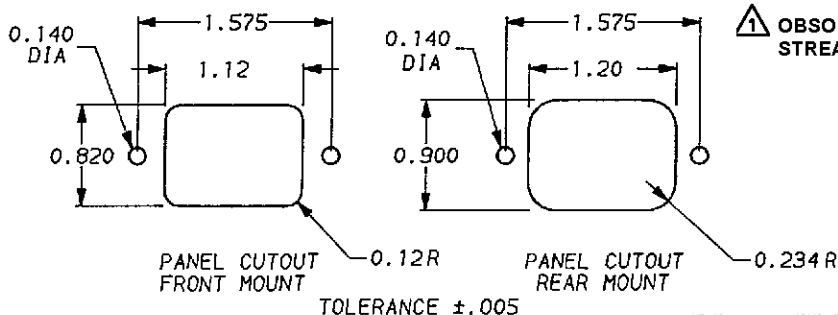
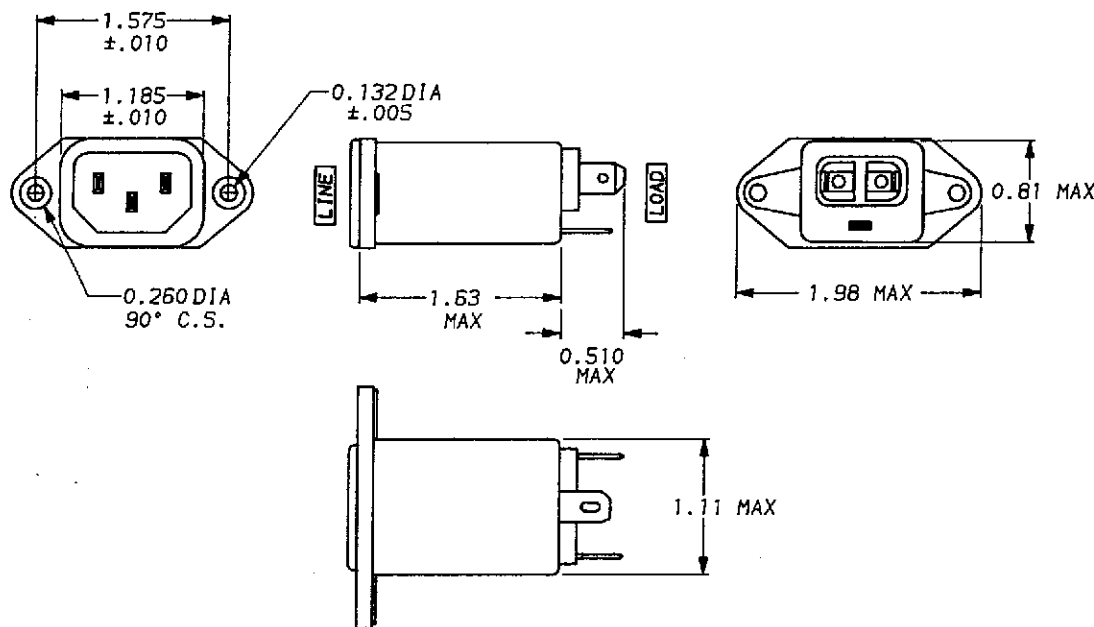


DESCRIPTION	APPROVED BY	DATE	REV
	C. Westoby	11-20-91	1
ECO-09-026495	AEG	30DEC09	B1



**⚠ OBSOLETE PARTS: OBSOLETE CIS STREAMLINING PER D.RENAUD/D.SINISI**

6609002-2  
1609002-2

**OBSOLETE**



**SAFETY ORGANIZATION(S):**

THIS FILTER HAS BEEN FORMALLY RECOGNIZED, CERTIFIED OR APPROVED BY THE LISTED AGENCY. THEREFORE, ALL TEST/REQUIREMENTS SPECIFIED IN THE LATEST REVISION OF THE FOLLOWING AGENCY STANDARDS HAVE BEEN MET.

UL RECOGNIZED  
CSA CERTIFIED  
VDE APPROVED

UL 544  
CSA 22.2, NO.0,0.4,8  
VDE 0565-3, 0625

**OPERATING SPECIFICATIONS:**

LINE VOLTAGE/CURRENT:

3 AMP., 120/250 VAC  
3 AMP./40°C, 250 VAC

LINE FREQUENCY:

50-60Hz

MAX. CASE RISE @ RATED CURRENT:

30°C

MAX. LEAKAGE CURRENT, EACH

2µA at 120V 60 Hz

LINE TO GROUND

5µA at 250V 50 Hz

OPERATING AMBIENT TEMP. RANGE:

-10°C TO +40°C @ RATED CURRENT, I<sub>r</sub>

IN AN AMBIENT, T<sub>a</sub>, HIGHER THAN 40°C, THE MAXIMUM OPERATING CURRENT, I<sub>o</sub>, IS AS FOLLOWS:

$$I_o = I_r \sqrt{\frac{85 - T_a}{45}}$$

**RELIABILITY SPECIFICATIONS:**

STORAGE TEMPERATURE:

-40°C TO +85°C

HUMIDITY:

21 DAYS @ 40°C 95% RH

CURRENT OVERLOAD TEST:

6 TIMES RATED CURRENT FOR 8 SECONDS

**TEST SPECIFICATIONS:**

INDUCTANCE:

1.45 mH NOMINAL

CAPACITANCE, (MEASURED @ 1 KHz, 0.25 VAC MAX., 25°C ±1°C)

LINE TO GROUND:

ZERO

LINE TO LINE:

.009µF ±20%

DISCHARGE RESISTOR:

1.5 MΩ

LINE/GROUND AND LINE/LINE

6000 MΩ (MIN) AT 100 VDC

INSULATION RESISTANCE

20°C AND 50% RH

(W/O DISCHARGE RESISTOR)

**RECOMMENDED RECEIVING INSPECTION HIPOT:**

LINES TO GROUND:

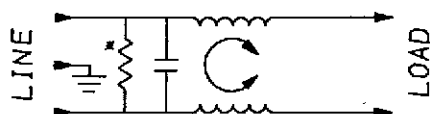
1500 VAC FOR 1 MINUTE

LINE TO LINE:

1450 VDC FOR 1 MINUTE

**FILTER APPROVAL:**

THE BEST WAY TO SELECT AND QUALIFY A FILTER IS FOR YOUR ENGINEERING TO TEST THE UNIT IN YOUR EQUIPMENT.



\*RESISTOR ADDED TO PRODUCT BUILT AFTER 3-30-92 (9212).

50Ω - 50Ω (MINIMUM) INSERTION LOSS										
FREQUENCY MHz	.05	.10	.15	.50	1	1.5	5	10	30	
COMMON dB	5	10	15	25	27	28	30	27	22	
DIFF. dB	-	-	-	-	4	6	20	27	28	

This document is proprietary to CORCOM INC. and is not to be reproduced nor used for manufacturing purposes except on CORCOM's order or prior written consent.

TOLERANCE EXCEPT AS NOTED		
DECIMAL:	.XXX	.XX
ENGLISH:	±.025	±1°
METRIC:	±	---
MATERIAL:	AS SUPPLIED	
FINISH:	AS SUPPLIED	



**POWER LINE FILTER**

SCALE	DATE	DRG. NO.	REV.
NTS	9-19-91	3EAH1	B1
DRW. BY	ORIGINATOR		
CFW	CFW		