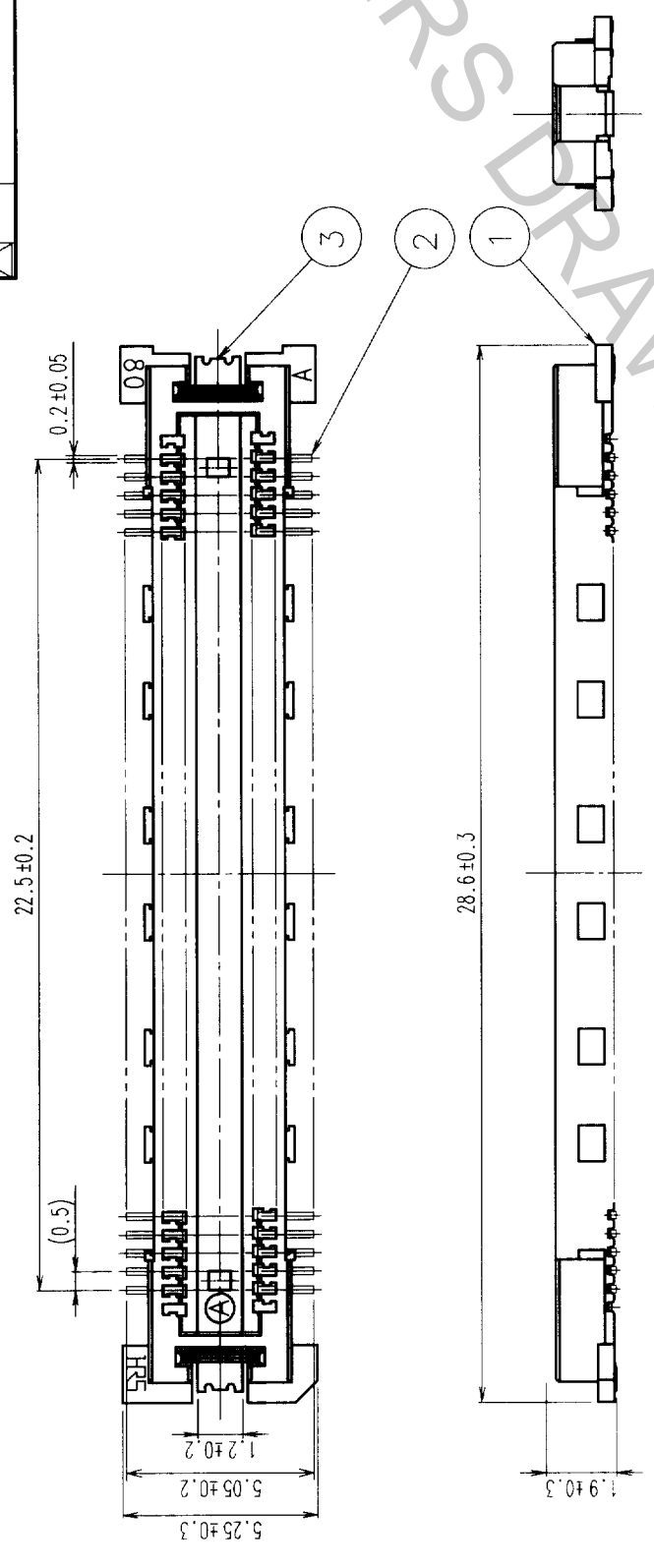
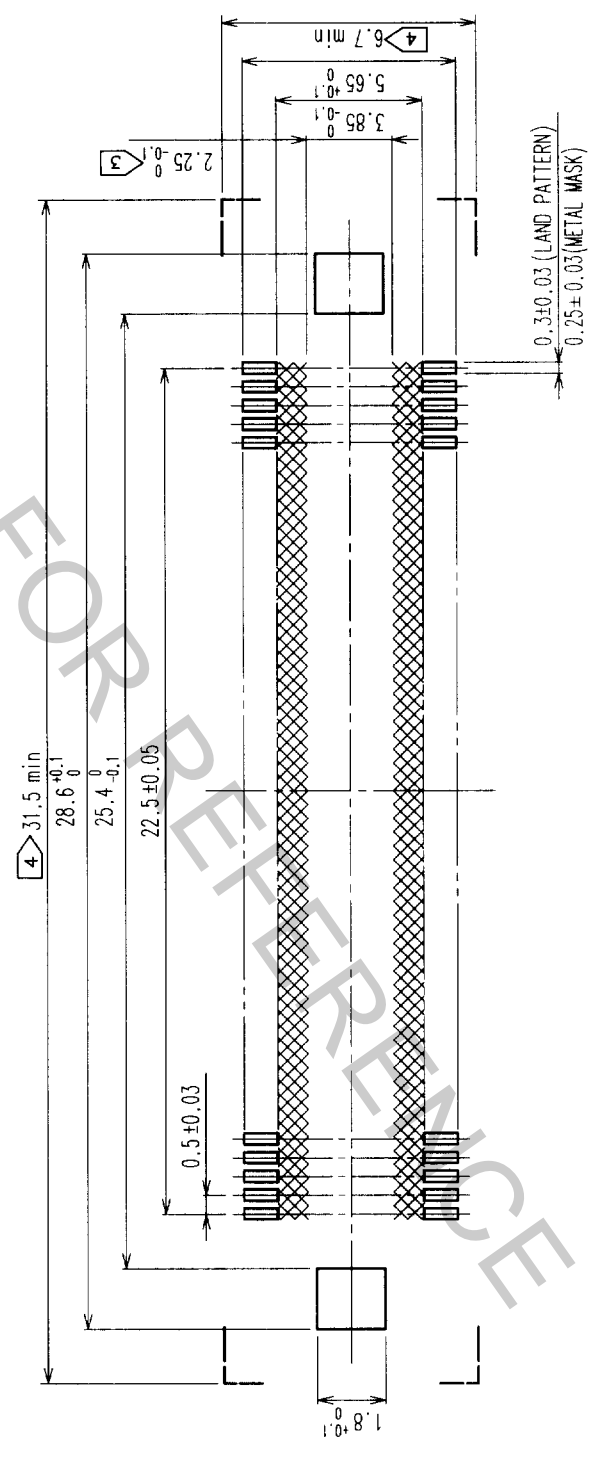


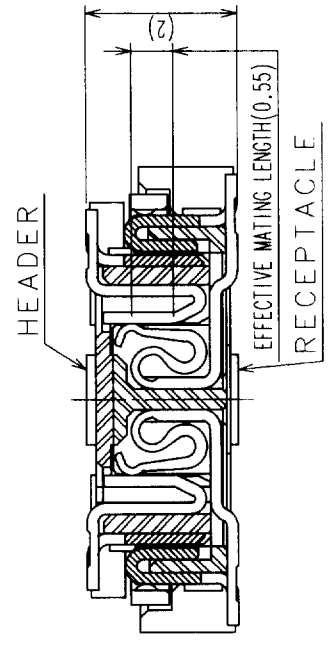
COUNT	DESCRIPTION OF REVISIONS	BY	CHKD	DATE	COUNT	DESCRIPTION OF REVISIONS	BY	CHKD	DATE
△					△				
△					△				
△					△				



RECOMMENDED LAND PATTERN DIMENSION OF PCB



SIGNAL PORTION CROSS SECTION (10:1)

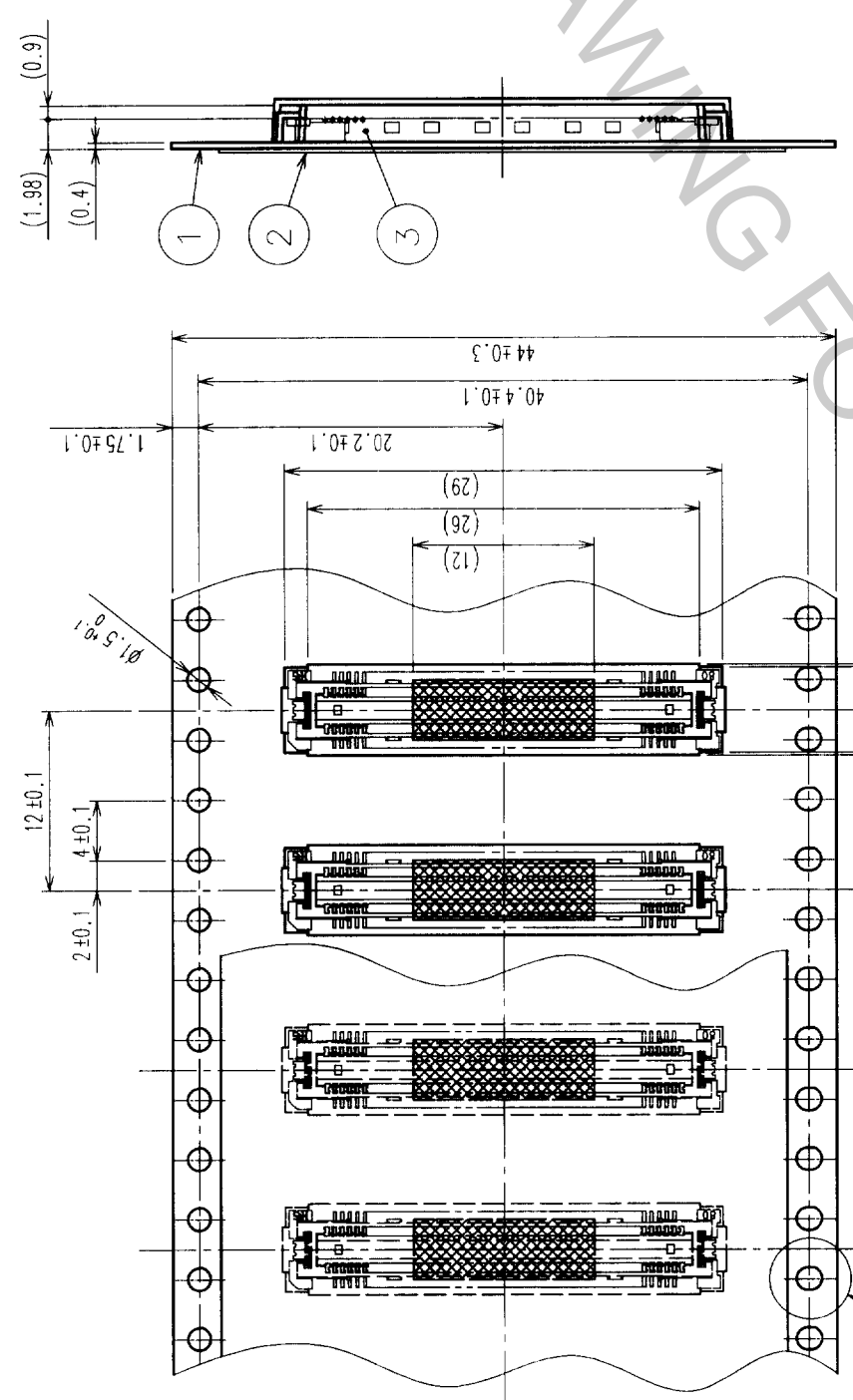


- NOTES 1 SMT LEAD-COPLANARITY: 0.1 MAX.
- 2 THIS PRODUCT HAS NO POLARITY TO PATTERN FOR MOUNTING.
- 3 MAKE SURE WIDTH OF PATTERN IS WITHIN THAT OF LAND, OR LEAD MAY TOUCH PATTERN. (THIS APPLIES TO HATCHED AREA.)
- 4 DO NOT MOUNT OTHER DEVICES ONTO [] AREA, OR MATING PAIR CANNOT BE MATED.
- 5 TO BE EMBOSSED CARRIER TAPED AS SPECIFIED IN SHEET 2.

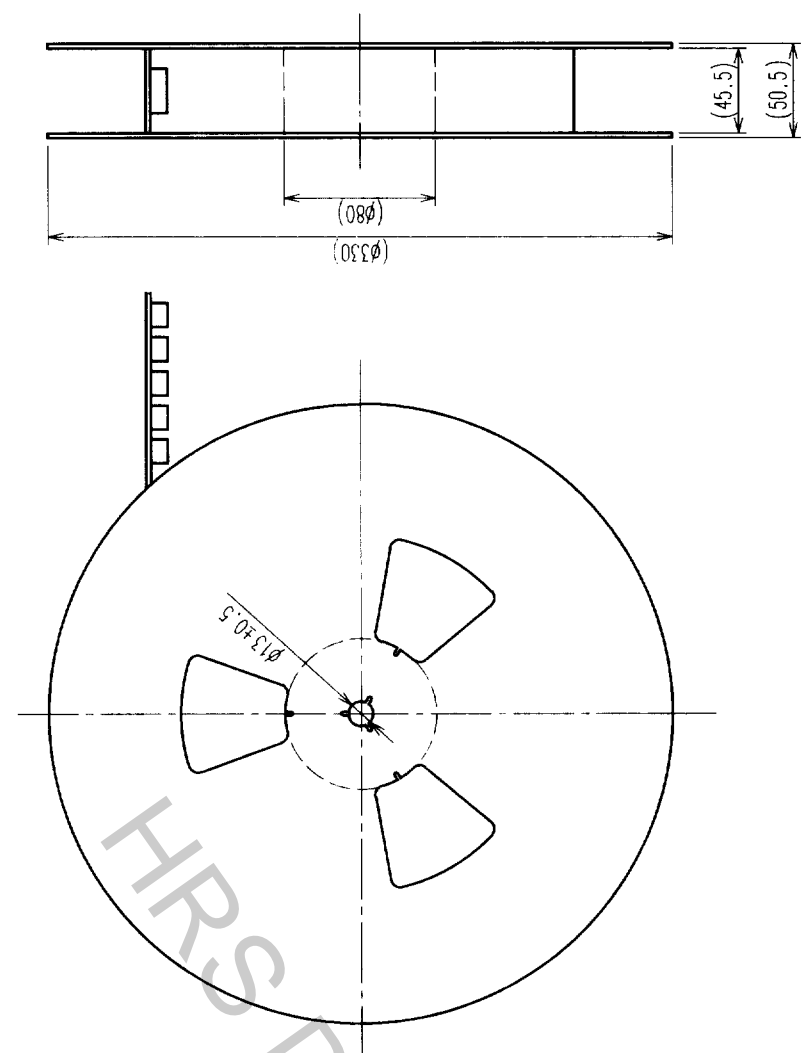
2	COPPER ALLOY	CONTACT AREA: GOLD (0.1μm) OVER NICKEL
1	LCP	LEAD: GOLD FLASH OVER NICKEL
NO.	MATERIAL	BEIGE UL94V-0
CODE NO. (OLD)	FINISH, REMARKS	CL
DESIGNED	CHECKED	APPROVED
DRAWN	DESIGNED	RELEASED
3	PHOSPHOR BRONZE	TIN FINISH
NO.	MATERIAL	FINISH, REMARKS
PART NO.	FX11LB-92P-SV (22)	
DRAWING NO.	EDC3-152105-02	
SCALE	5 : 1	
UNITS	mm	
CODE NO.	CL573-0053-8-22	

TO	
PCK	

COUNT	DESCRIPTION OF REVISIONS	BY	CHKD	DATE	COUNT	DESCRIPTION OF REVISIONS	BY	CHKD	DATE
△					△				
△					△				
△					△				

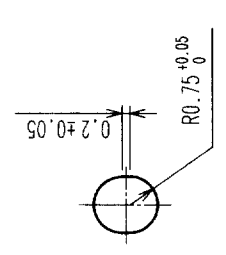


REELED DIMENSION (Free)

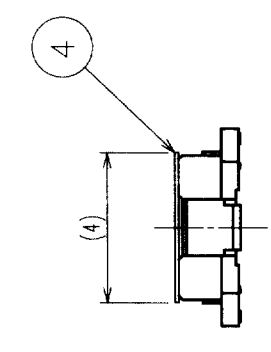


THE DIRECTION OF PULLING OUT →

A (5:1)



DETAIL FOR VACUUM PICKUP (5:1)



- NOTES 1 REEL: 1000 CONNECTORS.
- 2 MINIMUM 10 COMPARTMENTS FROM BOTH REEL ENDS REMAIN EMPTY.
- 3 THIS PRODUCT HAS NO POLARITY TO TAPE AND REEL PACKAGING.

2	PET	TOP COVER TAPE	4	POLYIMIDE	(TAPE FOR VACUUM PICKUP)
1	PS	EMBOSSED CARRIER TAPE	3	(CONNECTOR)	
NO.	MATERIAL	FINISH, REMARKS	NO.	MATERIAL	FINISH, REMARKS
CODE NO. (OLD)	CL		DRAWN	DESIGNED	CHECKED
			<i>Hirose Technical M. Nakada</i>	<i>Hirose Technical M. Nakada</i>	<i>J. Johnson</i>
			199.10.27/199.10.27	99.10.28	99.10.28
DRAWING FOR PACKING			APPROVED		
DRAWING NO. EDC3-152105-02			PART NO. FX11LB-92P-SV(22)		
SCALE 2:1			CODE NO. CL573-0053-8-22		
UNITS (MM)			HIROSE ELECTRIC CO., LTD		

TO	
PCK	