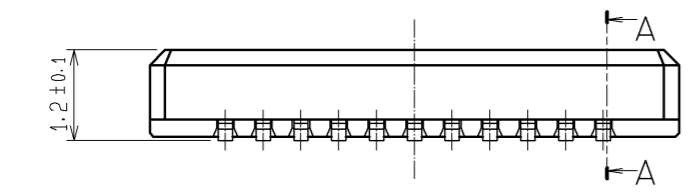
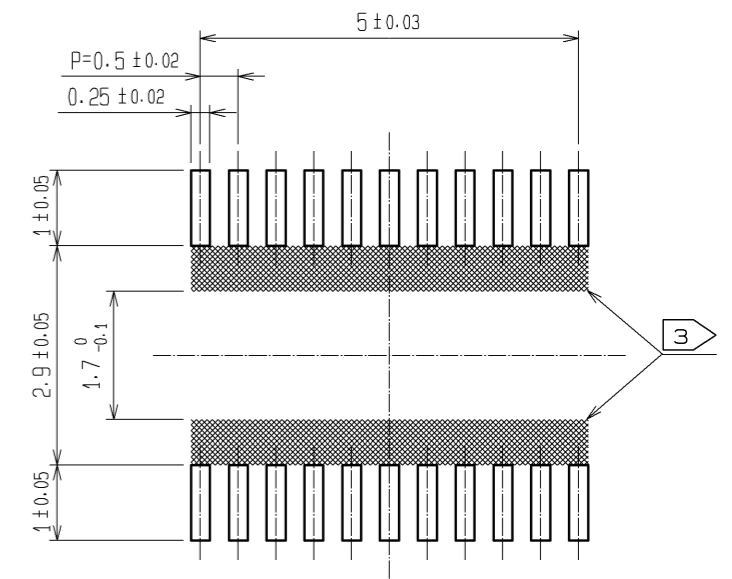
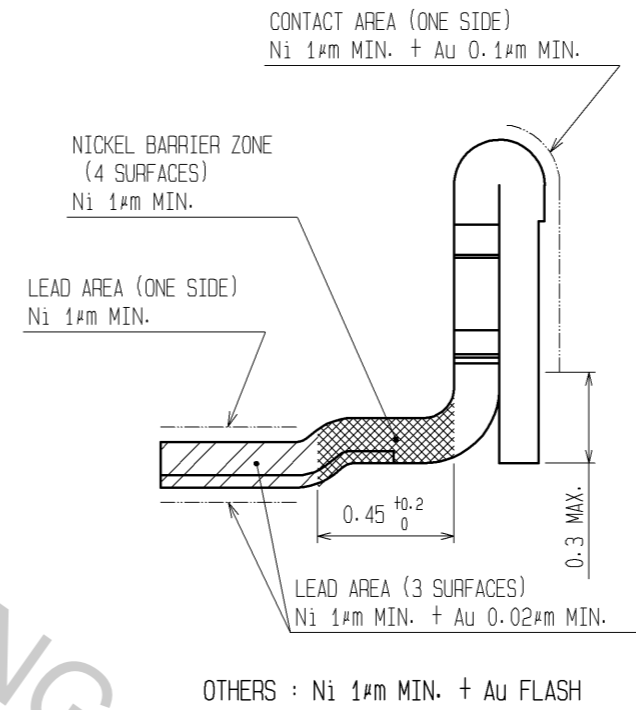


Fig. 1 : PLATING SPECIFICATION (40:1)

Fig.2 : RECOMMENDED PATTERN



HRS DRAWING FOR REFERENCE

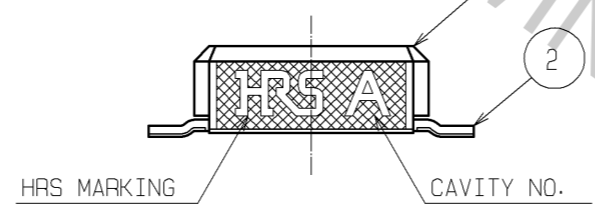


Fig. 3 : A-A CROSS SECTION VIEW

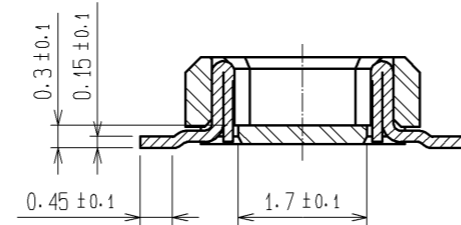
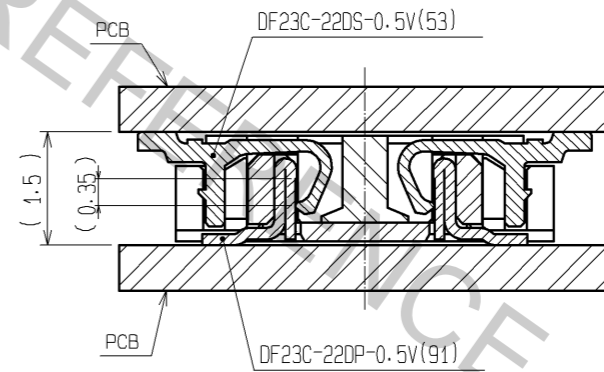


Fig. 4 : MATING VIEW



- NOTES 1 LEAD CO-PLANARITY SHALL BE 0.1mm MAX.  
 ② REFER TO Fig.1  
 ③ WHEN A PART MARKED WITH HAS A PATTERN BUT NO RESIST ON IT, TAKE CARE TO PREVENT THE CONNECTOR FROM TOUCHING IT.  
 4 THE DIMENSIONS IN PARENTHESES ARE FOR REFERENCE.

2	PHOSPHOR BRONZE	②	5	PS	PLASTIC REEL (BLACK)
1	LCP	BLACK·UL94V-0	4	POLYESTER	CLEAR
			3	PS	CLEAR
NO.	MATERIAL	FINISH . REMARKS	NO.	MATERIAL	FINISH . REMARKS
UNITS mm		SCALE 10 : 1	COUNT		DESCRIPTION OF REVISIONS
DESIGNED		CHECKED		DATE	
APPROVED : KH. IKEDA		08.12.24		DRAWING NO. EDC3-307592-04	
CHECKED : TS. MIYAZAKI		08.12.24		PART NO. DF23C-22DP-0.5V(91)	
DESIGNED : TH. YAMAMOTO		08.12.22		CODE NO. CL688-0810-9-91	
DRAWN : TH. YAMAMOTO		08.12.22		1/2	

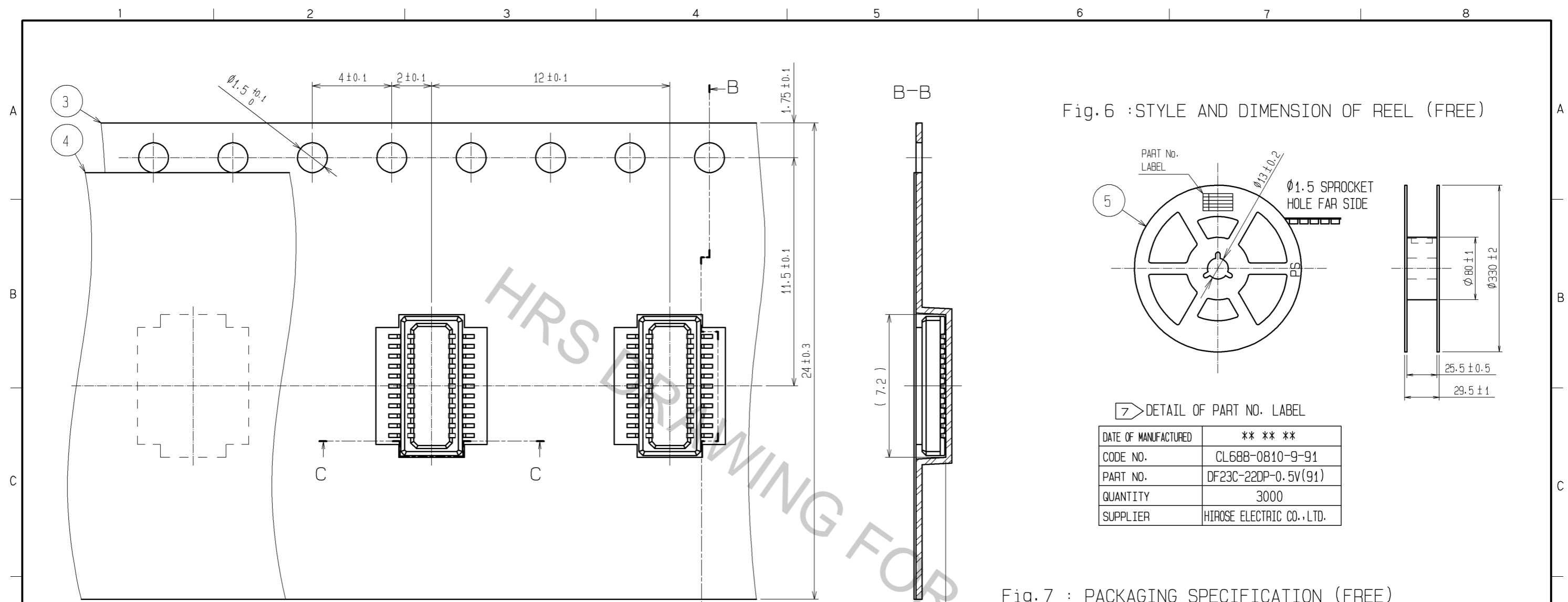
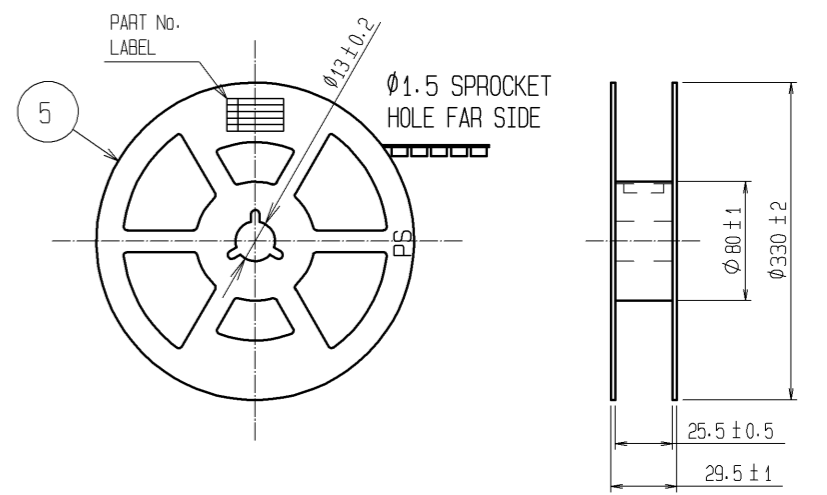


Fig.6 :STYLE AND DIMENSION OF REEL (FREE)



DATE OF MANUFACTURED	** ** *
CODE NO.	CL688-0810-9-91
PART NO.	DF23C-22DP-0.5V(91)
QUANTITY	3000
SUPPLIER	HIROSE ELECTRIC CO.,LTD.

Fig.7 : PACKAGING SPECIFICATION (FREE)

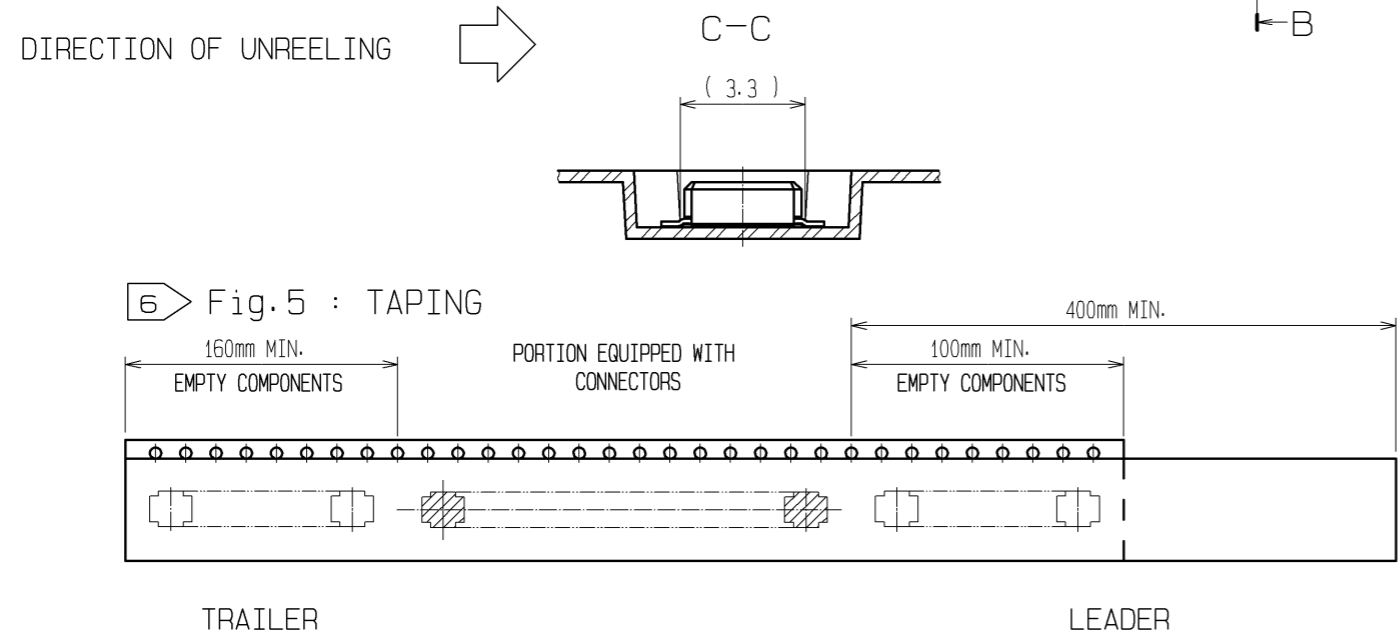
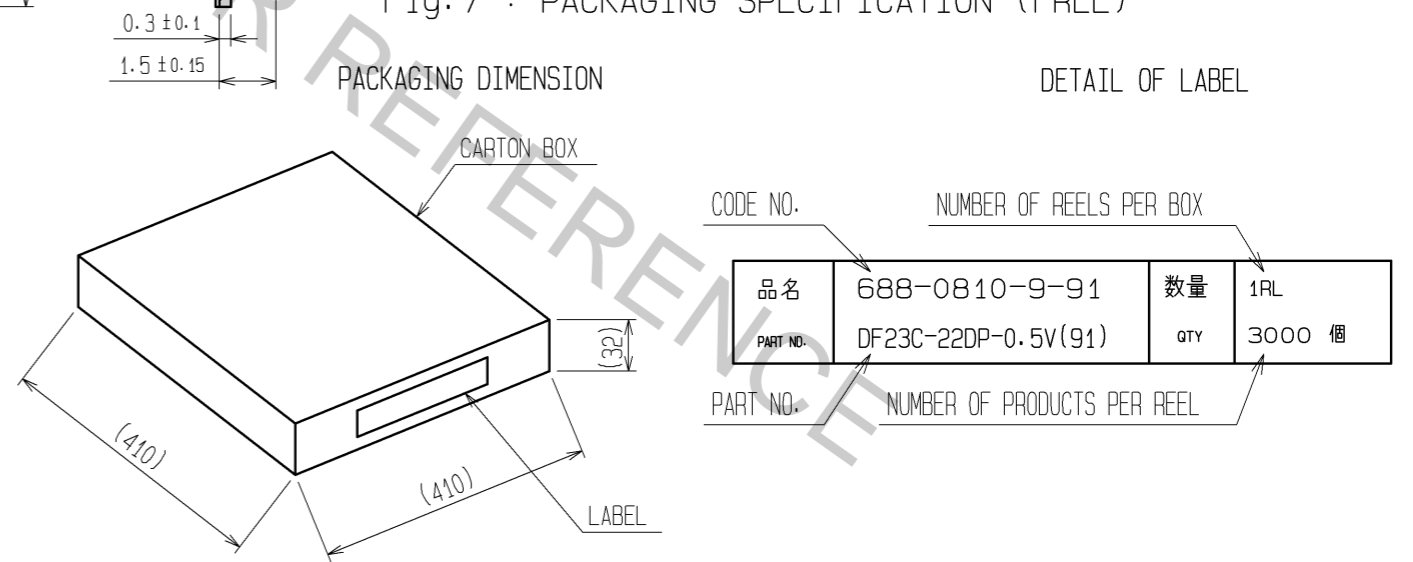


Fig.5 : TAPING



品名	688-0810-9-91	数量	1RL
PART NO.	DF23C-22DP-0.5V(91)	QTY	3000 個

NOTES 5 PER REEL 3000 CONNECTORS  
 6 REFER TO JIS C 0806.  
 (PACKAGING OF COMPONENTS FOR AUTOMATIC HANDLING)  
 7 DETAIL OF PART NO. LABEL IS WRITTEN IN JAPANESE.  
 8 THE DIMENSIONS IN PARENTHESES ARE FOR REFERENCE.

<b>HRS</b>	DRAWING NO.	EDC3-307592-04
	PART NO.	DF23C-22DP-0.5V(91)
	CODE NO.	CL688-0810-9-91
		△ 2/2