

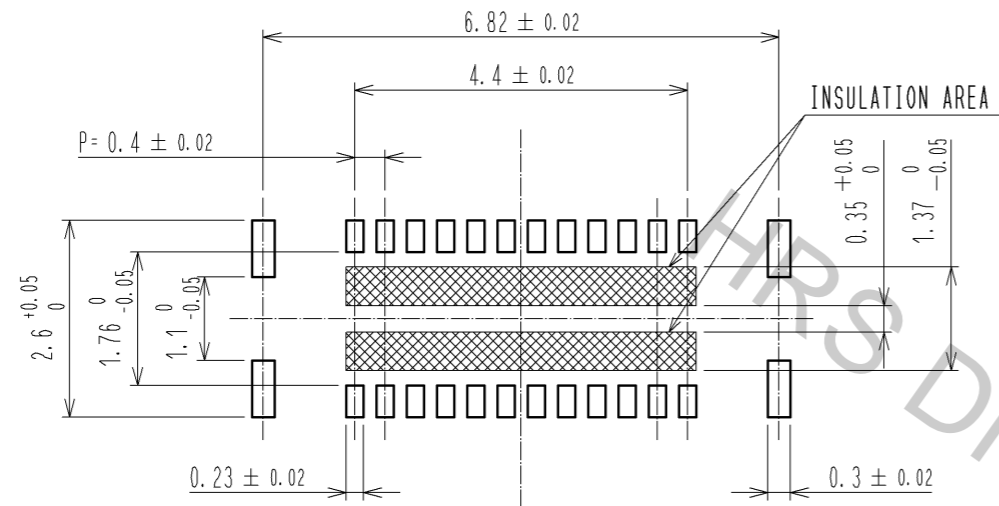
NOTE 1 . ALL LEAD CO-PLANARITY SHALL BE 0.08mm MAX
 2 CONTACT PLATING SPECIFICATIONS
 CONTACT AREA : GOLD 0.05 μm MIN
 SMT LEAD : GOLD 0.05 μm MIN
 UNDERPLATING : NICKEL 1 μm MIN
 (SURFACE : SEALING)
 3 METAL FITTING PLATING SPECIFICATIONS
 SMT LEAD : GOLD 0.05 μm MIN
 UNDERPLATING : NICKEL 1 μm MIN
 (SURFACE : SEALING)
 4 HRS MARK AND CAV NO. ARE INDICATED IN APPROX POSITION SHOWN.

NO.	MATERIAL	FINISH .	REMARKS	NO.	MATERIAL	FINISH .	REMARKS
4	PS		CLEAR (EMBOSSED CARRIER TAPE)	7	PS		CLEAR (REINFORCEMENT COLLAR)
3	BRASS	3		6	PS		BLACK (PLASTIC REEL)
2	PHOSPHOR BRONZE	2		5	POLYESTER		CLEAR (COVER TAPE)
1	LCP		UL94 V-0, BLACK				

UNITS	SCALE	COUNT	DESCRIPTION OF REVISIONS	DESIGNED	CHECKED	DATE
mm	10:1	1	DIS-H-007926	Hongwoo. Jo	WR. FUKUCHI	13.05.30

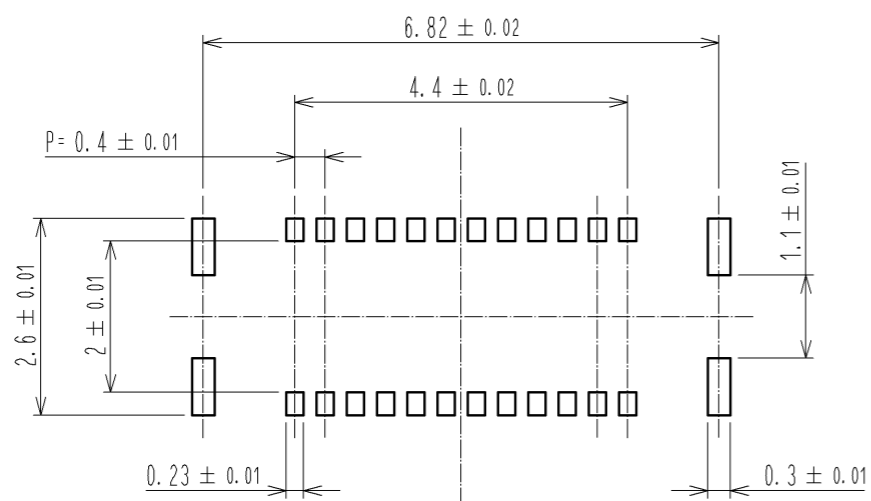
APPROVED	DATE	DRAWING NO.
KH. IKEDA	12.11.19	EDC3-347097-01
CHECKED	DATE	PART NO.
WR. FUKUCHI	12.11.19	BM20B(0.6)-24DS-0.4V(51)
DESIGNED	DATE	CODE NO.
RT. SHIMIZU	12.11.19	CL684-9310-0-51
DRAWN	DATE	
YS. YAMAZAKI	12.11.16	

◆ RECOMMENDED PCB LAYOUT

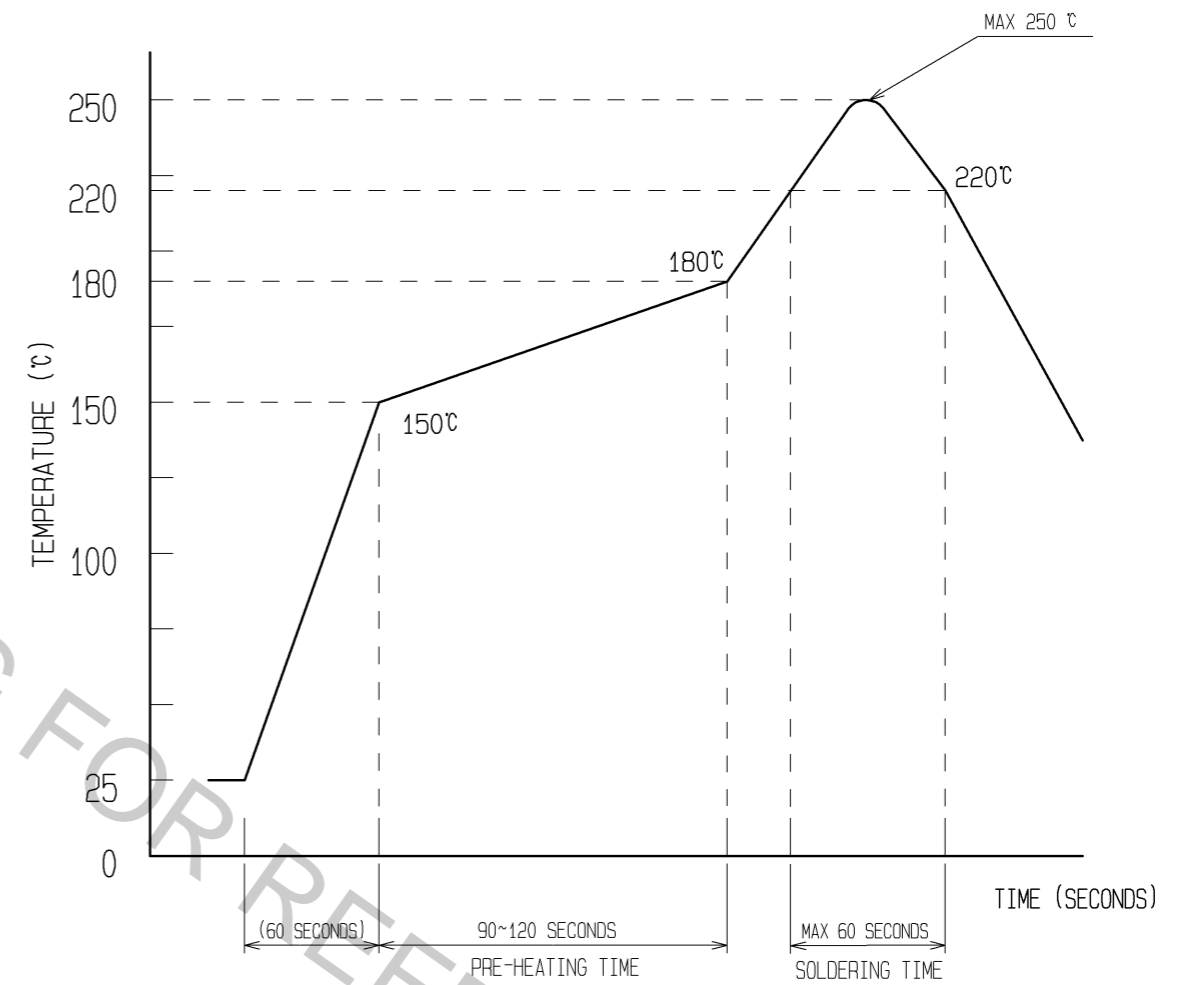


◆ RECOMMENDED METAL MASK DIMENSIONS

MATAL MASK THICKNESS : $100 \mu\text{m}$



5 RECOMMENDED REFLOW TEMPERATURE PROFILE USING LEAD-FREE SOLDER PASTE.



REFLOW METHOD : IR REFLOW
NUMBER OF REFLOW CYCLES : 2 CYCLES MAX.

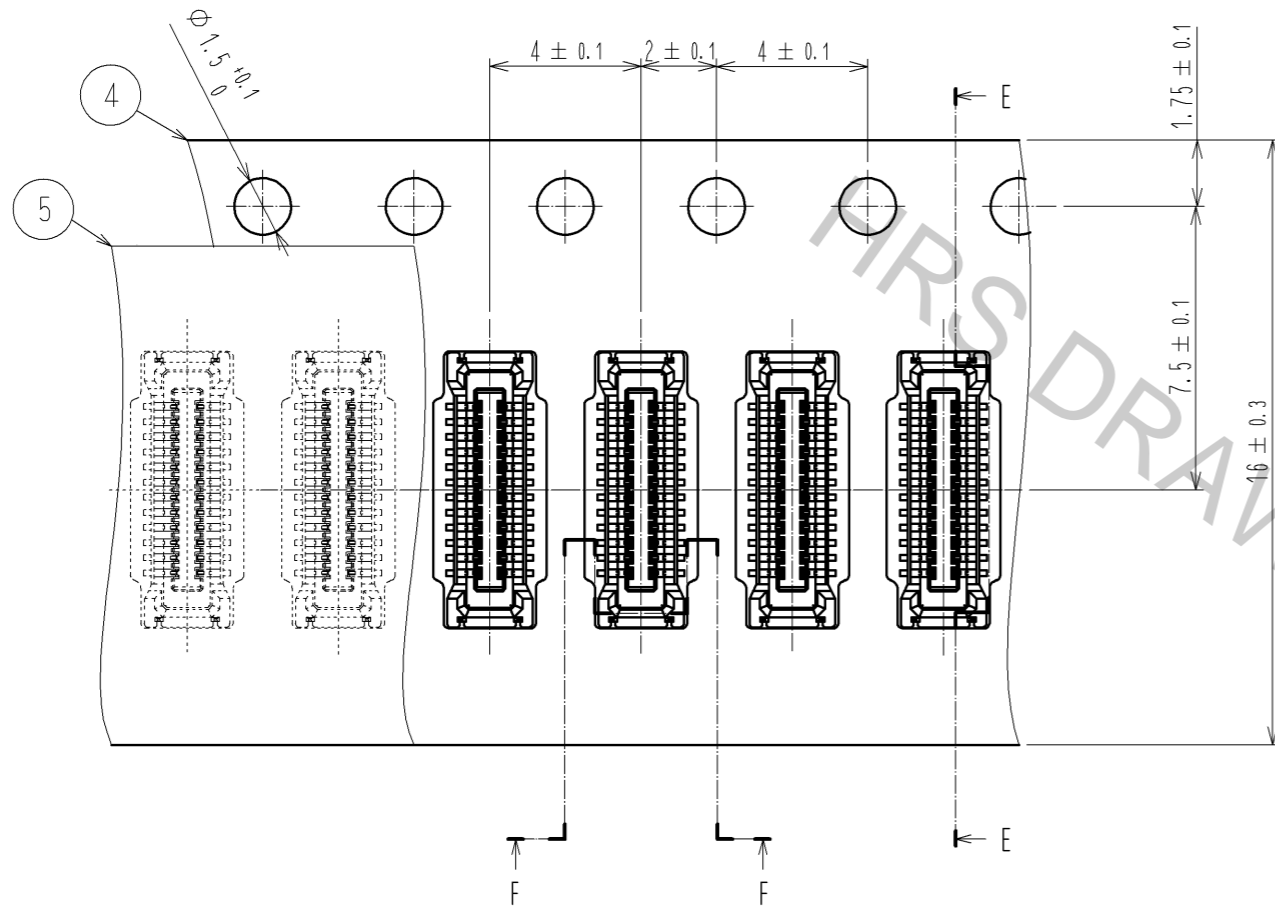
- 1) REFLOW TIME
DURATION ABOVE 220°C, 60 SEC MAX.
(PEAK TEMPERATURE : 250°C MAX)
- 2) PRE-HEAT TIME
PRE-HEAT TEMPERATURE(MIN): 150°C
PRE-HEAT TEMPERATURE(MAX): 180°C
PRE-HEAT TIME: 90-120 SEC.

5 THE TEMPERATURE PROFILE IS PER THE CONDITIONS SHOWN ABOVE. ADDITIONAL FACTORS, SUCH AS SOLDER PASTE TYPE, PCB SIZE AND OTHER MOUNTED COMPONENTS COULD AFFECT THE PROFILE, THEREFORE, A THOROUGH EVALUATION OF MOUNTING CONDITION IS REQUIRED PRIOR TO PRODUCTION. TEMPERATURE IS MEASURED AT CONTACT LEAD.

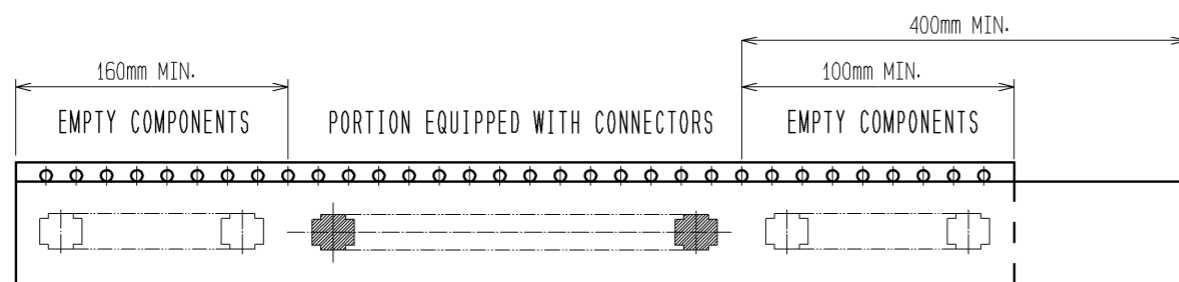
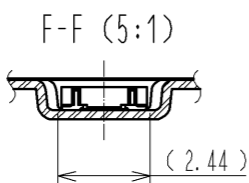
HRS

DRAWING NO.	EDC3-347097-01	
PART NO.	BM20B(0.6)-24DS-0.4V(51)	
CODE NO.	CL684-9310-0-51	2/3

EMBOSSED CARRIER TAPE PACKAGING (5:1)



DIRECTION OF UNREELING

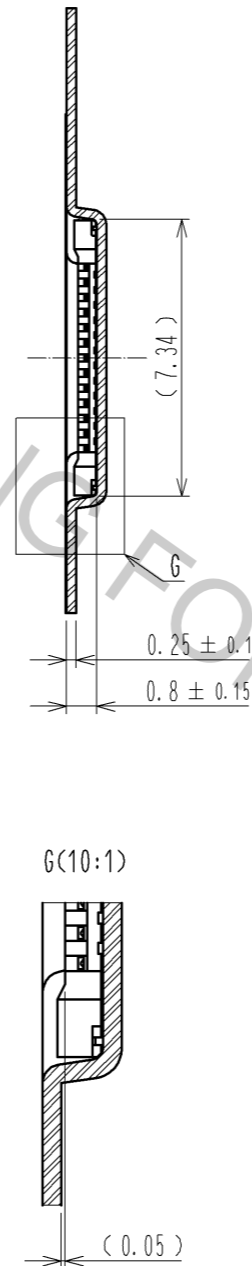


TRAILER

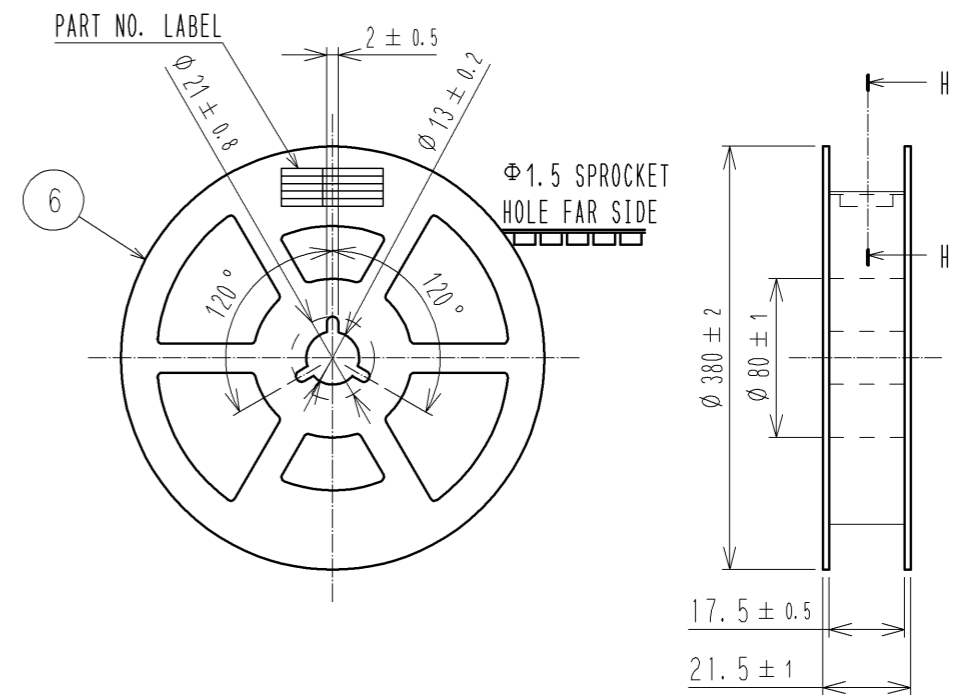
8 TAPING (FREE)

LEADER

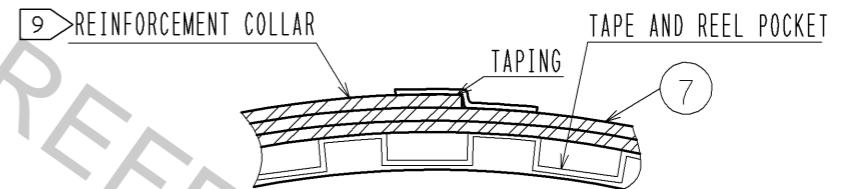
E-E (5:1)



STYLE AND DIMENSION OF REEL (FREE)



H-H (FREE)



DETAIL OF PART NO. LABEL

製造年月日	** ** *
製品コード	CL0684-9310-0-51
製品名	BM20B(0.6)-24DS-0.4V(51)
数量	8,000
納入者	ヒロセ電機(株)

DATA OF MANUFACTURED
CODE NO.
PART NO.
QUANTITY
SUPPLIER

6. PER REEL 8000 CONNECTORS.

7. THE DIMENSIONS IN PARENTHESES ARE FOR REFERENCE.

8. REFER TO JIS C 0806(PACKAGING OF COMPONENTS FOR AUTOMATIC HANDLING)

9. AFTER PACKAGING, ROLL 2 METERS OF THE REINFORCEMENT COLLAR TO OUTER CIRCUMFERENCE OF TAPE AND REEL POCKET. AND TAPE DOWN AT THE END THE COLLAR.

HRS

DRAWING NO.	EDC3-347097-01
PART NO.	BM20B(0.6)-24DS-0.4V(51)
CODE NO.	CL684-9310-0-51

3/3