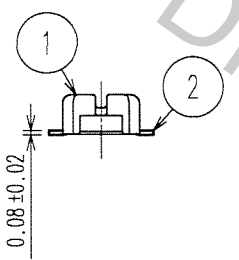
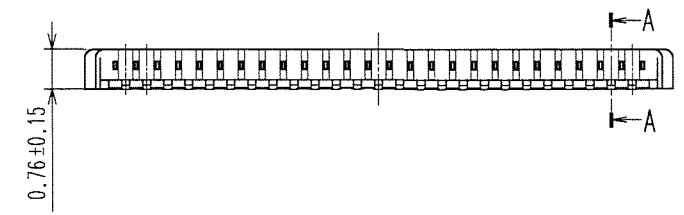
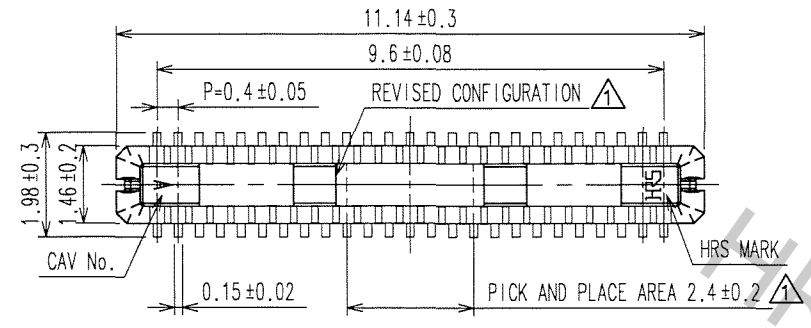
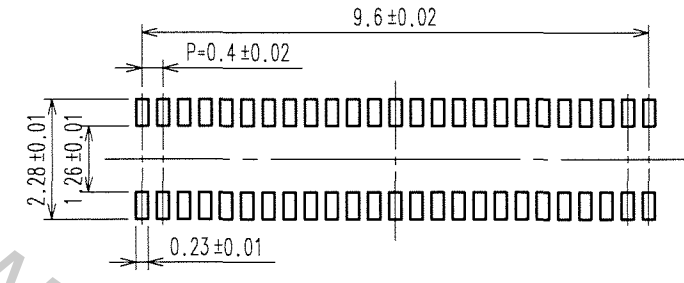


Apr.1.2017 Copyright 2017 HIROSE ELECTRIC CO., LTD. All Rights Reserved.

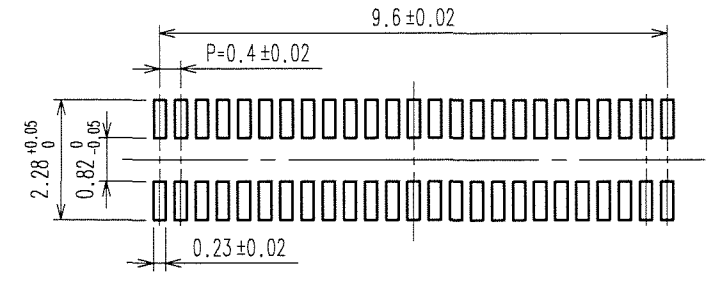
COUNT	DESCRIPTION OF REVISIONS	BY	CHKD	DATE	COUNT	DESCRIPTION OF REVISIONS	BY	CHKD	DATE
2	DIS-H-002764	R.S.K.M		08.01.29					



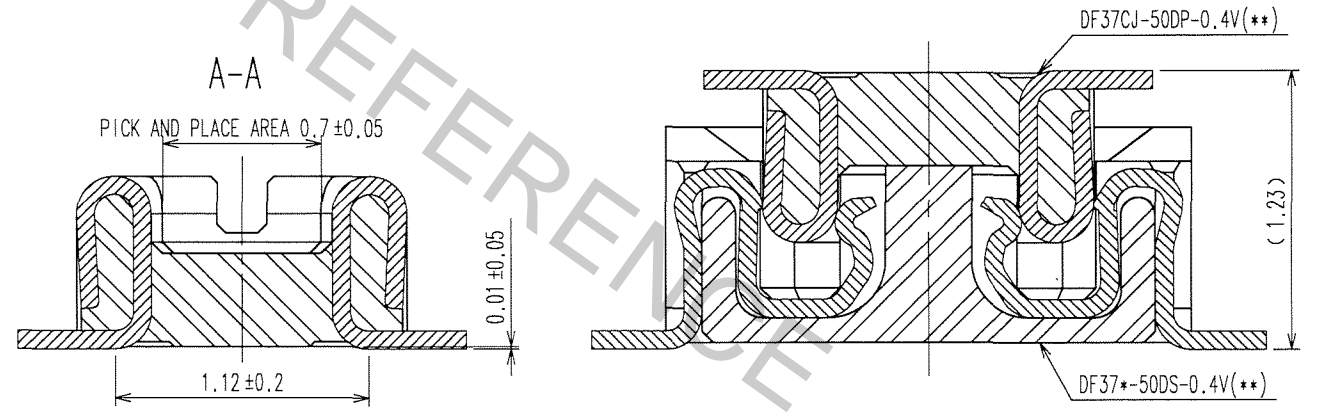
RECOMMENDED METAL MASK OPENING PATTERN



RECOMMENDED PATTERN



ENGAGEMENT FIGURE



- NOTE 1. ALL LEADS CO-PLANARITY SHALL BE 0.1 MAX.
 2. PER REEL : 1000 CONNECTORS.
 3. AT THE BEGINNING OF THE REEL, 100 mm AT MIN SHALL BE EMPTY POCKETS.
 AT THE END OF THE REEL, 160 mm AT MIN SHALL BE EMPTY.
 4. CONTACT PLATING SPECIFICATIONS.
 CONTACT AREA : GOLD 0.05μ m MIN.
 SMT LEAD : GOLD 0.05μ m MIN.
 UNDERPLATING : NICKEL 1μ m MIN.
 (SURFACE : SEALING)
 5. PEEL FORCE OF COVER TAPE REFERS TO JIS C 0806.

2	PHOSPHOR BRONZE	4	5	PS	PLASTIC REEL (BLACK)
1	LCP	UL94V-0, BLACK	4	POLYESTER	CLEAR (COVER TAPE)
			3	PS	CLEAR (EMBOSSED CARRIER TAPE)
NO.	MATERIAL	FINISH, REMARKS	NO.	MATERIAL	FINISH, REMARKS

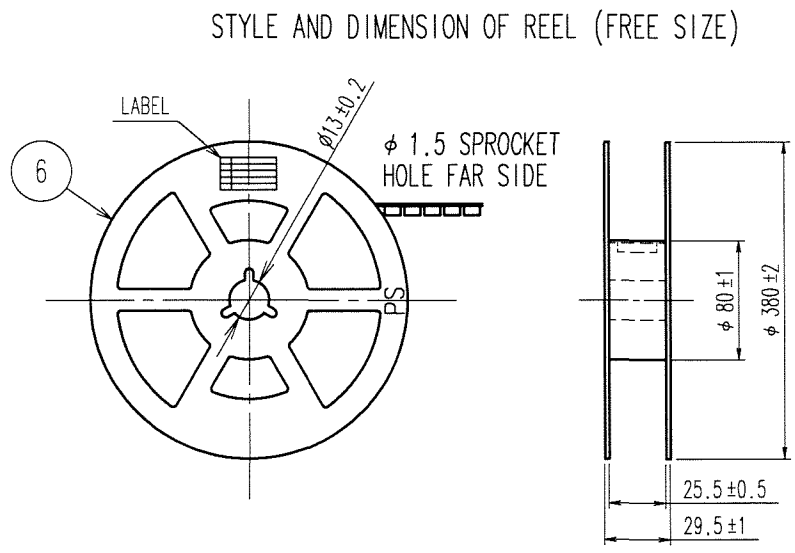
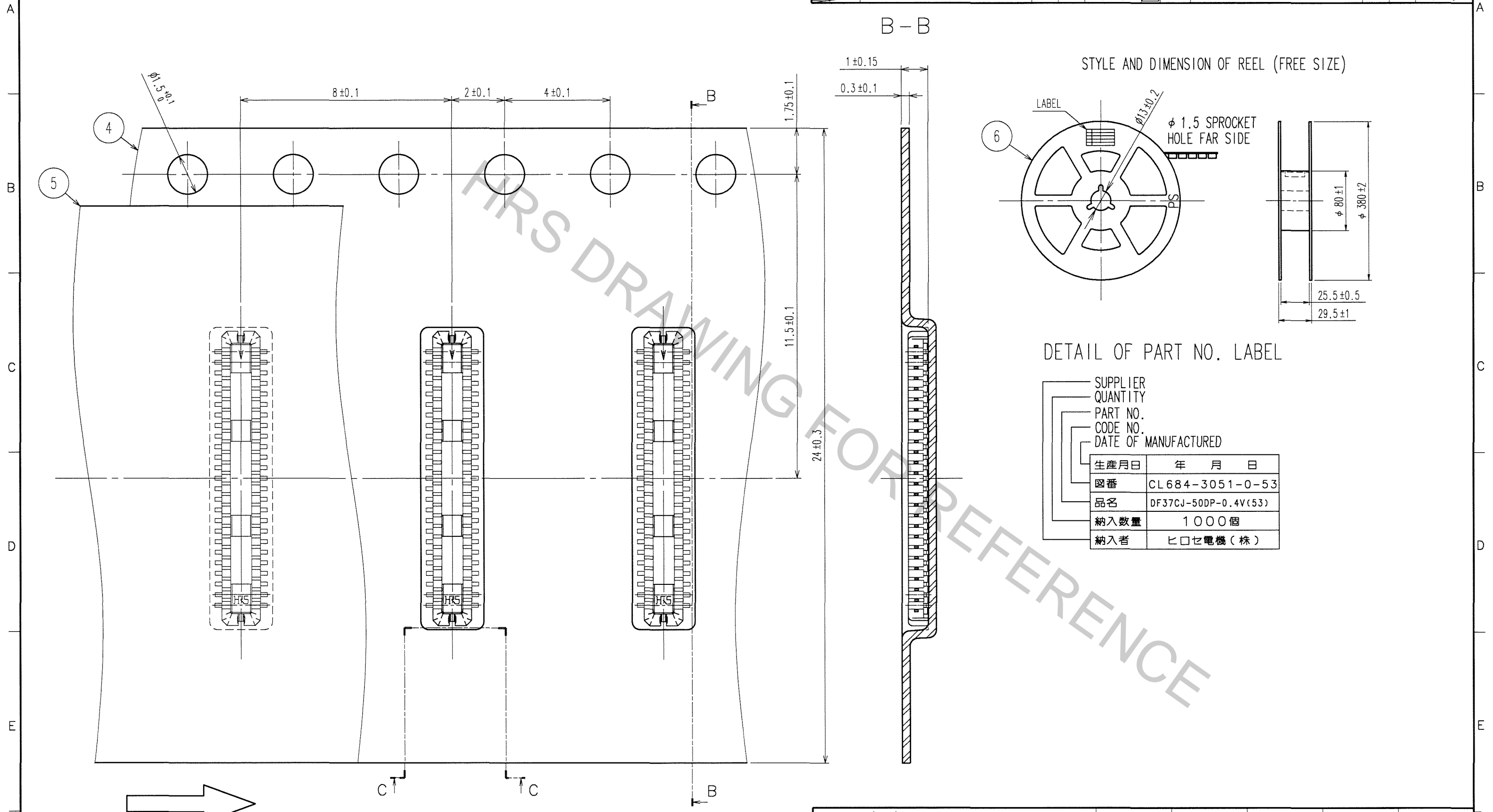
CODE NO. (OLD)	DRAWN	DESIGNED	CHECKED	APPROVED	RELEASED
	N.Yamashiro	T.Ooi	K.Ikeda	M.Nakamura	
	'07.07.21	'07.07.21	'07.07.23	'07.07.23	

SCALE	DRAWING NO.	PART NO.
FREE	EDC3-313147-03	DF37CJ-50DP-0.4V(53)
UNITS	HIROSE ELECTRIC CO., LTD	CODE NO.
mm		CL684-3051-0-53

TO

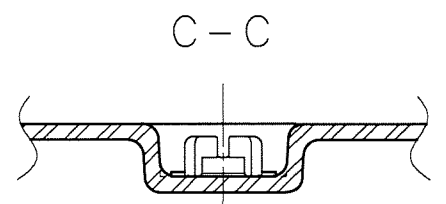
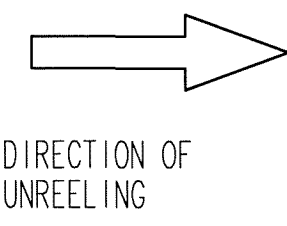
Apr.1.2017 Copyright 2017 HIROSE ELECTRIC CO., LTD. All Rights Reserved.

COUNT	DESCRIPTION OF REVISIONS	BY	CHKD	DATE	COUNT	DESCRIPTION OF REVISIONS	BY	CHKD	DATE



DETAIL OF PART NO. LABEL

SUPPLIER	
QUANTITY	
PART NO.	
CODE NO.	
DATE OF MANUFACTURED	
生産月日	年 月 日
図番	CL684-3051-0-53
品名	DF37CJ-50DP-0.4V(53)
納入数量	1000個
納入者	ヒロセ電機(株)



TO

CODE NO. (OLD)	DRAWN	DESIGNED	CHECKED	APPROVED	RELEASED
	N.Yamashiro	T.Ooi	K.Ikeda	M.Nakamura	
	'07.07.21	'07.07.21	'07.07.23	'07.07.23	
SCALE	DRAWING NO.		PART NO.		
FREE	EDC3-313147-03		DF37CJ-50DP-0.4V(53)		
UNITS	HIROSE ELECTRIC CO., LTD		CODE NO.		2
mm			CL684-3051-0-53		