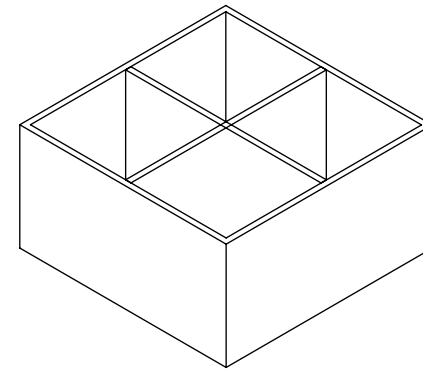


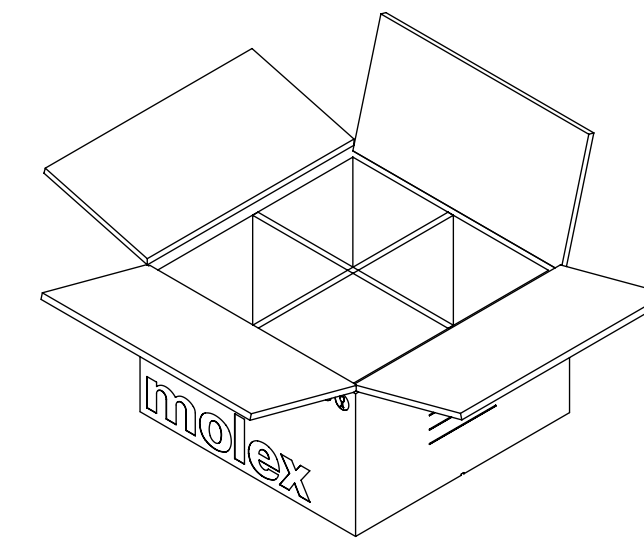
CARTON  
PART# 0967080007/ F69V196X000

+

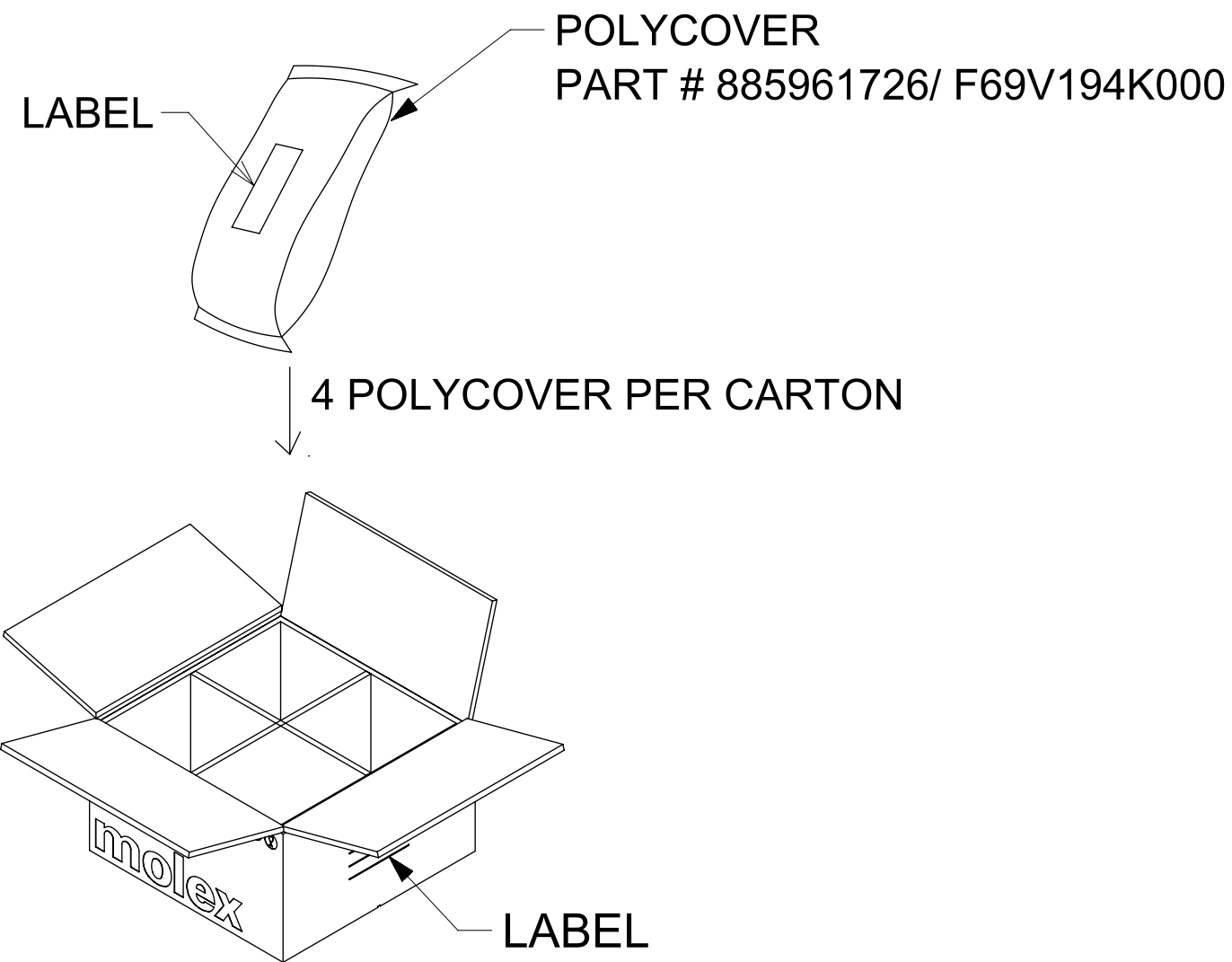


PARTITION  
PART# 313005940/F69V195X000

=



PARTITION PLACED INSIDE  
CARTON



TABLE

MOLEX PART NUMBER	PART DESCRIPTION	QTY PER POLYCOVER (pcs)	POLYCOVER PER CARTON BOX (pcs)	SPQ (pcs)
201844-0030	MULTICAT BACKSHELL 1X3 BLK 8-10AWG	250	4	1000
201844-0031	MULTICAT BACKSHELL 1X3 GRAY 8-10 AWG	250	4	1000
201844-0130	MULTICAT BACKSHELL 1X3 BLK 12-18 AWG	250	4	1000
201844-0131	MULTICAT BACKSHELL 1X3 GRAY 12-18 AWG	250	4	1000
201844-0040	MULTICAT BACKSHELL 1X4 BLK 8-10 AWG	200	4	800
201844-0041	MULTICAT BACKSHELL 1X4 GRAY 8-10 AWG	200	4	800
201844-0140	MULTICAT BACKSHELL 1X4 BLK 12-18 AWG	200	4	800
201844-0141	MULTICAT BACKSHELL 1X4 GRAY 12-18 AWG	200	4	800

NOTES:

- 1.MAKE SURE PROPER PROTECTION ON BACKSHELLS
- 2.SEAL THE POLYCOVER
- 3.BAR CODE LABELING AS PER ES-4000-7012
- 4.PACKAGING QUANTITY DETAILS ARE PROVIDED IN THE TABULAR COLUMN
- 5.ONE SPQ IN ONE BOX
- 6.PART NUMBER IMAGES ILLUSTRATION PURPOSE ONLY, REFER CORRESPONDING PART DRAWING FOR PRECISE DETAILS
- 7.PLACE 4 POLYCOVER IN ONE CARTON BOX, ONE POLYCOVER IN EACH PARTITION

QUALITY SYMBOLS	THIS DRAWING CONTAINS INFORMATION THAT IS PROPRIETARY TO MOLEX ELECTRONIC TECHNOLOGIES, LLC AND SHOULD NOT BE USED WITHOUT WRITTEN PERMISSION												
▽ = 0	PN UPDATED EC NO: 114425 DRWN: NCSR CHKD: REV APPR: KPRASAD A1	2017/03/13 2017/03/16	GENERAL TOLERANCES (UNLESS SPECIFIED)	DIMENSION UNITS	SCALE								
▽ = 0			MM	NTS									
▽ = 0			DRWN BY	DATE									
▽ = 0			4 PLACES ±	ANGULAR TOL ±	MUM	2017/03/06	MULTICAT BACKSHELLS WTW						
▽ = 0			3 PLACES ±	2 PLACES ±	CHK'D BY	DATE							
▽ = 0			2 PLACES ±	1 PLACE ±	APPR BY	DATE							
▽ = 0			0 PLACES ±	DRAFT WHERE APPLICABLE MUST REMAIN WITHIN DIMENSIONS	KPRASAD	2017/03/09	PACKAGING DESIGN DRAWING						
□ = 0			A2	DRAWING SIZE	THIRD ANGLE PROJECTION	SERIES						MATERIAL NUMBER	CUSTOMER
■ = 0			A2	A2	THIRD ANGLE PROJECTION	201844						SEE DRAWING	GENERAL MARKET
▽ = 0			DOCUMENT NUMBER		DOC TYPE		DOC PART	SHEET NUMBER	2018440000-PK PDD 000 1 OF 1				