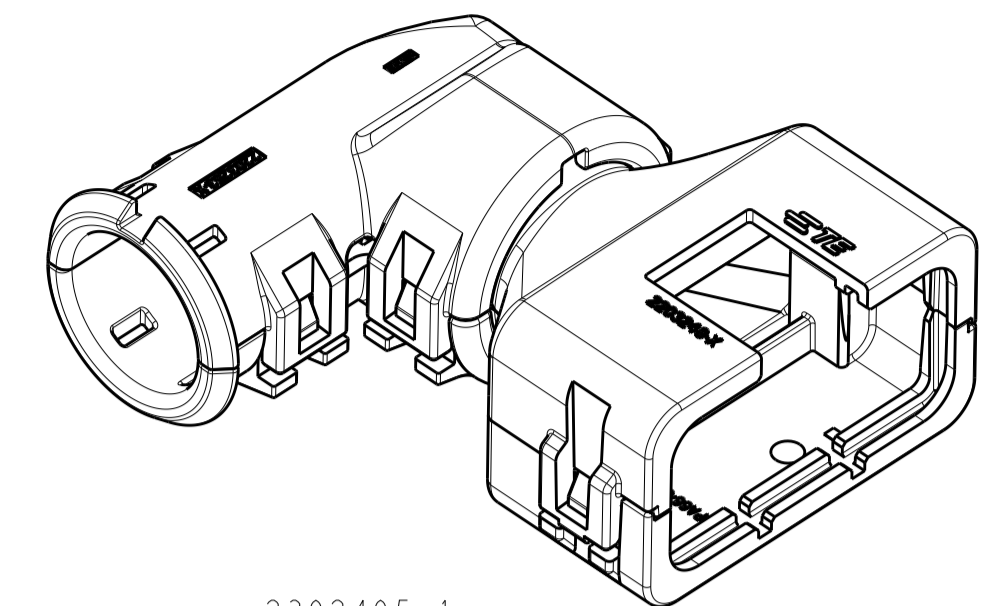
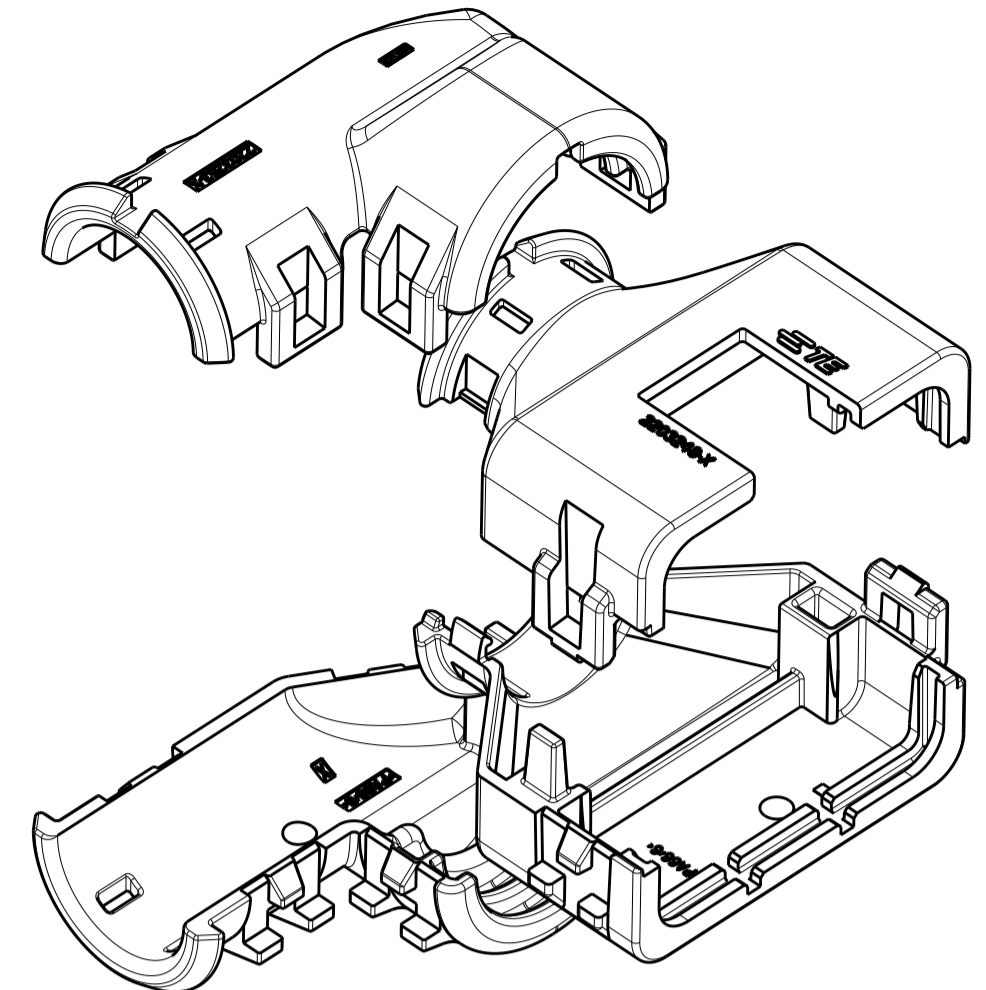


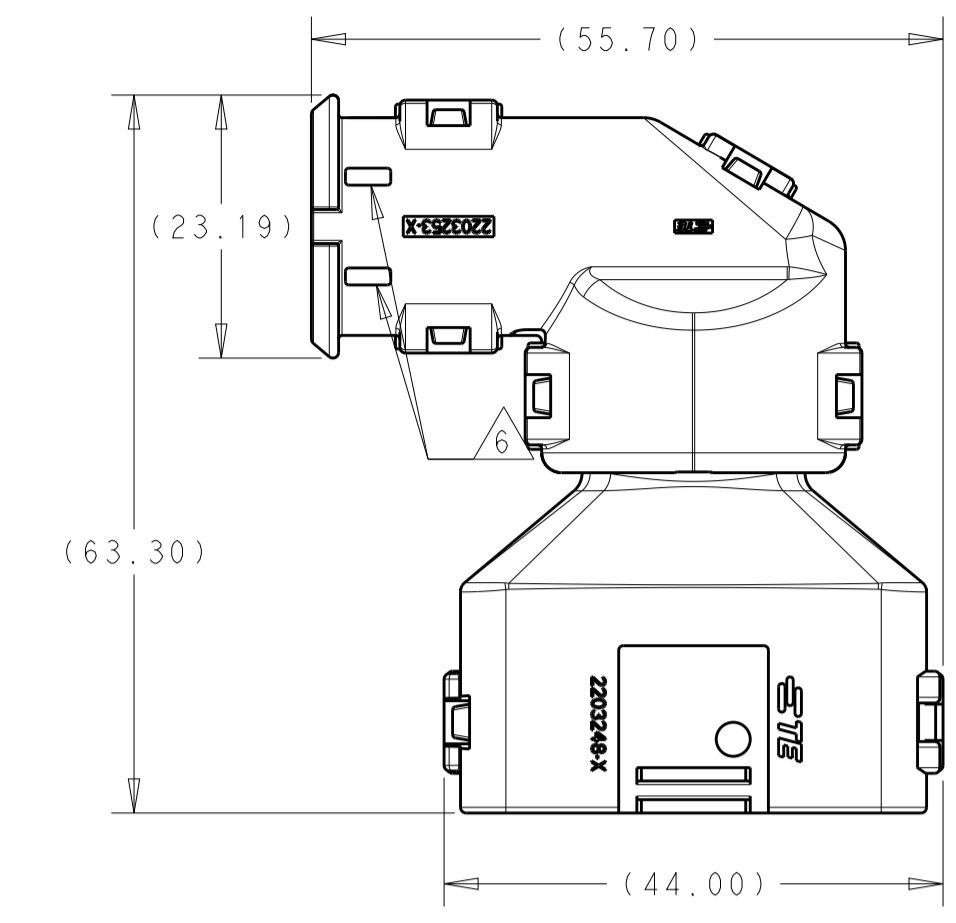
REVISIONS				
P	LTN	DESCRIPTION	DATE	APVD
A		RELEASED PER ECO-16-008203	01JUN2016	JM RB
A2		REV PER ECO-16-013256	08SEP2016	JM RB



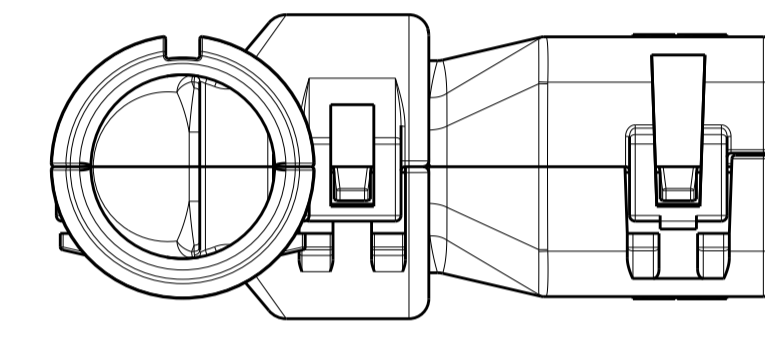
2302495-1  
ASSEMBLED ISOMETRIC VIEW SHOWN



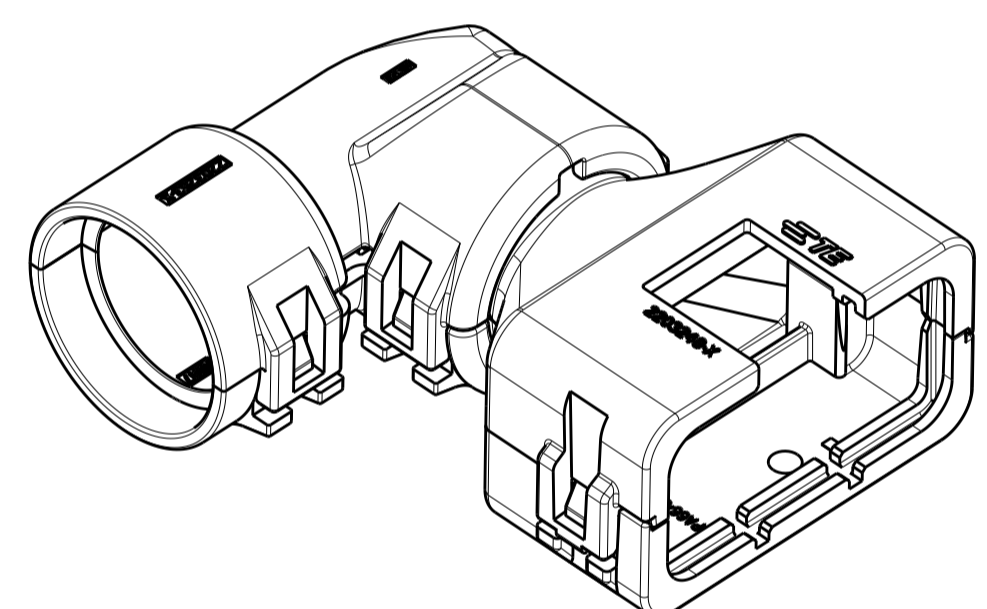
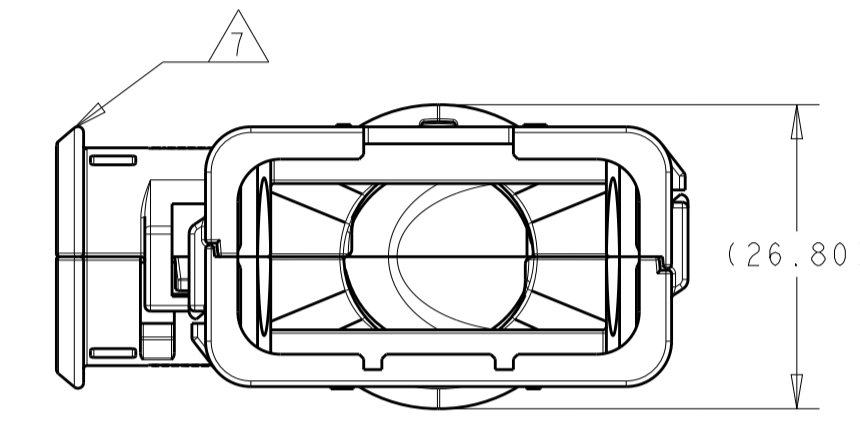
2302495-1  
EXPLODED ISOMETRIC VIEW SHOWN



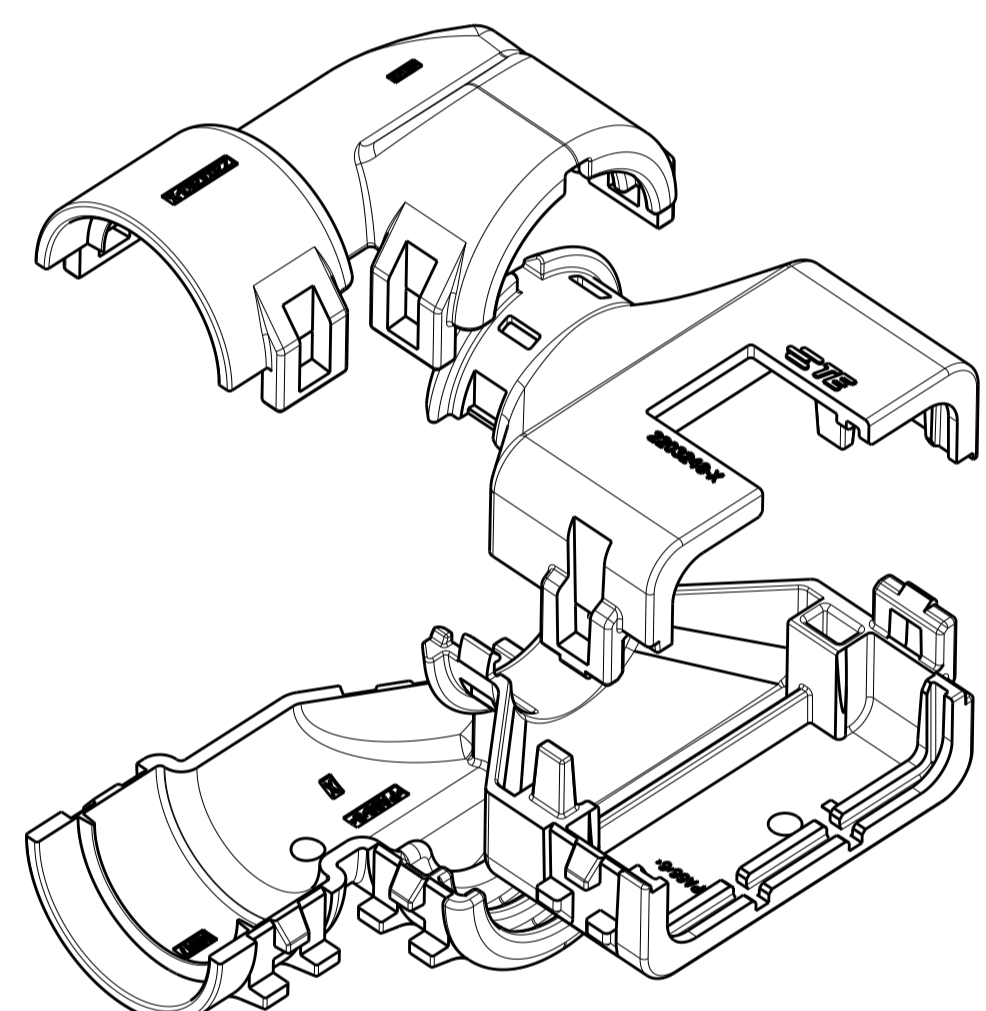
- 1 MATERIAL: NYLON MOLDING COMPOUND, BLACK, PA66/6.
- 2 BACKSHELL DESIGNED SUCH THAT TWO HALVES ATTACH TO ONE ANOTHER AND CLAMP AROUND THE CONNECTOR COVER.
- 3 ELBOW DESIGNED SUCH THAT TWO HALVES ATTACH TO ONE ANOTHER AND CLAMP AROUND THE BACKSHELL COLLAR.
- 4 DIMENSIONS TO BE MEASURED WHEN ELBOWS AND BACKSHELLS ASSEMBLED.
- 5 PRODUCT WEIGHTS:  
 2302495-1: 15.05g ASSEMBLED  
 2302495-2: 15.50g ASSEMBLED  
 2302495-3: 15.25g ASSEMBLED
- 6 4MM WIDE SLOTS FOR TIE WRAP TO SECURE HARNESS WIRES (-1 ONLY).
- HEAT SHRINK TUBING FEATURE (-1 AND -3 ONLY).
- 8. INSTRUCTION SHEET: 408-151043.
- 9. CONDUIT PROFILE: NORMAL ONLY.



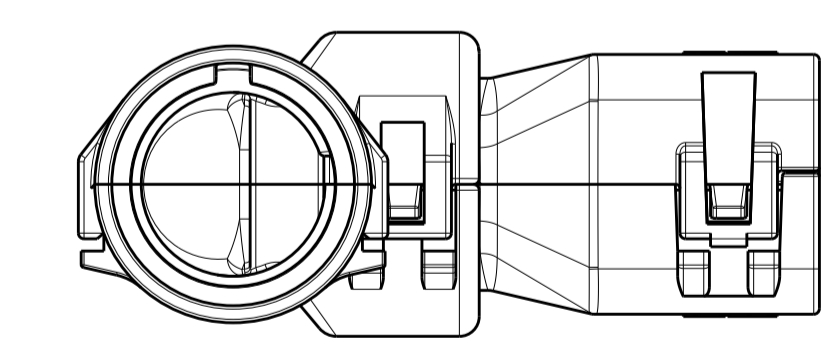
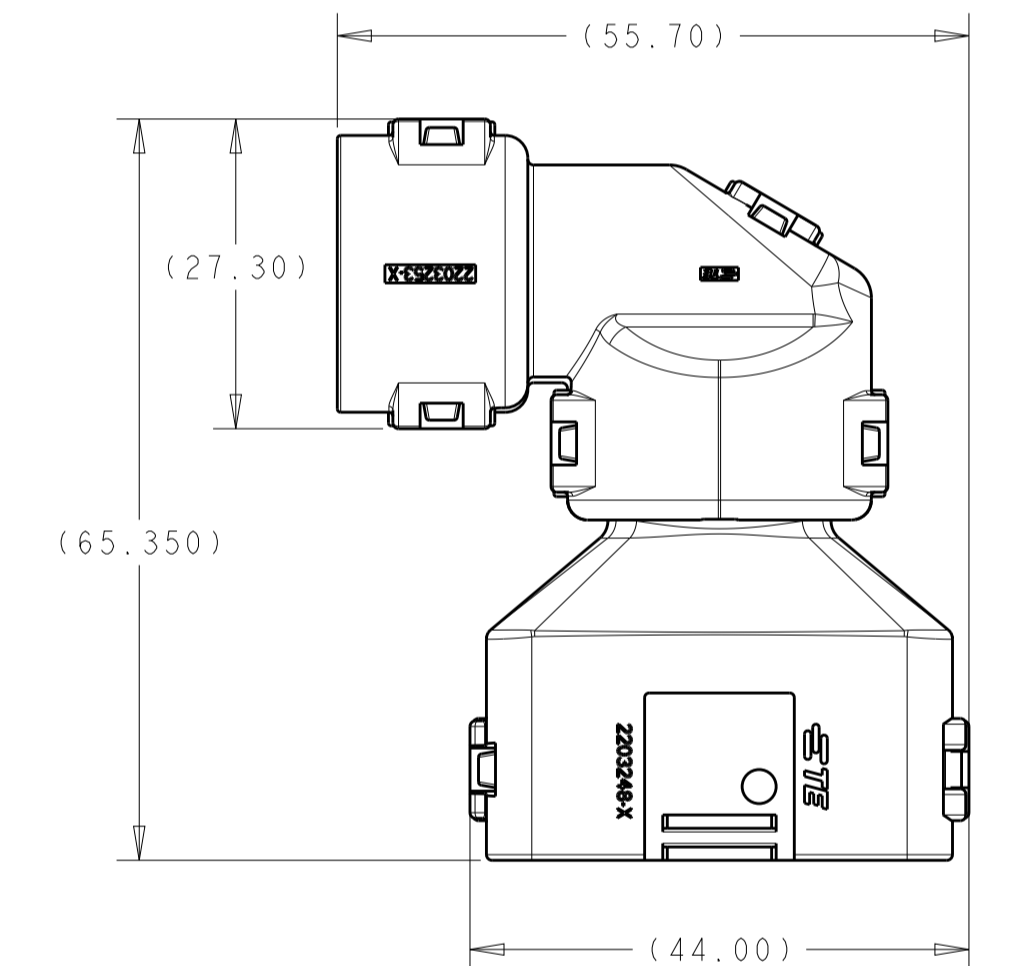
2302495-1  
ASSEMBLED VIEW SHOWN  
DIMENSIONS SHOWN TYPICAL FOR 2302495-1 AND -3



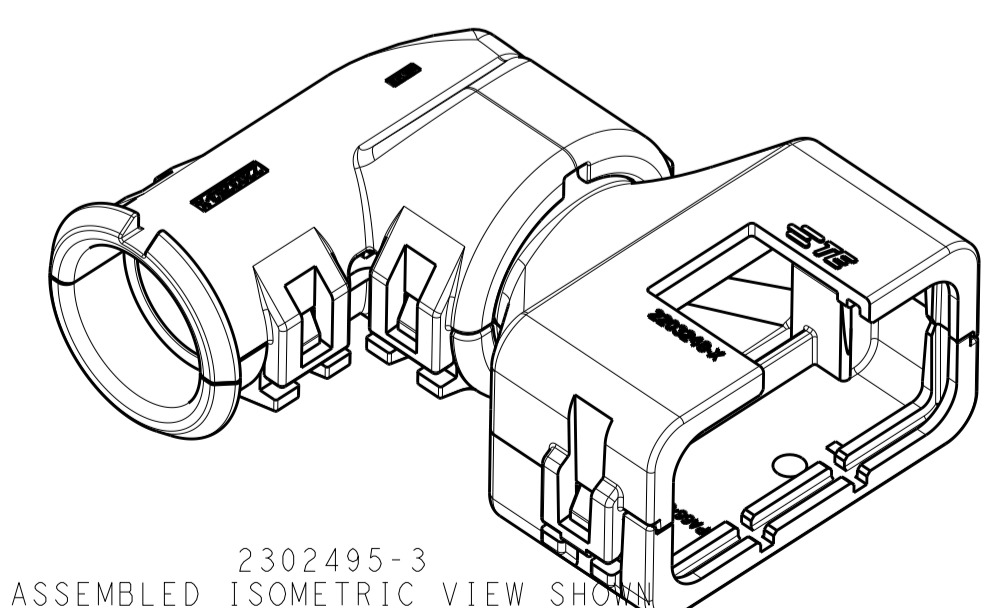
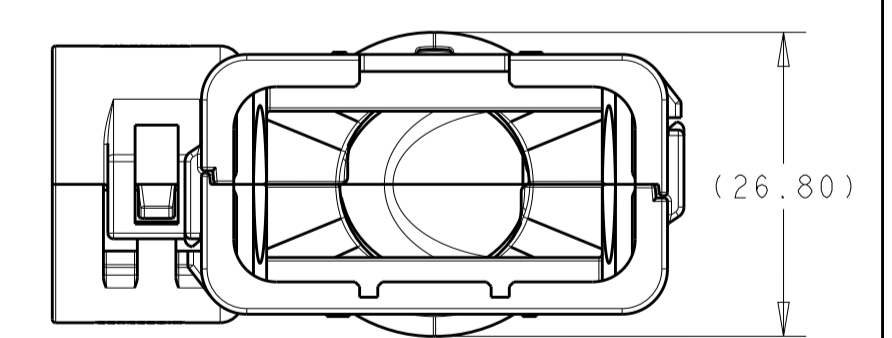
2302495-2  
ASSEMBLED ISOMETRIC VIEW SHOWN



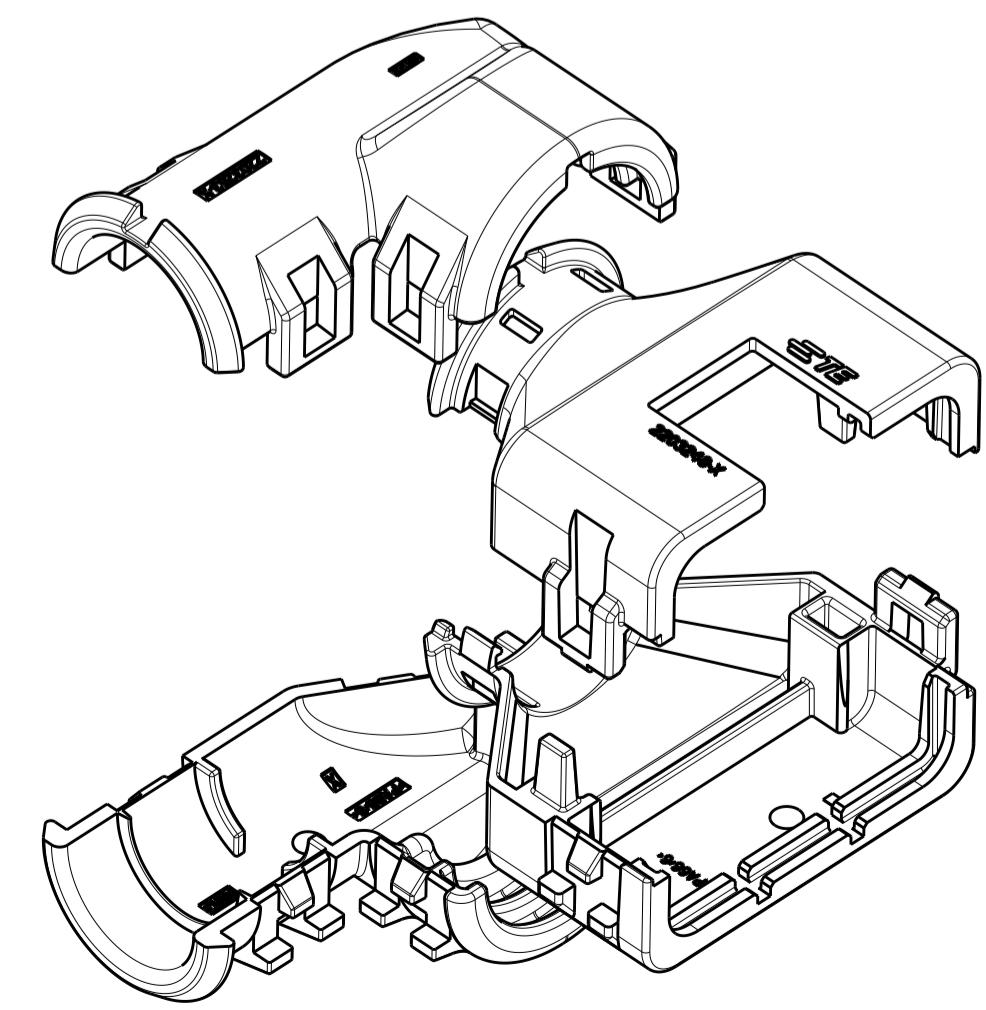
2302495-2  
EXPLODED ISOMETRIC VIEW SHOWN



2302495-2  
ASSEMBLED VIEW SHOWN  
DIMENSIONS SHOWN FOR 2302495-2 ONLY



2302495-3  
ASSEMBLED ISOMETRIC VIEW SHOWN



2302495-3  
EXPLODED ISOMETRIC VIEW SHOWN

776437-X	NC16	NW13	2302495-3
776533-X	NC20	NW17	2302495-2
	SMOOTH	SMOOTH	2302495-1
FITS ON PLUG ASSY	CORREGATE NC	CORREGATE NW	PART NUMBER
	CONDUIT SIZE		

THIS DRAWING IS A CONTROLLED DOCUMENT.		DWN: J. MCNEAL 13APR2016	TE Connectivity	
DIMENSIONS: mm [INCHES]		CHK: R. BALTER 13APR2016	NAME: BACKSHELL AND ELBOW KIT, 12 POSN PLUG ASSY, AMPSEAL 16	
TOLERANCES UNLESS OTHERWISE SPECIFIED:		APVD: R. BALTER 13APR2016	PRODUCT SPEC: 108-151043	
0 PLC ±		APPLICATION SPEC:		
1 PLC ±		SIZE: A1		
2 PLC ±		CAGE CODE: 00779		
3 PLC ±		DRAWING NO: 2302495		
4 PLC ±		RESTRICTED TO:		
ANGLES ±		SCALE: 3:2		
FINISH:		SHEET 1 OF 1		
MATERIAL:		REV: A2		
FINISH:		CUSTOMER DRAWING		