

4

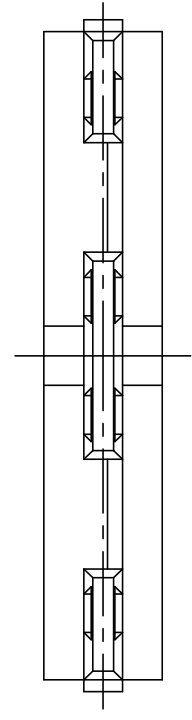
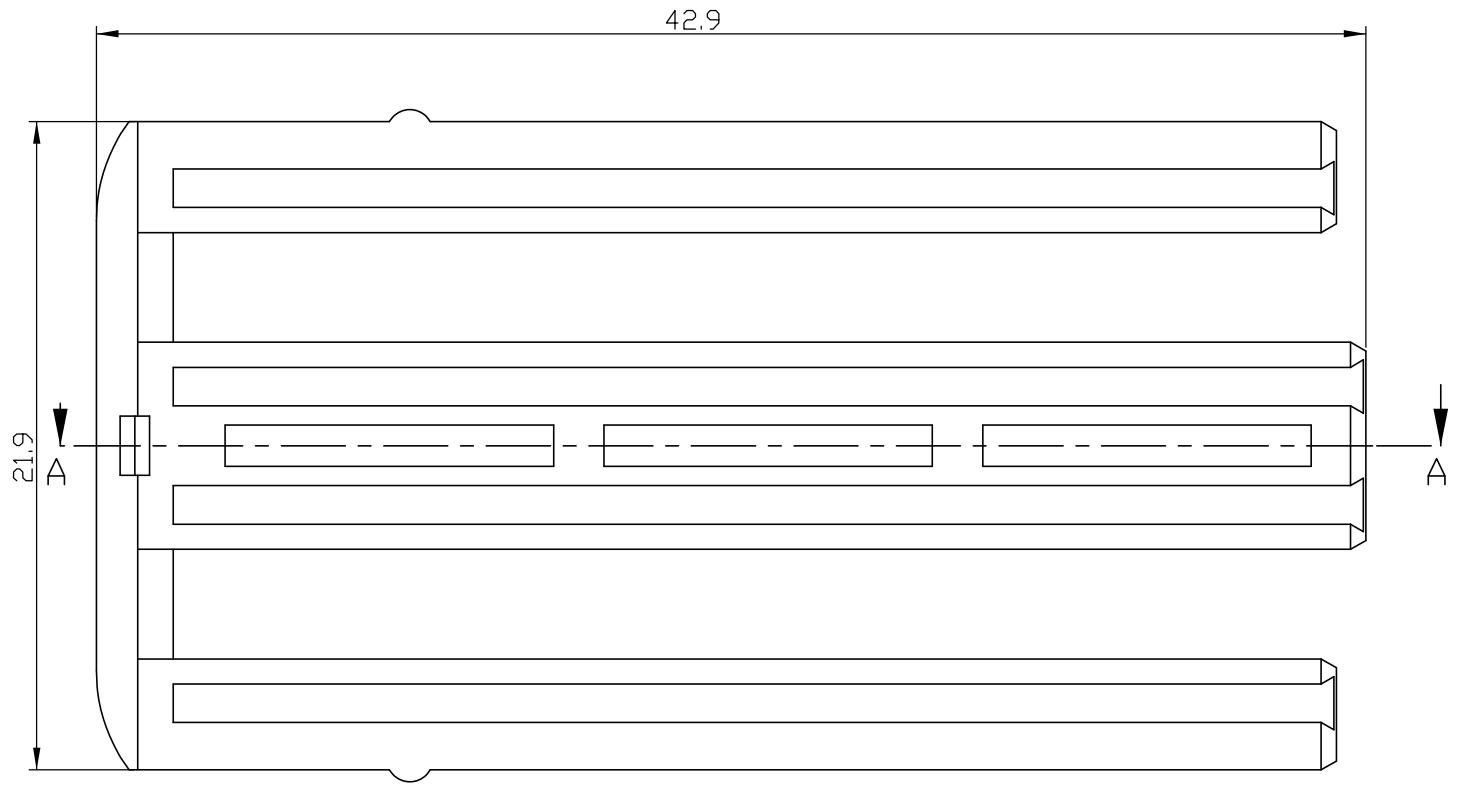
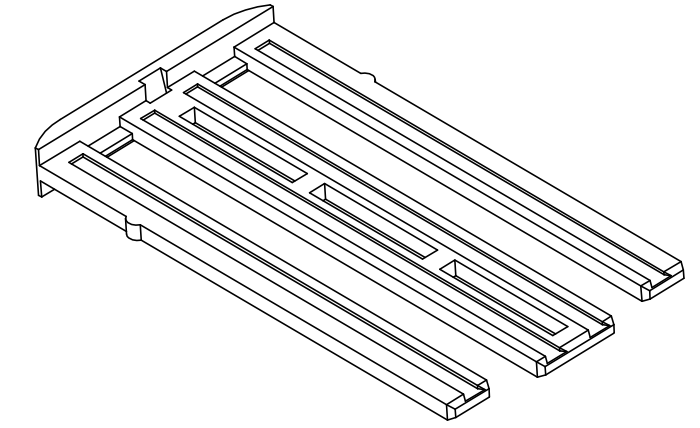
3

2

1

THIS DRAWING IS UNPUBLISHED. RELEASED FOR PUBLICATION
 © COPYRIGHT BY TYCO ELECTRONICS CORPORATION. ALL RIGHTS RESERVED.

LOC	DIST	REVISIONS					
		P	LTR	DESCRIPTION	DATE	DWN	APVD
DS	-		A	RELEASED	07.FEB'11	YH	HG



NOTE.
 1.MATING CONN'R ASSY P/N: 2005210
 2.APPLICATION TEST SPEC:
 MS210-12[EXT-2](EXCEPT 4.4)

WINE RED /RAL3005	PA66-GF30	RETAINER HSG	2005215-6
COLOR	MATERIAL	DESCRIPTION	P/N

<small>THIS DRAWING IS A CONTROLLED DOCUMENT FOR TYCO ELECTRONICS CORPORATION IT IS SUBJECT TO CHANGE AND THE CONTROLLING ENGINEERING ORGANIZATION SHOULD BE CONTACTED FOR THE LATEST REVISION.</small>		DWN YH MA CHK KT LIM APVD HG CHD PRODUCT SPEC APPLICATION SPEC WEIGHT		AMP KOREA kyungsan, korea	
DIMENSIONS: MM	TOLERANCES UNLESS OTHERWISE SPECIFIED: 0 PLC ± 1 PLC ± 2 PLC ± 3 PLC ± 4 PLC ± ANGLES ±	NAME MQS RETAINER HSG FOR TCU 68P PLUG ASS'Y		SIZE A3	CAGE CODE 00779
3rd ANGLE PROJECTION	FINISH	DRAWING NO 2005215		RESTRICTED TO	
MATERIAL		CUSTOMER DRAWING		SCALE 4:1	SHEET 1 OF 1
				REV A	