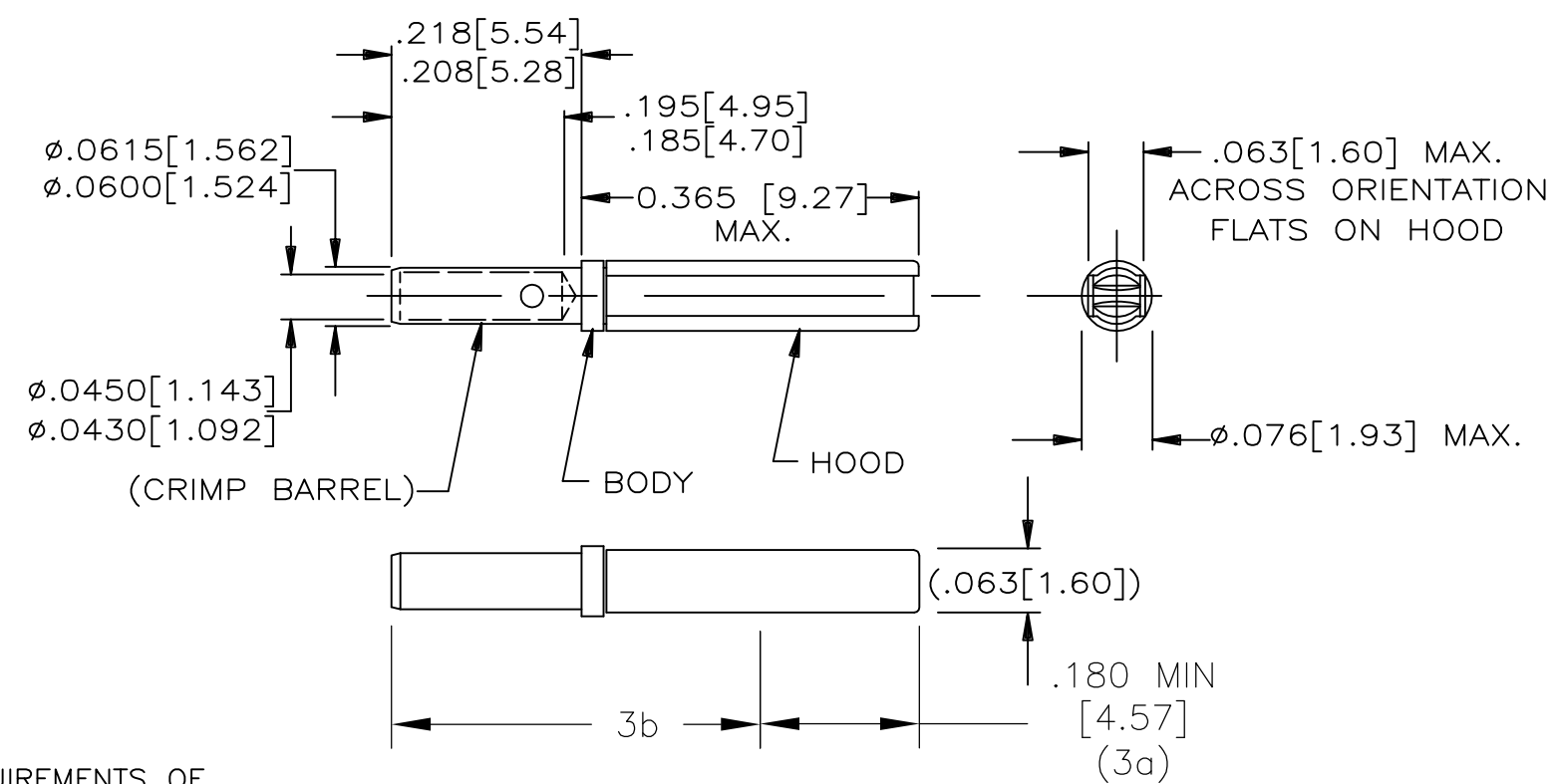


THIS DRAWING IS UNPUBLISHED. RELEASED FOR PUBLICATION
 © COPYRIGHT - By - ALL RIGHTS RESERVED.

LOC	DIST	REVISIONS			
P	LTR	DESCRIPTION	DATE	DWN	APVD
	H	REV PER ECO 14-015585	12-23-14	CT	KH



- THIS CONTACT IS DESIGNED TO MEET THE APPLICABLE REQUIREMENTS OF RAYCHEM SPECIFICATION C-6114 AND C-6115.
- MATERIAL:
 BODY: COPPER ALLOY CDA C19160 (BOILLAT C97), TESTED PER ASTM B 249.
 HOOD: STAINLESS STEEL 305, PER ASTM A 240.
- FINISH:
 BODY: GOLD PLATE PER ASTM B 488, CLASS 1
 3a: GOLD THICKNESS: 50-100µin
 3b: GOLD THICKNESS: 10µin MIN
 HOOD: PASSIVATED PER SAE AMS 2700.
- CRIMP TOOL RECOMMENDATION:
 A: TOOL NUMBER M22520/2-01
 B: POSITIONER NUMBER CE-16-06000
- THIS CONTACT MATES WITH TYCO PIN CONTACT NUMBER CTA-0166
- CRIMP BARREL DESIGNED TO ACCOMMODATE A WIRE RANGE OF AWG 20-26
- THESE CONTACTS ARE USED IN TYCO INSERTS MTCP-X22-XXS. SEE DRAWING D-659-0097 FOR INSERT CONFIGURATION.
- RECOMMENDED WIRE STRIP LENGTH: 0.195-0.215 [4.95-5.46].

THIS DRAWING IS A CONTROLLED DOCUMENT.		DWN C.C.THOMAS 23DEC2014	TE Connectivity														
DIMENSIONS: INCHES [mm]		CHK K.HOGAN 12-23-14															
TOLERANCES UNLESS OTHERWISE SPECIFIED:		APVD K.HOGAN 12-23-14	NAME CONTACT, SOCKET, CRIMP, SIZE 22-20, MTC SERIES														
<table border="0"> <tr><td>0 PLC</td><td>± -</td></tr> <tr><td>1 PLC</td><td>± -</td></tr> <tr><td>2 PLC</td><td>± -</td></tr> <tr><td>3 PLC</td><td>± -</td></tr> <tr><td>4 PLC</td><td>± -</td></tr> <tr><td>ANGLES</td><td>± -</td></tr> </table>		0 PLC	± -	1 PLC	± -	2 PLC	± -	3 PLC	± -	4 PLC	± -	ANGLES	± -	PRODUCT SPEC -	APPLICATION SPEC -		
0 PLC	± -																
1 PLC	± -																
2 PLC	± -																
3 PLC	± -																
4 PLC	± -																
ANGLES	± -																
MATERIAL -		FINISH -	WEIGHT 0.192 GR MAX	SIZE A3	CAGE CODE 06090	DRAWING NO C-CTA-0165	RESTRICTED TO -										
CUSTOMER DRAWING			SCALE NTS	SHEET 1 OF 1	REV H												