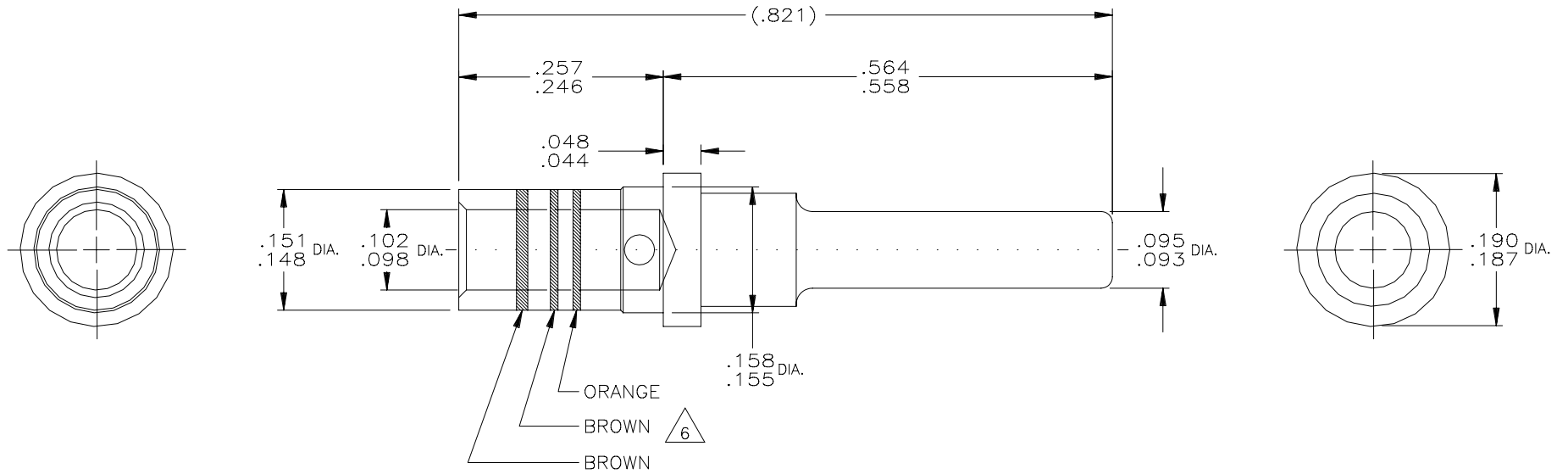


REVISIONS			
LTR	DESCRIPTION	DATE	APPROVED
C	REVISED PER ECN T-012837	8-5-86	J.B.



NOTES:

- THIS CONTACT IS DESIGNED TO MEET THE REQUIREMENTS OF MIL-C-39029/4, SIZE 12 (BIN CODE NO. 113).
- DIMENSIONS SHOWN ARE FOR REFERENCE ONLY.
- RECOMMENDED WIRE STRIP LENGTH .250 - .290.
- CRIMP TOOL RECOMMENDATION:
A - TOOL NO. M22520/1-01
B - POSITIONER NO. M22520/1-02 YELLOW
- WEIGHT: .0028 LBS. (1,270 GR) MAX.
- PART IS MARKED WITH COLOR STRIPES AS SHOWN OR WITH THE BIN CODE NO. IN ACCORDANCE WITH MIL-C-39029.

**If this document is printed it becomes uncontrolled.
Check with the web for latest revision.**

SPECIFICATION CONTROL DRAWING © Raychem Corporation 1986

UNLESS OTHERWISE SPECIFIED DIMENSIONS ARE IN INCHES. METRIC DIMENSIONS ARE IN BRACKETS.	DRAWN	A.A.	6-16-86	Raychem RAYCHEM CORPORATION 300 CONSTITUTION DRIVE MENLO PARK, CALIFORNIA 94025			
	CHECKED	J.B.		TITLE			
	APPROVED	J.BLAIR	6-18-86	CONTACT, PIN, SIZE 12 MTCR SERIES			
	APPROVED	J.CAMERON	6-20-86	CAD NAME 005202-1			
DECIMALS .XXX ± [mm] .XX ± [mm] ANGLES .X ±	THIRD ANGLE PROJECTION			SIZE	CODE IDENT. NO.	DWG. NO.	REV
WEIGHT $\triangle 5$ lbs [g]	DO NOT SCALE THIS DRAWING			C	06090	CTA-0114	C
	SHEET 1 OF 1						

SHEET 1
DWG. NO. CTA-0114