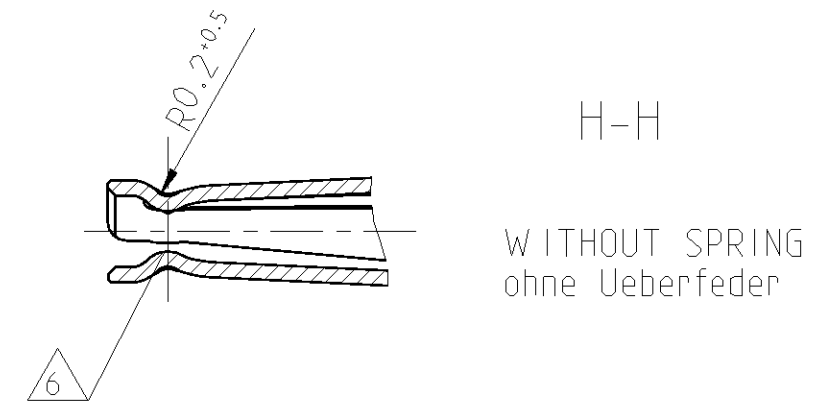
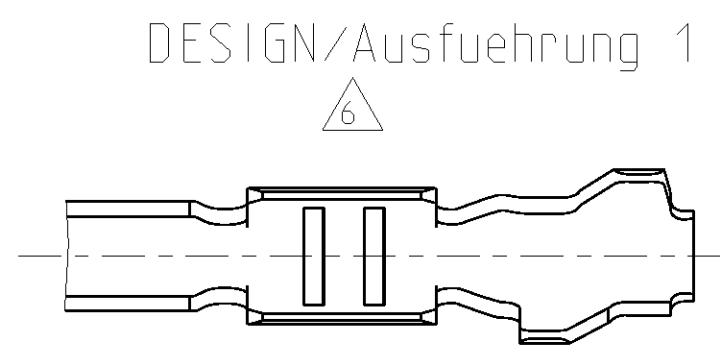
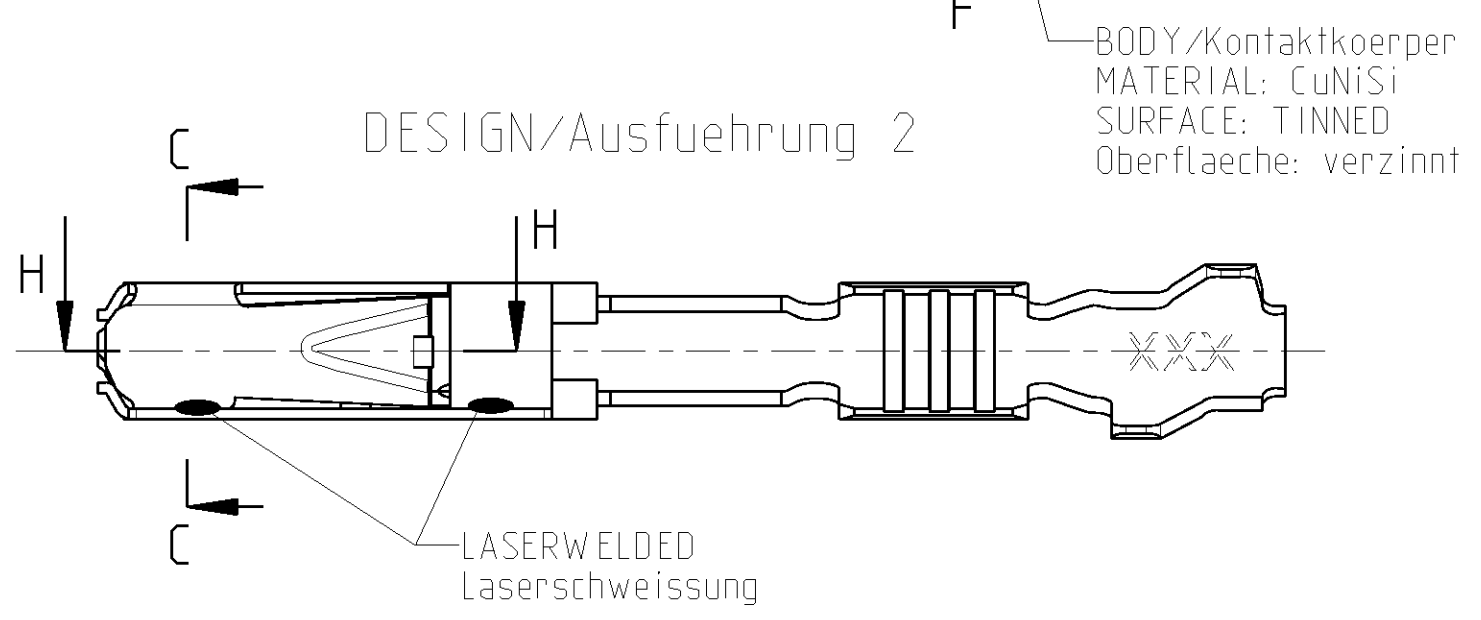
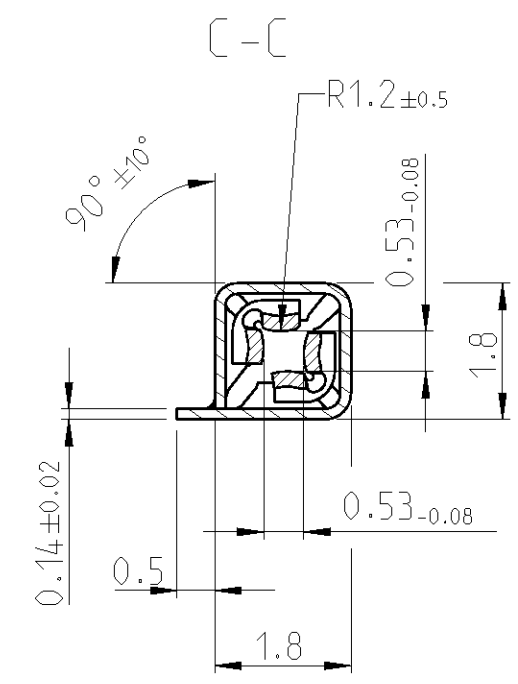
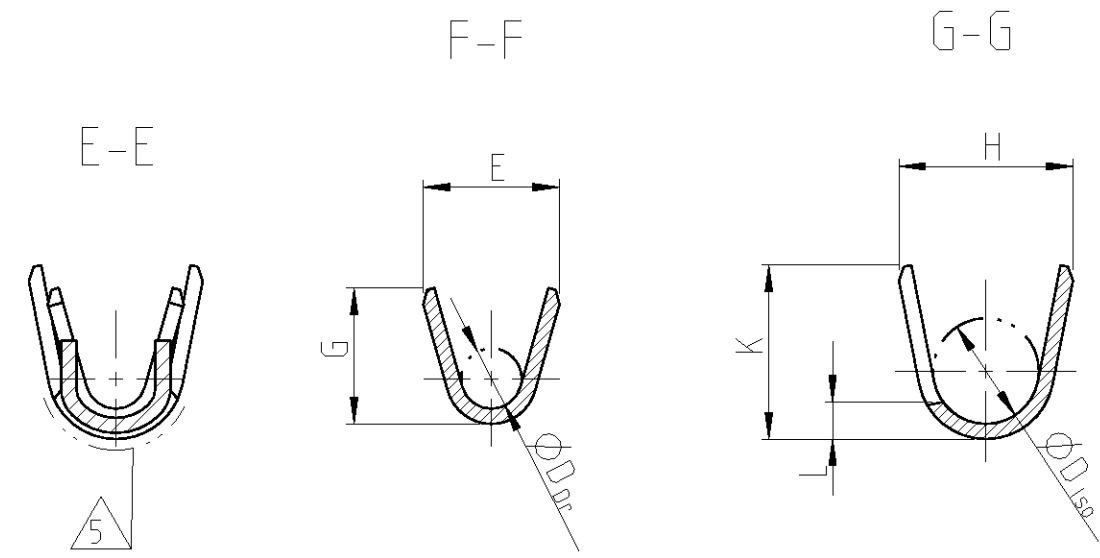
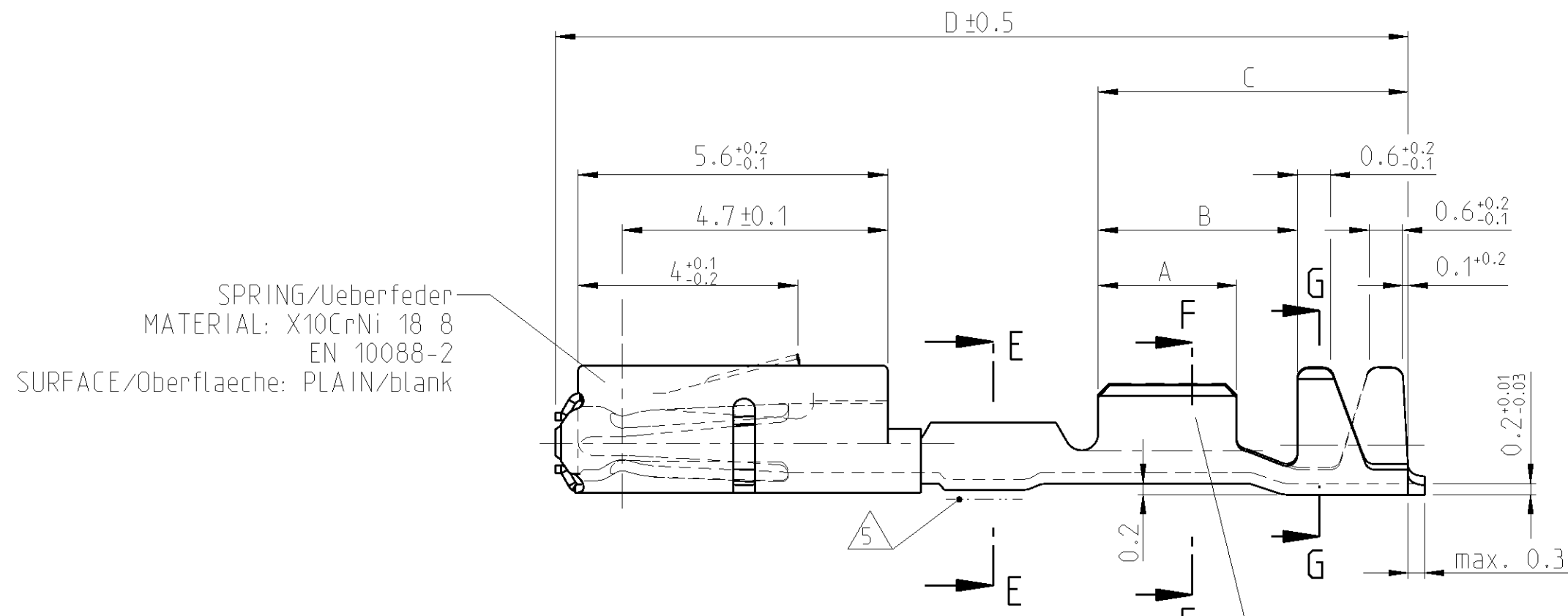
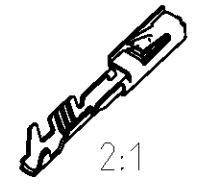
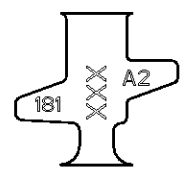


THIS DRAWING IS UNPUBLISHED. RELEASED FOR PUBLICATION 2009
 © COPYRIGHT 2009 - ALL RIGHTS RESERVED.

LOC	DIST	REVISIONS					
		P	LTR	DESCRIPTION	DATE	DWN	APVD
A1	-	D		E-10-013839	29JUN2010	Kirs	Brun
		D1		PN 5- -1 ADDED (ECR-11-000520)	08DEC2010	Abr	Brun
		D2		NEW ProE DRAWING (ECR-11-009831)	24OCT2011	Abr	Brun
		D3		LP Variants removed. ECR-13-015135	27SEP2013	Abr	Brun



- NOTES
Bemerkungen
- DATE CODE (WEEK/YEAR E.G. WEEK NUMBER 18/ YEAR 2011 AND TE REVISION (E.G. REV.A)
Datumscode (Woche/Jahr z.B. KW 18/ Jahr 2011) und TE Revision (z.B.Rev. A)
 - SUITABLE FOR PIN CONTACT SEE DRAWING: TE: 929453
Passend zu Stiftkontakt siehe Zeichnung: TE: 929453
 - FOR FLR-CONDUCTOR ACCORDING TO DIN 72551-6 ONLY
Nur fuer FLR-Leitung nach DIN 72551, Teil 6
 - DETAILS OF DESIGN ARE LEFT TO MANUFACTURER
Einzelheiten der Ausfuehrung bleiben dem Hersteller ueberlassen
- △5 SELECTIVE GOLD PLATED
Selektiv vergoldet
- △6 NOT FOR NEW APPLICATION
nicht fuer Neuanwendung



ORDER NO. DESIGN BESTELL-NR. Ausfuehrung	REV.	ORDER NO. DESIGN BESTELL-NR. Ausfuehrung	REV.	DGB WIRE-SIZE-RANGE mm ²	SURFACE CONTACT AREA OBERFLAECHE Kontaktzone	LENGTH Laenge	WIRE CRIMP Drahtcrimp	INSU. CRIMP Iso' crimp	WEIGHT Gewicht g
5-1452013-1	A	1452013-1	C	0.5-0.75	Au	A= 2.8 B= 3.8 C= 5.6 D= 15.6	E= 2 G= 2.1 D _{Dr} = 1	H= 2.7 K= 2.9 L= 0.7 D _{Iso} = 1.6	0.13
5-968893-1	A	968893-1	D	0.2-0.35	Au	A= 2.5 B= 3.6 C= 5.6 D= 15.6	E= 1.8 G= 1.8 D _{Dr} = 0.8	H= 2.3 K= 2.3 L= 0.6 D _{Iso} = 1.4	0.13
DIMENSIONS/ Abmessungen mm									

THIS DRAWING IS A CONTROLLED DOCUMENT.

DWN: S. Garcia 15AUG2000
 CHK: R. Jetter 15AUG2000
 APVD: -

PRODUCT SPEC: 108-18030
 APPLICATION SPEC: 114-18021
 WEIGHT: -

NAME: Micro Quadlok System SOCKET CONTACT WITH SHORT CIRCUIT AREA Buchsenkontakt mit Kurzschlussfederbereich

SIZE: A2 CAGE CODE: 00779 DRAWING NO: C-1355983 RESTRICTED TO: -

CUSTOMER DRAWING SCALE 10:1 SHEET 1 OF 1 REV D3