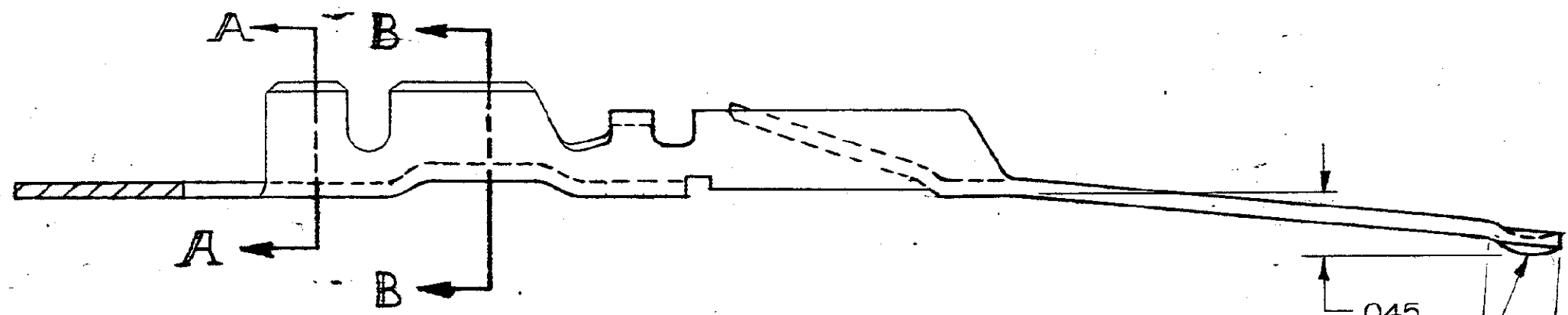
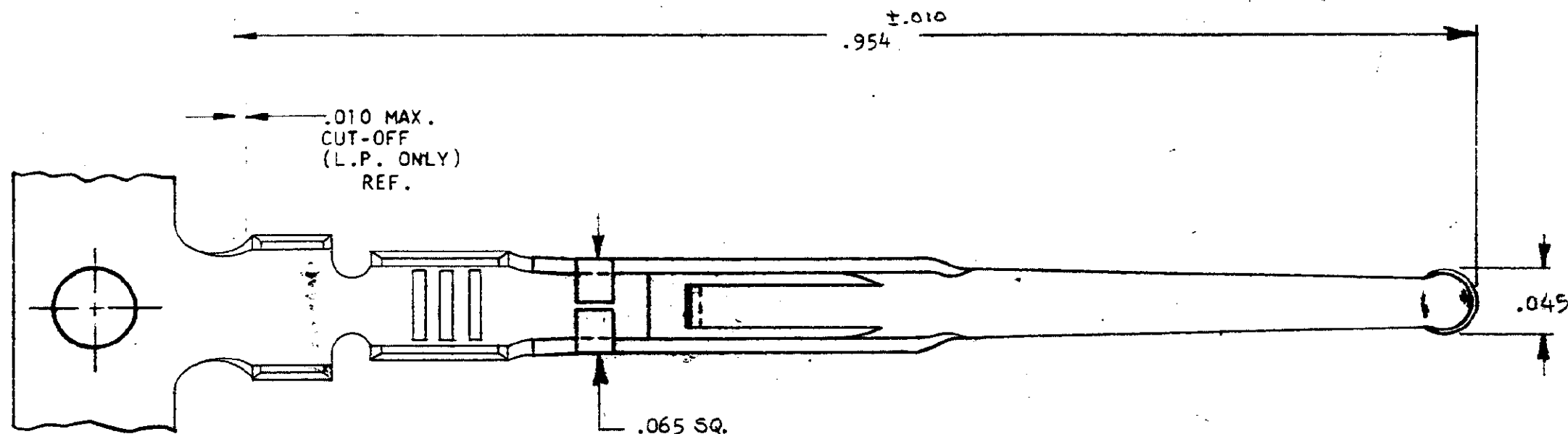


DRAWING MADE IN THIRD ANGLE PROJECTION

© COPYRIGHT AMP INCORPORATED, HARRISBURG, PA. ALL INTERNATIONAL RIGHTS RESERVED. AMP INCORPORATED PRODUCTS COVERED BY U.S. PATENTS AND/OR PATENTS PENDING.

LOC R DIST 39

REVISIONS				
REV	DATE	DESCRIPTION	DATE	APPROVED
Q	10-4-83	RELEASED WAS 5098-25	10-4-83	MPH
A	8-6-85	REV. PER ECN R-1387	8-6-85	MPH
B	1-14-87	REV. PER ECN R-2586	1-14-87	MPH
C	1-21-87	OBsolete -4, -5, & -6 / ECN R-2520	1-21-87	MPH

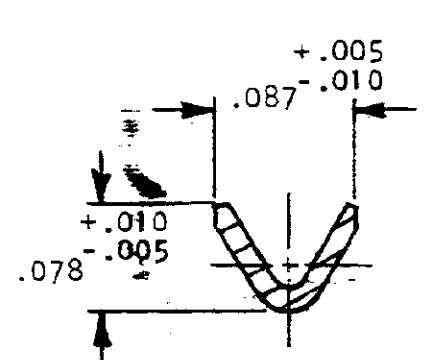


- 66750 -2 1. AS SHOWN  $\triangle$
- 3 1. SAME AS -2 EXCEPT:  
2. LOOSE PIECE
- OBsolete 1. SAME AS -2 EXCEPT:  
2. REVERSE REEL
- OBsolete 1. SAME AS -2 EXCEPT  $\triangle$
- OBsolete 1. SAME AS -5 EXCEPT:  
2. LOOSE PIECE

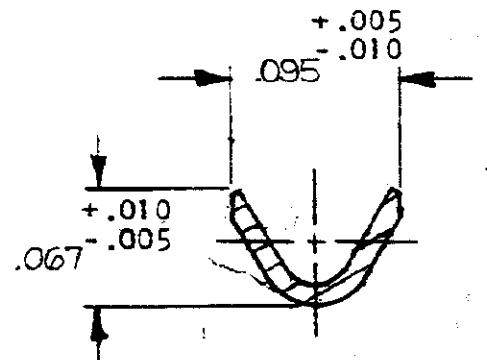
.050 MIN. SELECTIVE GOLD PLATE AREA, CONTACT SIDE ONLY.

PLATING THICKNESS MEASUREMENT POINT

- $\triangle$  SELECTIVELY PLATE GOLD PER MIL-G-45204 OVER NICKEL PER QQ-N-290.
- $\triangle$  SELECTIVELY PLATE .000050 GOLD PER MIL-G-45204 OVER NICKEL PER QQ-N-290.
- 3. STOCK THICKNESS: .0126+.0005
- 4. MAX INSULATION DIA.: .049 WHEN CONTACT IS LOADED IN STANDARD CR SERIES CAVITY.



SECTION B-B



SECTION A-A

UNLESS OTHERWISE SPECIFIED DIMENSIONS ARE IN INCHES. TOLERANCES ON: DECIMALS $\pm$ .005 ANGLES $\pm$ $\pm$		CONTRACT NO DR EQ Engrd 6-50-80		PART NO	
MATERIAL COPPER ALLOY PER QQ-B-750		CHK 10-18-83 APPD Tony G. Lawrence 10/18/83		AMP INCORPORATED Harrisburg, Pa.	
FINISH SEE DASH NO'S.		APPR 10/21/83		NAME CR ACTIVE CONTACT 24-20 AWG WIRE RANGE	
		DSGN APPD		SIZE CODE IDENT NO DRAWING NO C 00779 66750	
		OTHER APPD		SCALE NTS SHEET 1 OF 1	

66750