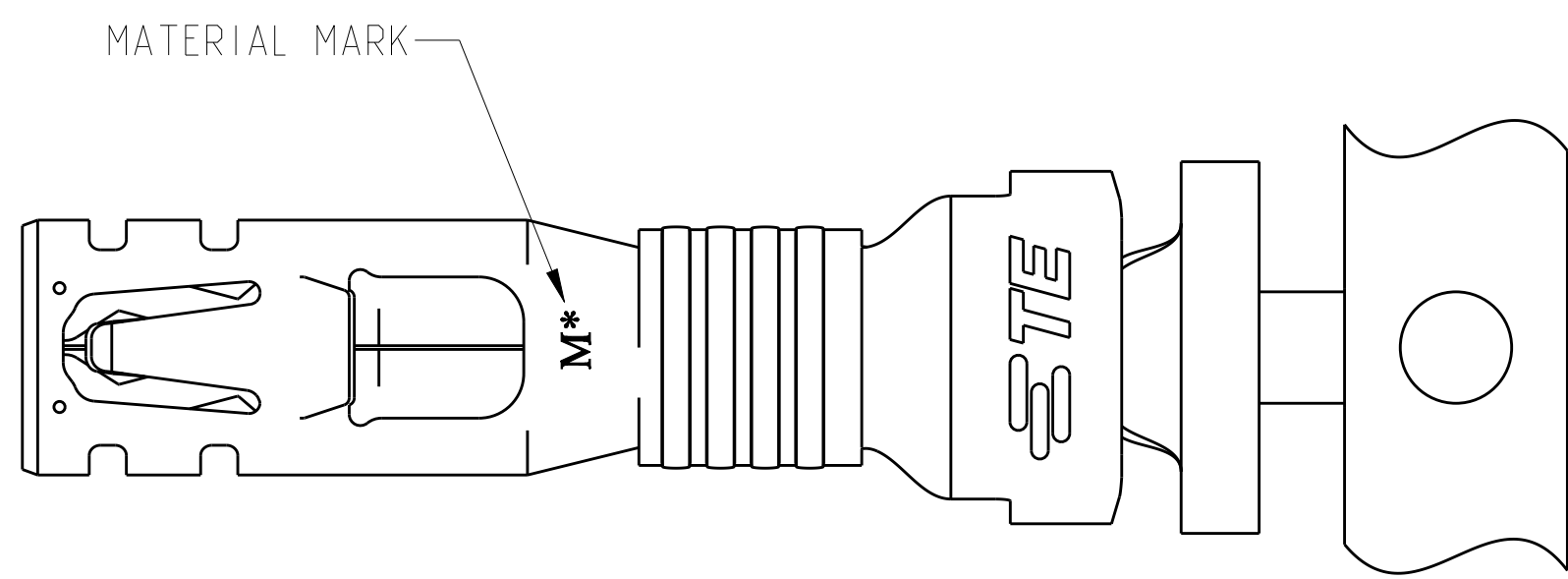
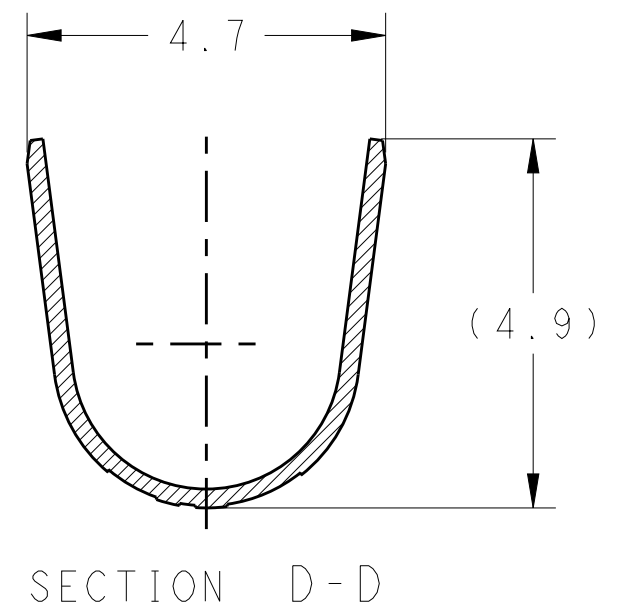
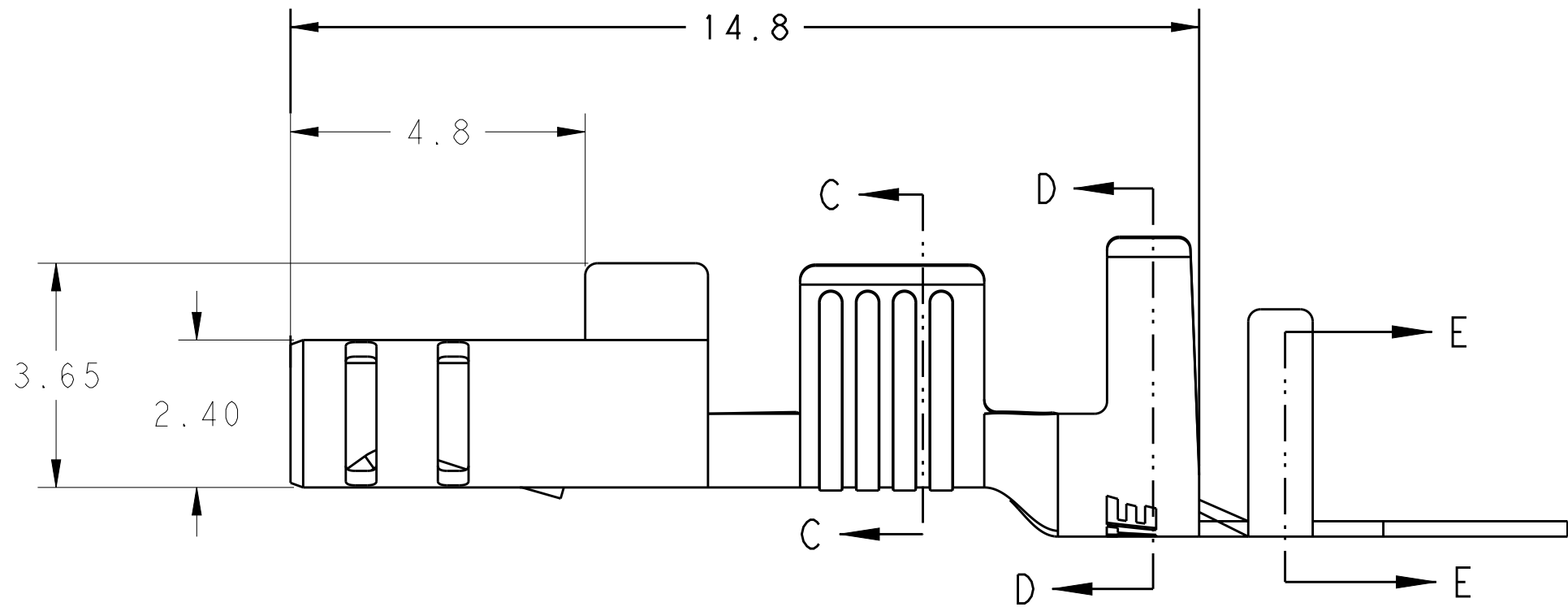
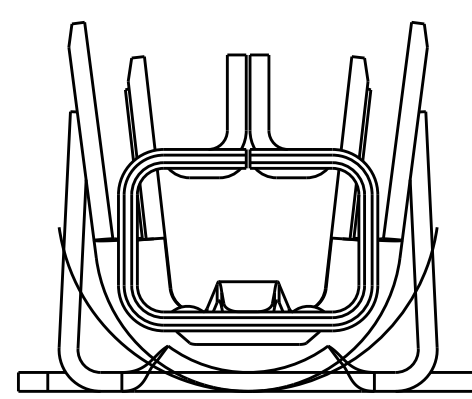
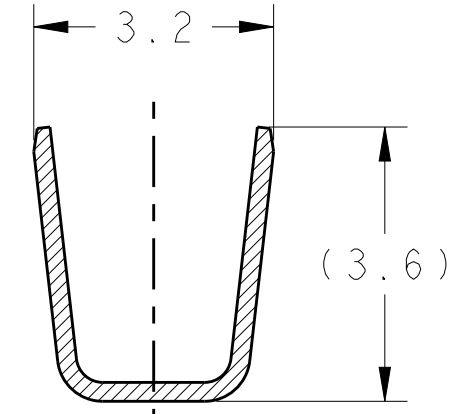
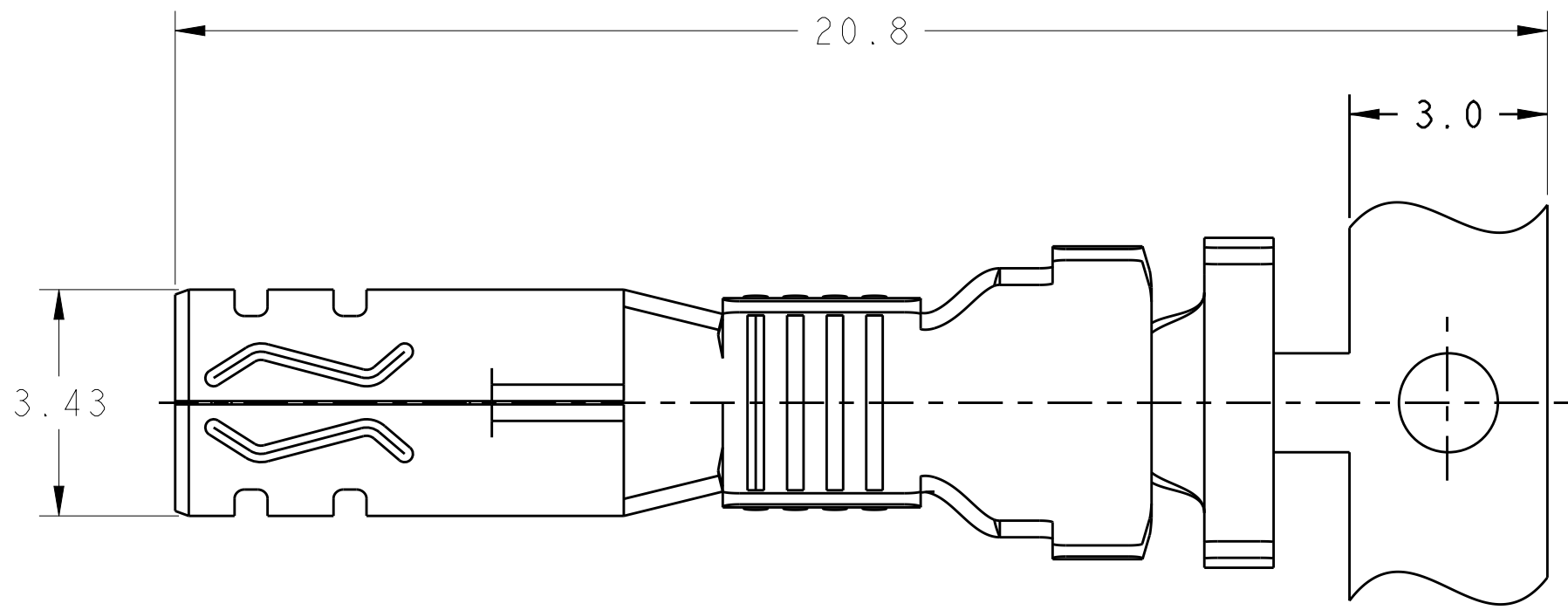
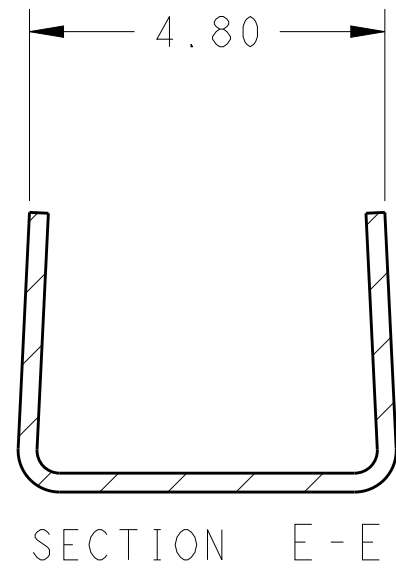


THIS DRAWING IS UNPUBLISHED. RELEASED FOR PUBLICATION 20
 © COPYRIGHT 20 BY - ALL RIGHTS RESERVED.

LOC	DIST	REVISIONS					
ES	00	P	LTR	DESCRIPTION	DATE	DWN	APVD
		C		REVISED PER ECO-16-013278	09SEP2016	RS	GJ



1. APPLICABLE WIRE: 14AWG COPPER STRANDED
2. APPLICABLE INSULATION DIAMETER: 3.40~3.70mm,
3. APPLICABLE MATED PLUG HOUSING P/N:
 -1971773-/*-1971776-*/*-1971876-*/
 -2232265-/*-2232266-*/*-2232357-*

4. THIS PRODUCT HAS NOT COMPLETED VALIDATION TESTING.

MATERIAL	TEMP. RATING	MATERIAL MARK	PART NO
COPPER ALLOY	HIGH(150°C)	M0	1971781-2
PHOS BRONZE	STANDARD(105°C)	M1	1971781-1

THIS DRAWING IS A CONTROLLED DOCUMENT.		DWN	11 JUL 2012	
		CHK	11 JUL 2012	
		APVD	11 JUL 2012	
		NAME	YUZHONG MAO	
DIMENSIONS: mm		PRODUCT SPEC	108-106118	
TOLERANCES UNLESS OTHERWISE SPECIFIED:		APPLICATION SPEC	114-106118	
0 PLC ±		WEIGHT	-	
1 PLC ±0.5		SCALE	6:1	
2 PLC ±0.30		SHEET	1 OF 1	
3 PLC ±		REV	C	
4 PLC ±		Customer Drawing		
ANGLES ±		STE TE Connectivity		
FINISH PRE-TIN		RECEPTACLE CONTACT POWER TRIPLE LOCK		
MATERIAL SEE TABLE		SIZE	A2 00779 C-1971781	
		RESTRICTED TO		