

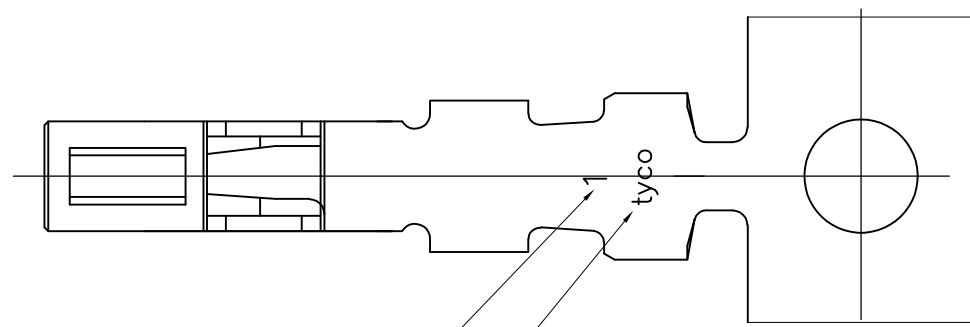
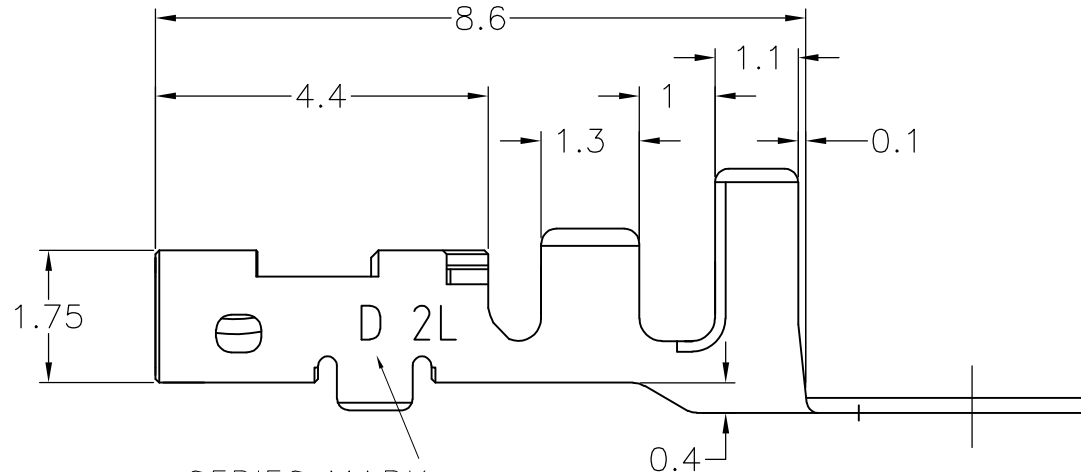
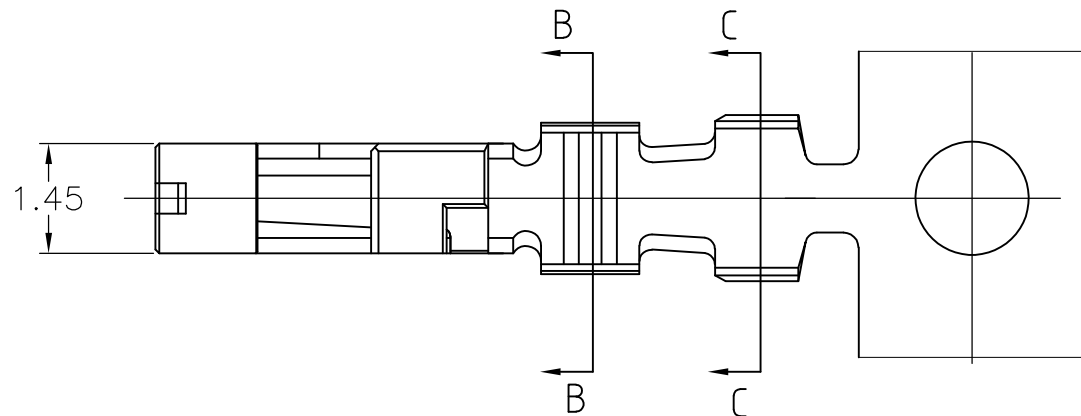
THIS DRAWING IS UNPUBLISHED.

RELEASED FOR PUBLICATION

ALL RIGHTS RESERVED.

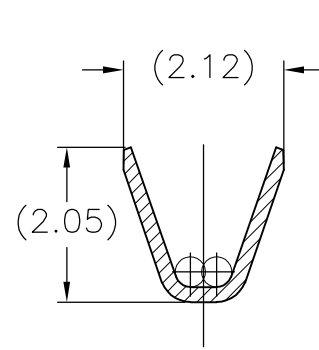
© COPYRIGHT - By -

LOC	DIST	REVISIONS					
		P	LTR	DESCRIPTION	DATE	DWN	APVD
J	-	D		REVISED PER ECR-15-011723	08AUG2015	Y.O	E.T

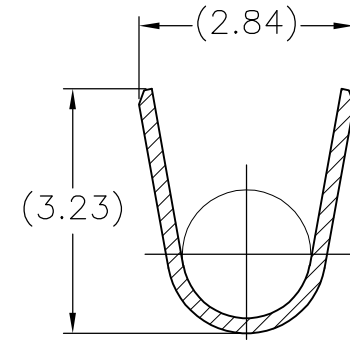


TOOLING ID MARK

TRADE MARK




断面 B-B SECT.



断面 C-C SECT.

1. APPLICATION REC HSG IS APPLIED TO THE PRODUCT OF 2.5mm PITCH OR MORE OF DYNAMIC D1000 SERIES. 2.0mm PITCH CANNOT BE USED.

AWG#22~#18 0.34~0.86mm ²	φ 1.4~φ 2.2	ALL OVER : NICKEL PLATING 1.27μm MIN CONTACT AREA : GOLD PLATING 0.38μm MIN OVER NICKEL 全面 : ニッケル下地めっき1.27μm以上 接点部 : ニッケル下地めっきの上に金めっき0.38μm以上	COPPER ALLOY 銅合金	1827572-2																		
WIRE RANGE 导体断面積	INSULATION DIA 被覆外径	FINISH 仕上	MATERIAL 材料	PART NO 型番																		
THIS DRAWING IS A CONTROLLED DOCUMENT.		DWN T.KUDO 04MAR2005	 TE Connectivity																			
DIMENSIONS: 単位: 耗 mm		CHK D.MITSUGI 04MAR2005																				
TOLERANCES UNLESS OTHERWISE SPECIFIED: 一般公差		APVD D.MITSUGI 04MAR2005	NAME 名称																			
<table border="1"> <tr><td>0</td><td>PLC</td><td>± 0.3</td></tr> <tr><td>1</td><td>PLC</td><td>±</td></tr> <tr><td>2</td><td>PLC</td><td>±</td></tr> <tr><td>3</td><td>PLC</td><td>±</td></tr> <tr><td>4</td><td>PLC</td><td>±</td></tr> <tr><td colspan="2">ANGLES</td><td>± 3deg</td></tr> </table>		0	PLC	± 0.3	1	PLC	±	2	PLC	±	3	PLC	±	4	PLC	±	ANGLES		± 3deg	PRODUCT SPEC 製品規格 108-78268	DYNAMIC D1000 SERIES REC CONTACT (2L TYPE) REEL	
0	PLC	± 0.3																				
1	PLC	±																				
2	PLC	±																				
3	PLC	±																				
4	PLC	±																				
ANGLES		± 3deg																				
MATERIAL 材料		APPLICATION SPEC 取付適用規格 114-5377	SIZE A3	CAGE CODE 00779																		
		WEIGHT 0	DRAWING NO 番号 C-1827572	RESTRICTED TO —																		
CUSTOMER DRAWING			SCALE 尺度 10:1	SHEET 1 OF 1																		
			REV D																			