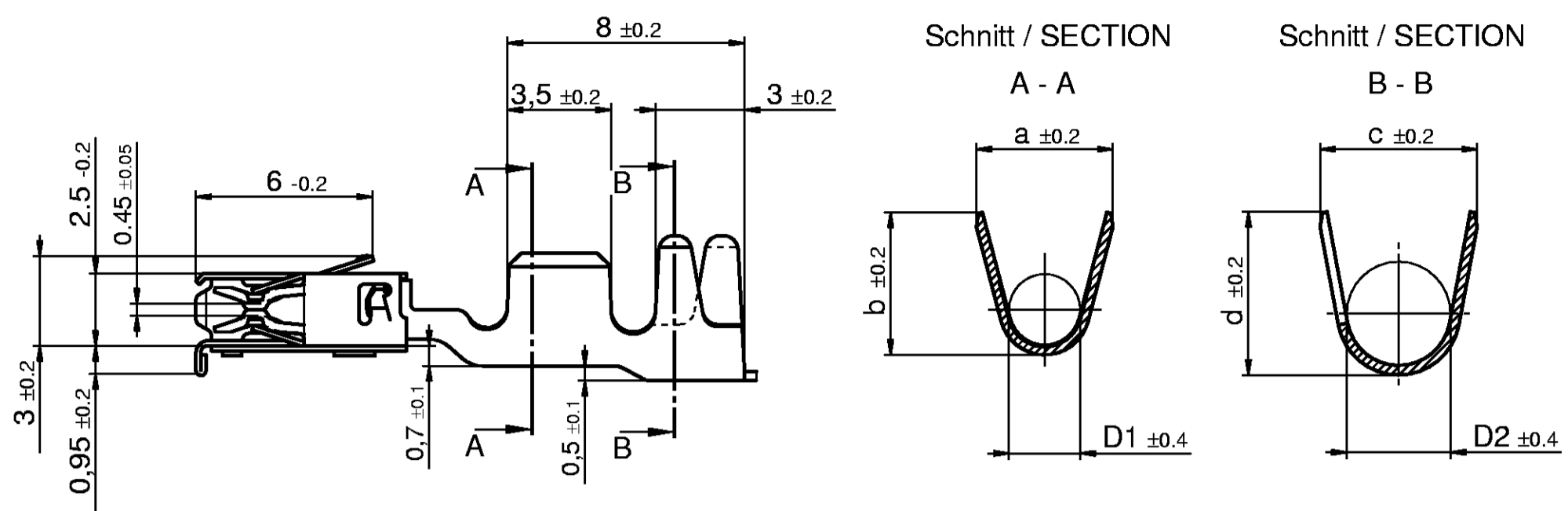
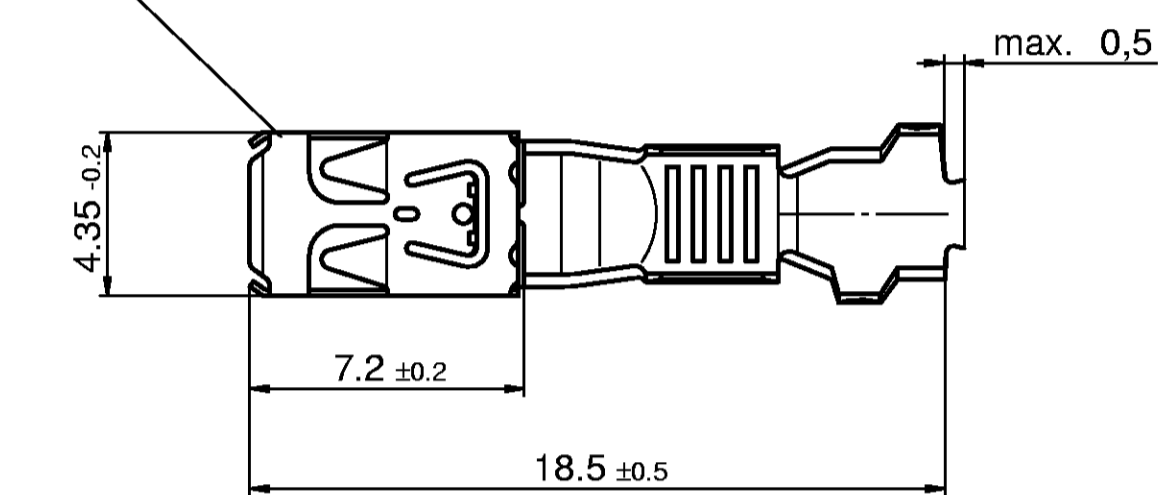


### ELO-Power 2.8 Ausführung / VERSION A

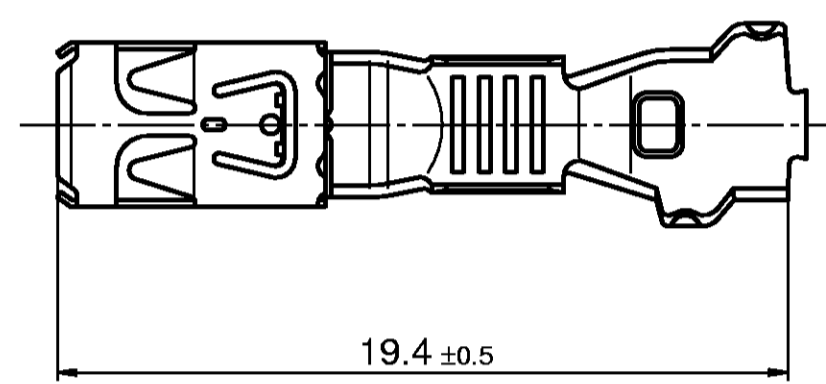
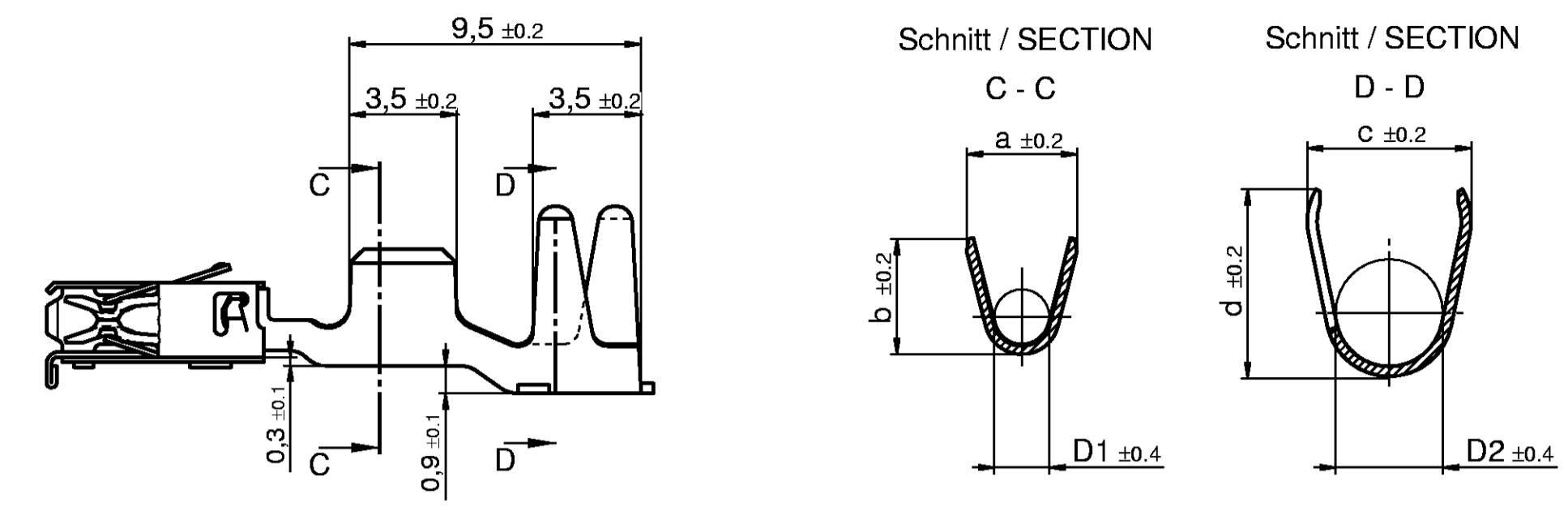


Werkstoff Rasthülse  
MATERIAL LOCKING SLEEVE  
X12CrNi177

Werkstoff Buchsenkörper  
MATERIAL SOCKET BODY  
CuCrSiTi alternativ CuNi2Si



### ELO-Power 2.8 SEAL Ausführung / VERSION B



fehlende Maße, Ansichten u. Werkstoffe siehe Ausführung A  
MISSING DIMENSIONS, VIEWS AND MATERIAL SEE VERSION A

Oberfläche / SURFACE
2 ±1µm Sn feuerverzinkt / HOT-DIP TINNED

LOC	DIST	REV	DESCRIPTION	DATE	DWN	APPR
A1	-	A	NEW DRAWING CREATED / Zeichnung neu erstellt	10.10.01	Abr	-
		A1	Material Buchsenkörper geändert MATERIAL SOCKET BODY CHANGED	25.02.02	Abr	-

### Anschlagwerkzeuge / CRIMPING TOOLS

ELO-POWER 2.8		
Leitungsquerschnitt CONDUCTOR SIZE	Siemens-Nr. SIEMENS-NO.	Tyco-Nr. TYCO-NO.
0,35 - 0,5	V23599-E5004-C50	9-0541105-X
0,75 - 1,0	V23599-E5004-C51	9-0541106-X
1,5 - 2,5	V23599-E5004-C52	9-0541107-X

ELO-POWER 2.8 SEAL		
Leitungsquerschnitt CONDUCTOR SIZE	Siemens-Nr. SIEMENS-NO.	Tyco-Nr. TYCO-NO.
0,35 - 0,5	V23599-E5004-C53	
0,75 - 1,0	V23599-E5004-C54	9-0541108-X
1,5 - 2,5	V23599-E5004-C55	9-0541109-X

Siemens Bestell-Nr. SIEMENS ORDER-NO.	Tyco-Nr. alt TYCO-NO. OLD	Tyco-Nr. neu TYCO-NO. NEW	Rev.	Ausführung TYPE	FLR-Leitung FLR-CABLE	Oberfläche SURFACE	a	b	D1	c	d	D2	Gewicht WEIGHT
V23540-B6000-Y25		0-1411589-1	A	X	1,5 - 2,5	Sn	3.6	3.8	1.8	5.7	6.1	3.5	0,8 g
V23540-B6000-Y23		0-1411588-1	A	X	0,75 - 1,0	Sn	2.6	2.8	1.2	5.7	6.1	3.5	0,8 g
V23540-B6000-Y21				X	0,35 - 0,5	Sn	2.4	2.5	1.0	5.7	6.1	3.5	0,8 g
V23540-B6000-Y15	0-1393418-4	0-1411592-1	A	X	1,5 - 2,5	Sn	3.6	3.8	1.8	4.4	4.6	2.6	0,8 g
V23540-B6000-Y13	0-1393418-3	0-1411591-1	A	X	0,75 - 1,0	Sn	2.6	2.8	1.2	3.6	3.9	1.8	0,8 g
V23540-B6000-Y11	0-1393418-2	0-1411590-1	A	X	0,35 - 0,5	Sn	2.4	2.5	1.0	3.1	3.1	1.6	0,8 g

Befettung: Schutzfilm Optimol, 10% Lösung in Testbenzin  
DIP GREASED WITH OPTIMOL, 10% SOLUTION IN ALCOHOL

Längen und Winkel: DIN7168-m  
Form und Lage: DIN ISO 2768-mH  
LENGTH AND ANGLES: DIN7168-m  
FORM AND POSITION: DIN ISO 2768-mH

<small>THIS DRAWING IS A CONTROLLED DOCUMENT AND ANY REVISIONS TO IT SHOULD BE CHANGED AND THE CONTRACTING ENGINEER'S OFFICE SHOULD BE CONTACTED FOR THE LATEST REVISIONS. THIS DRAWING IS UNLESS SHOWN OTHERWISE TO BE CONSIDERED AS A PRELIMINARY DRAWING. IT IS SUBJECT TO CHANGE AND THE CONTRACTING ENGINEER'S OFFICE SHOULD BE CONTACTED FOR THE LATEST REVISIONS.</small>		DWN: Abraham.G. 10.10.01 CHK: Göppel.Ch. 10.10.01 ZUS: Bleicher.M. 10.10.01	tyco Electronics AMP GmbH D - 64625 Bensheim
DIMENSIONS: <b>M10</b> TOLERANCES UNLESS OTHERWISE SPECIFIED: ALL-GEMEINTOLERANZEN 0 PLC ±0.1 1 PLC ±0.2 2 PLC ±0.3 3 PLC ±0.4 4 PLC ±0.5 ANGLES / WINKEL ±0.0001		NAME: <b>ELO-POWER 2.8 x 0.63</b> Buchsenkontakt / SOCKET CONTACT	
MATERIAL: - FINISH / OBERFLÄCHE/FARBE: -		SCALE: 5/1 SHEET: 1 OF 1 REV: A1	RESTRICTED TO: NUR FÜR: