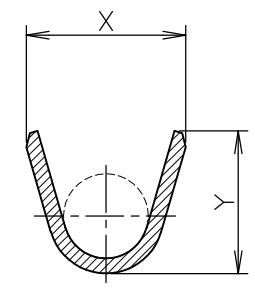


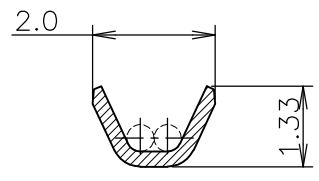
THIS DRAWING IS UNPUBLISHED. RELEASED FOR PUBLICATION DEC, 1998.
 © COPYRIGHT 1998 BY TYCO ELECTRONICS CORPORATION. ALL INTERNATIONAL RIGHTS RESERVED.

LOC	DIST	REVISIONS		
J	/	P	LTR	DESCRIPTION
		D		REVISED PER ECR-10-026389
				DATE
				06JAN11
				DWN
				TT
				APVD
				TM

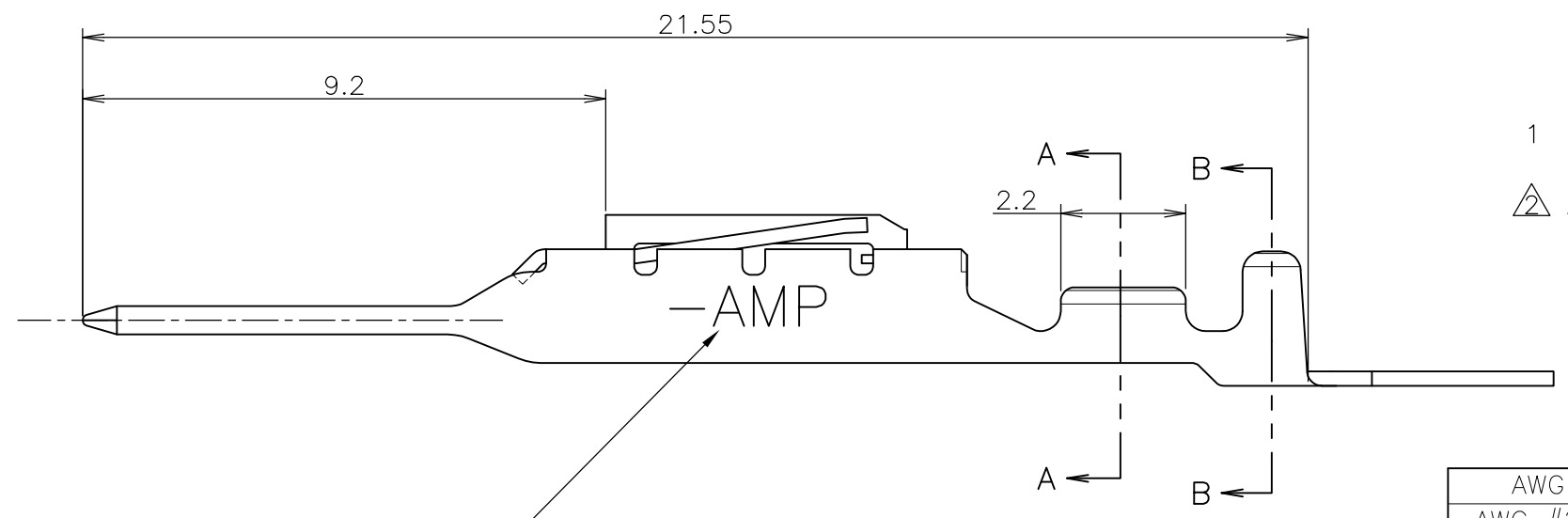
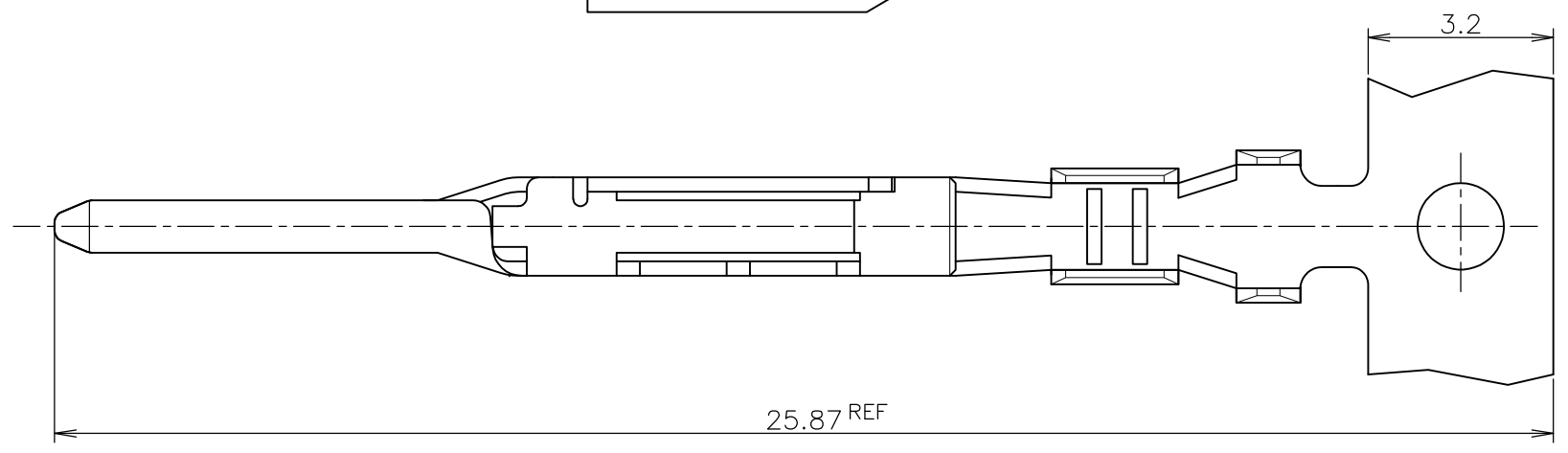
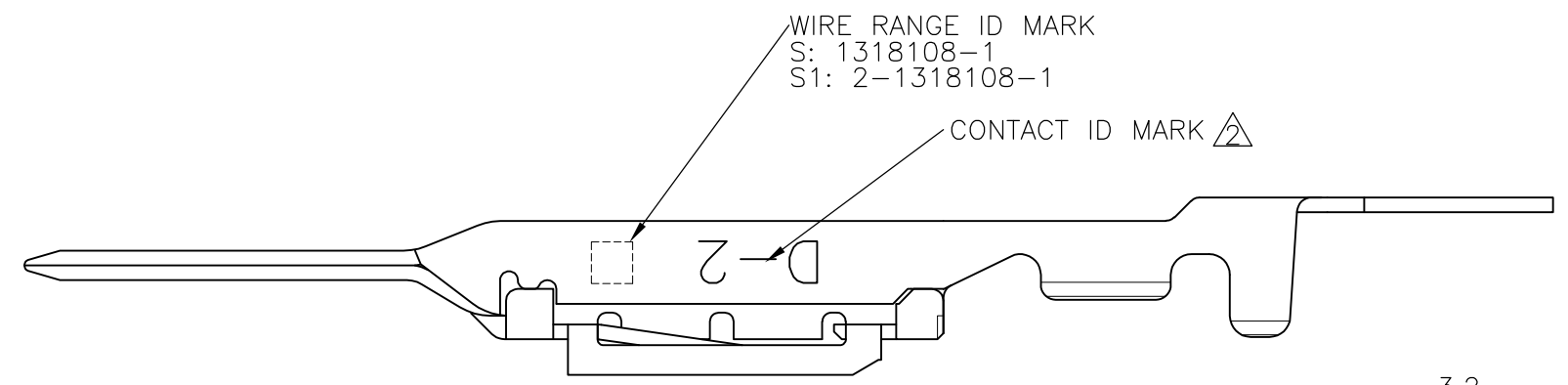
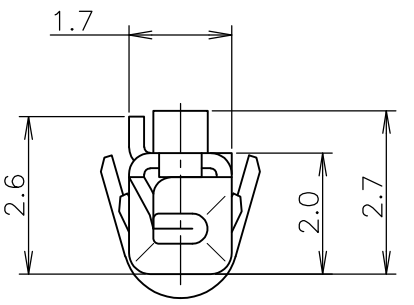
*- -1: AS SHOWN



B-B



A-A



1 FINISH (CONTACT AREA): 0.38um MIN GOLD PLATING OVER Ni PLATING
 △ APPLICABLE WIRE FOR THIS CONTACT IS UL1051 ONLY. (SEE 114-5258 AS DETAIL)

AWG #24 △	2.2~2.25	2.7	3.06	2-1318110-1
AWG #28~#24	0.88~1.5	2.36	2.63	1318110-1
WIRE RANGE 抱合電線断面積	INSULATION DIA 被覆外径 mmφ	Y	X	PART NUMBER 型番

THIS DRAWING IS A CONTROLLED DOCUMENT.		DWN K.IKEDA 07DEC1998	Tyco Electronics Corporation Kawasaki, Japan	
DIMENSIONS: 単位: 耗 mm		CHK N.MATSUBARA 07DEC1998	NAME I.HASEGAWA 07DEC1998	
TOLERANCES UNLESS OTHERWISE SPECIFIED: 一般公差		PRODUCT SPEC 製品規格 108-5619		
0 PLC ±		APPLICATION SPEC 取付適用規格 114-5258		
1 PLC ± 0.4		SIZE A3	CAGE CODE 00779	DRAWING NO 番号 G-1318110
2 PLC ±		RESTRICTED TO		
3 PLC ±		-		
4 PLC ±		SCALE 尺度 8:1		
ANGLES ±		SHEET 1 OF 1		
FINISH 仕上 注記参照 SEE NOTE		REV D		
MATERIAL 材料 銅合金 COPPER ALLOY		CUSTOMER DRAWING		