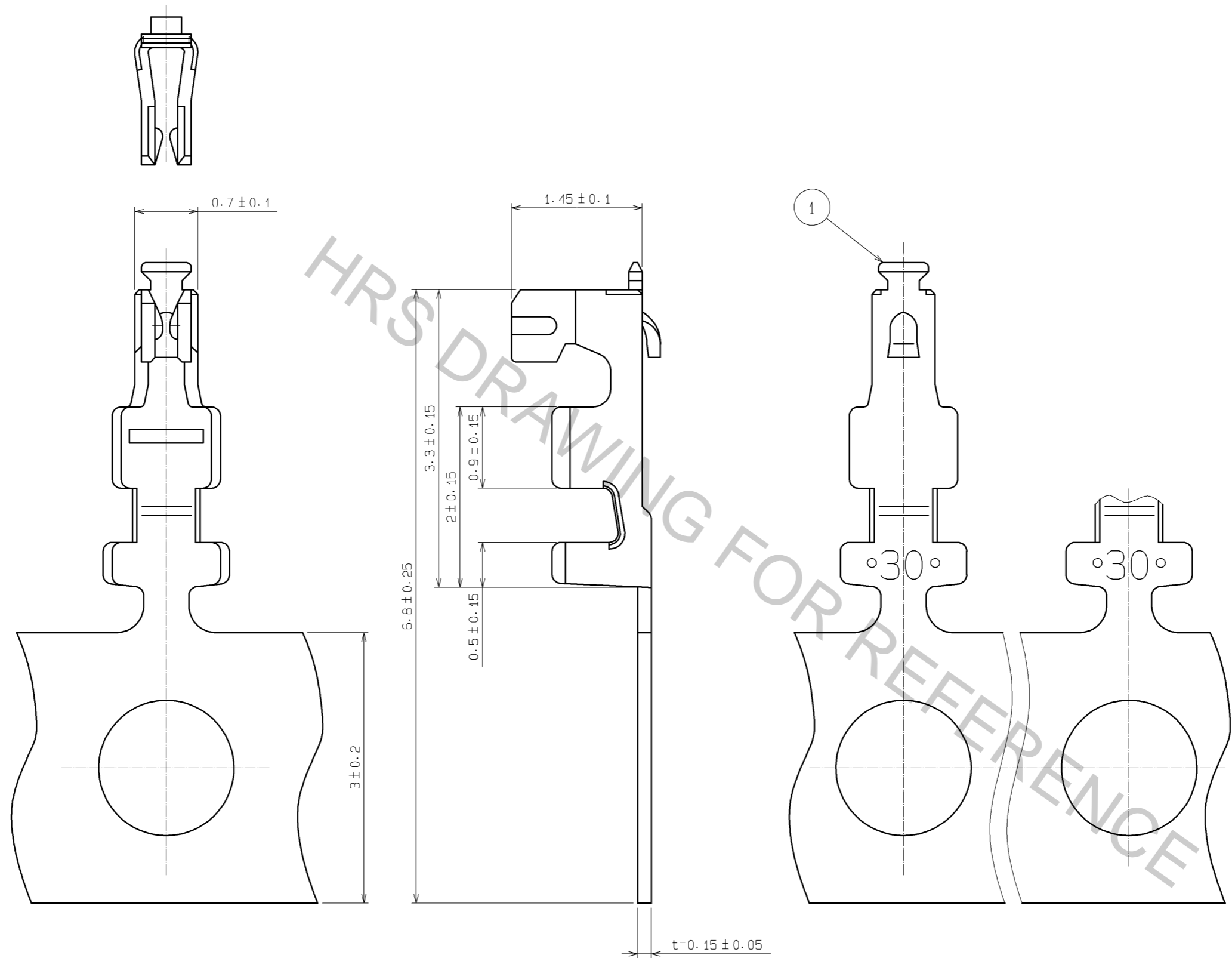


Apr.1.2017 Copyright 2017 HIROSE ELECTRIC CO., LTD. All Rights Reserved.



NOTE 1. PER REEL : 20000 CONTACTS.

1	PHOSPHOR BRONZE	CONTACT AREA: GOLD PLATED 0.2 μm MIN CARRIER AREA : TIN PLATED 1 μm MIN OTHERS: NICKEL PLATED 0.5 μm MIN
---	-----------------	--

NO.	MATERIAL	FINISH . REMARKS	NO.	MATERIAL	FINISH . REMARKS
UNITS mm		SCALE 20 : 1	COUNT 	DESCRIPTION OF REVISIONS	DESIGNED
HIROSE ELECTRIC CO., LTD.			APPROVED : KI. AKIYAMA	11. 09. 08	DRAWING NO. EDC3-164279-01
			CHECKED : HK. UMEHARA	11. 09. 08	PART NO. DF20F-3032SCFA(44)
			DESIGNED : TH. YOSHIZAWA	11. 09. 08	CODE NO. CL686-0043-9-44
			DRAWN : KY. SHIMAKURA	11. 09. 08	1/1