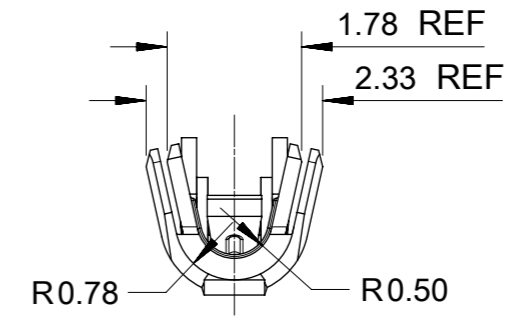
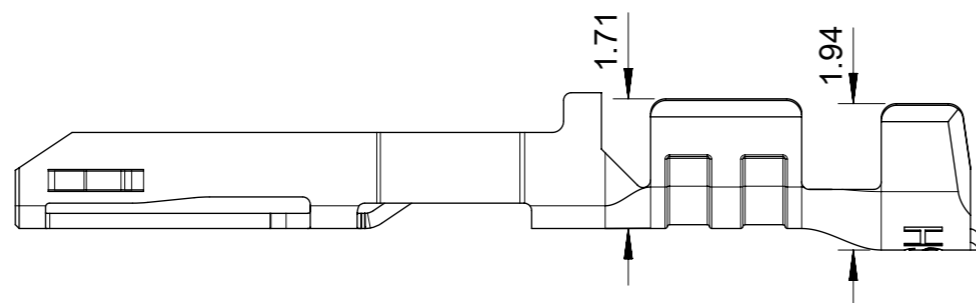


**NOTES:**

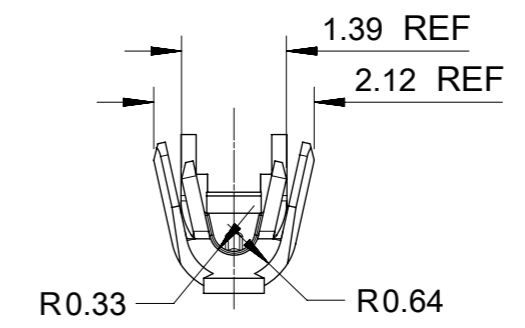
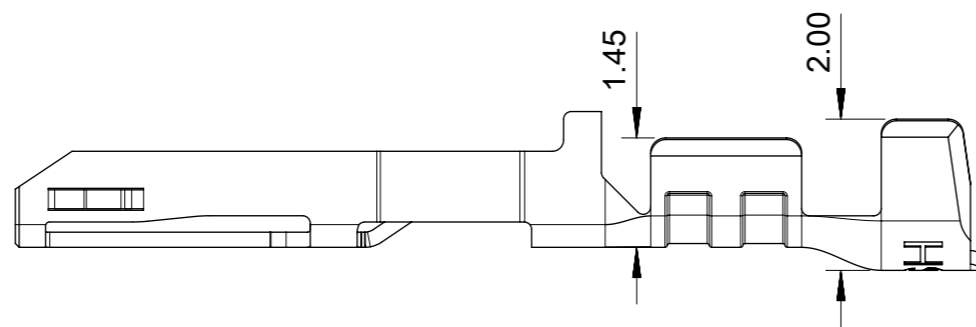
1. MATERIAL: HIGH CONDUCTIVITY COPPER ALLOY.
2. PLATING FINISH SEE CHART IN SHEET 3.
3. PRODUCT SPECIFICATION: PS-105300-100.
4. PACKAGE SPECIFICATION: PK-105300-100.
5. THE COMPONENT COMPLIANT TO RoHS DIRECTIVE 2011/65/EU AND ELV DIRECTIVE 2000/53/EC.
6. PRODUCT APPLY TO RECEPTACLE HOUSING OF 105307-\*\*\*\* AND 105308-\*\*\*\*.
7. PARTS CONFORM TO CLASS 'B' REQUIREMENTS OF COSMETIC SPECIFICATION PS-45499-002.
8. APPLICATION SPECIFICATION: AS-105300-100.
9. RECOMMENDED INSULATOR:  
 20AWG WIRE, OD 1.60MM MAX.  
 24AWG WIRE, OD 1.30MM MAX.

THIS DRAWING CONTAINS INFORMATION THAT IS PROPRIETARY TO MOLEX ELECTRONIC TECHNOLOGIES, LLC AND SHOULD NOT BE USED WITHOUT WRITTEN PERMISSION											
<b>QUALITY SYMBOLS</b> 	2016/03/30	2016/04/26	GENERAL TOLERANCES (UNLESS SPECIFIED)		DIMENSION UNITS	SCALE					
	EC NO: 103921 DRWN: GLLI CHK'D: APPR: AYIN	REV: C	ANGULAR TOL ± 3.0 °		MM	10:1					
			4 PLACES ±	3 PLACES ±	DRWN BY: GLLI		DATE: 2015/03/18				
			2 PLACES ± 0.15	1 PLACE ± 0.20	CHK'D BY:		DATE:				
			0 PLACES ±	1 PLACE ± 0.20	AYIN	2015/04/08	PRODUCT CUSTOMER DRAWING				
			DRAFT WHERE APPLICABLE MUST REMAIN WITHIN DIMENSIONS		DRAWING SIZE	THIRD ANGLE PROJECTION	SERIES	MATERIAL NUMBER	CUSTOMER		
					A3		105300	SEE SHEET 3	GENERAL MARKET		
							DOCUMENT NUMBER		DOC TYPE	DOC PART	SHEET NUMBER
							SD-105300-100		PSD	000	1 OF 3

RELEASE STATUS	RELEASE DATE	07:06:44
----------------	--------------	----------

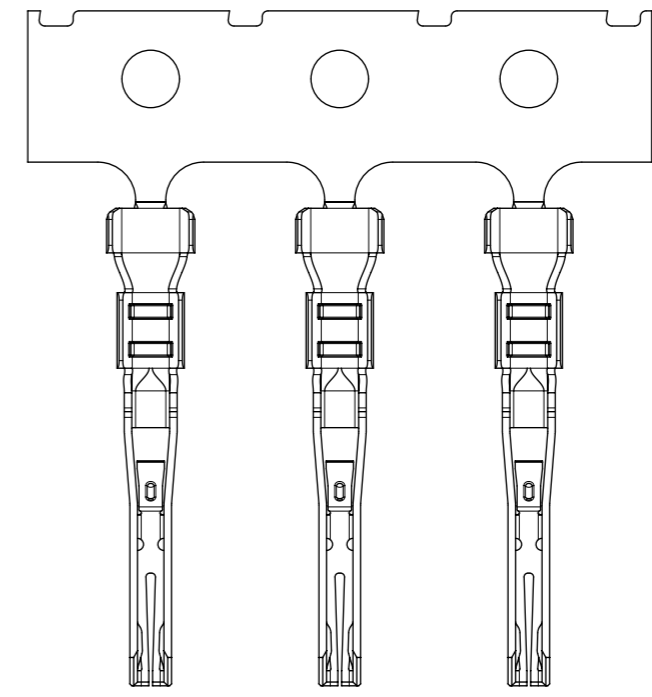
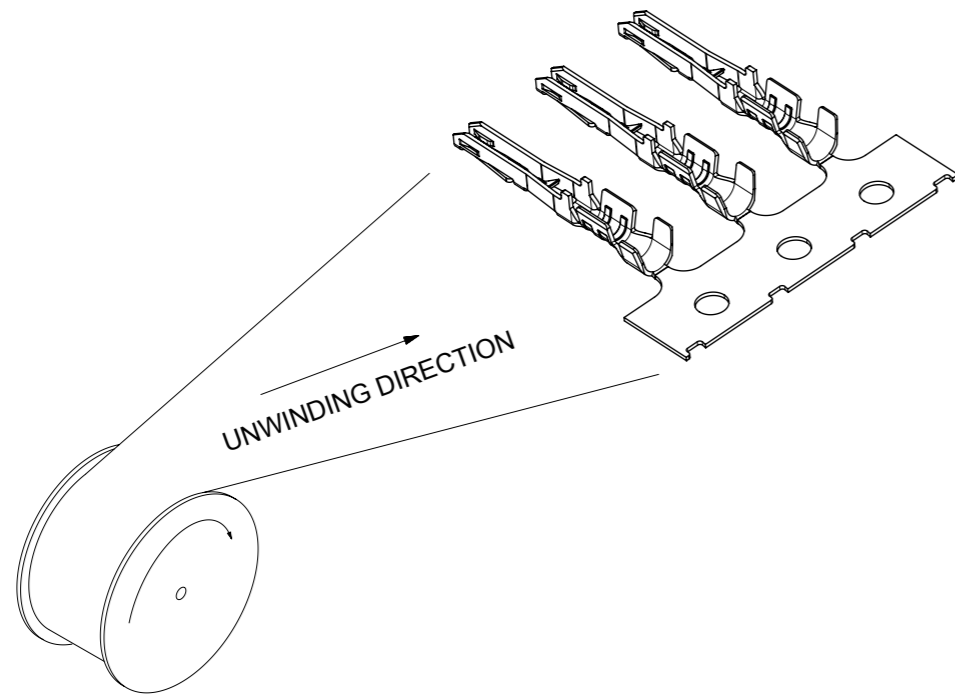


ONLY FOR WIRE OF AWG 20/22



ONLY FOR WIRE OF AWG 24/26

THIS DRAWING CONTAINS INFORMATION THAT IS PROPRIETARY TO MOLEX ELECTRONIC TECHNOLOGIES, LLC AND SHOULD NOT BE USED WITHOUT WRITTEN PERMISSION												
<b>QUALITY SYMBOLS</b> □ = 0 ▽ = 0 ▽ = 0 ▽ = 0 ▽ = 0 ▽ = 0 ▽ = 0 ▽ = 0 ▽ = 0 ▽ = 0 ▽ = 0	2016/03/30	2016/04/26	GENERAL TOLERANCES (UNLESS SPECIFIED)			DIMENSION UNITS	SCALE					
	2016/03/30	2016/04/26	ANGULAR TOL ± 3.0 °			MM	10:1					
	EC NO: 103921 DRWN: GLLI CHK'D: AYIN APPR: AYIN	C	REV	4 PLACES	±	DRAFT WHERE APPLICABLE MUST REMAIN WITHIN DIMENSIONS	DRWN BY	DATE	CRIMP TERMINAL FOR NANO-FIT RECEPTACLE POWER CONNECTOR  PRODUCT CUSTOMER DRAWING			
				3 PLACES	±		GLLI	2015/03/18				
				2 PLACES	± 0.15		CHK'D BY	DATE				
				1 PLACE	± 0.20		APPR BY	DATE				
				0 PLACES	±		AYIN	2015/04/08				
						DRAWING SIZE	THIRD ANGLE PROJECTION	SERIES: 105300    MATERIAL NUMBER: SEE SHEET 3    CUSTOMER: GENERAL MARKET				
						A3		DOCUMENT NUMBER: SD-105300-100    DOC TYPE: PSD    DOC PART: 000    SHEET NUMBER: 2 OF 3				



PART NUMBER	PLATING TYPE	WIRE SIZE(AWG)
TBD	A	24/26
105300-1200	B	
105300-1300	C	
TBD	A	20/22
105300-2200	B	
105300-2300	C	

PLATING SPECIFICATION	
A	REFLOW MATTE TIN 2.5 MICRONS MINIMUM OVERALL, UNDER NICKEL PLATING 1.25 MICRONS MINIMUM OVERALL.
B	GOLD PLATING 0.38 MICRONS MINIMUM ON CONTACT AREA, BRIGHT TIN 2.5 MICRONS MINIMUM ON CONTACT AREA, UNDER NICKEL PLATING 1.25 MICRONS MINIMUM OVERALL.
C	GOLD PLATING 0.76 MICRONS MINIMUM ON CONTACT AREA, BRIGHT TIN 2.5 MICRONS MINIMUM ON CONTACT AREA, UNDER NICKEL PLATING 1.25 MICRONS MINIMUM OVERALL.

<b>QUALITY SYMBOLS</b> 	THIS DRAWING CONTAINS INFORMATION THAT IS PROPRIETARY TO MOLEX ELECTRONIC TECHNOLOGIES, LLC AND SHOULD NOT BE USED WITHOUT WRITTEN PERMISSION										
	2016/03/30	2016/04/26	GENERAL TOLERANCES (UNLESS SPECIFIED)		DIMENSION UNITS	SCALE					
			ANGULAR TOL ± 3.0 °		MM	5:1					
	EC NO: 103921 DRWN: GLLI CHK'D: APPR: AYIN	4 PLACES	±	DRWN BY		DATE		CRIMP TERMINAL FOR NANO-FIT RECEPTACLE POWER CONNECTOR			
		3 PLACES	±	GLLI		2015/03/18					
		2 PLACES	± 0.15	CHK'D BY		DATE					
		1 PLACE	± 0.20	APPR BY		DATE					
		0 PLACES	±	AYIN		2015/04/08					
		DRAFT WHERE APPLICABLE MUST REMAIN WITHIN DIMENSIONS		DRAWING SIZE	THIRD ANGLE PROJECTION		PRODUCT CUSTOMER DRAWING				
				A3			SERIES	MATERIAL NUMBER	CUSTOMER		
						105300	SEE CHART	GENERAL MARKET			
						DOCUMENT NUMBER		DOC TYPE	DOC PART	SHEET NUMBER	
						SD-105300-100		PSD	000	3 OF 3	