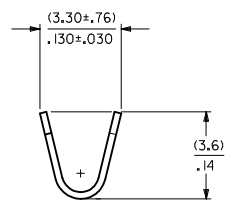
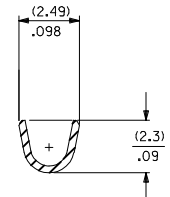
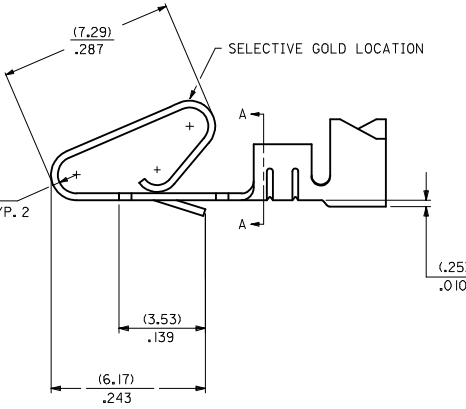
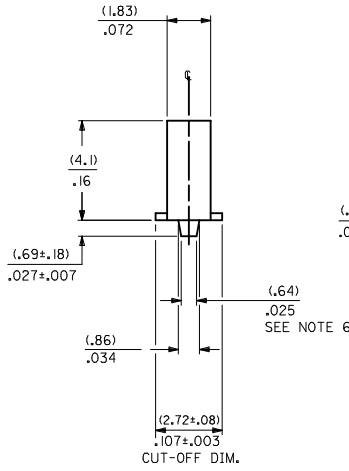


MATERIAL CODE
 (.27)/.0106 THK
 1=BRASS
 3=PHOS BRONZE

WINDING SPEC.
 A=CHAIN, PER WINDING DETAIL "A"
 BLANK=CHAIN, PER WINDING DETAIL "B"
 L=LOOSE

OPTION CODE
 BLANK=AS SHOWN
 C=CAT EAR OPTION

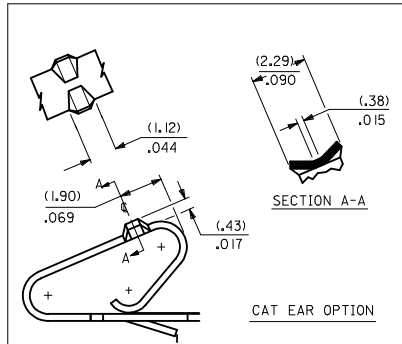
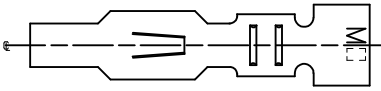
- FINISH:
- (P909) OVERALL HOT TIN DIP: (0.00254)/.000100 MIN.
 - (122) OVERALL TIN: (0.00381)/.000150 MIN.
OVER (0.00076)/.000030 MIN. NICKEL
 - (154) OVERALL TIN: (0.00254)/.000100 MIN.
OVER (0.00127)/.000050 MIN. NICKEL
 - (224) OVERALL MATTE TIN: (0.00508)/.000200 MIN.
OVER (0.00127)/.000050 MIN. NICKEL
 - (550) SELECT GOLD: (0.00038)/.000015 MIN.
OVERALL GOLD FLASH: (0.00005)/.000002 MIN.
OVERALL NICKEL UNDERPLATE: (0.00076)/.000030 MIN.
 - (555) SELECT GOLD: (0.00038)/.000015 MIN.
OVERALL NICKEL UNDERPLATE: (0.00076)/.000030 MIN.
 - (558) SELECT GOLD: (0.00076)/.000030 MIN.
OVERALL GOLD FLASH: (0.00005)/.000002 MIN.
OVERALL NICKEL UNDERPLATE: (0.00127)/.000050 MIN.
 - (561) SELECT GOLD: (0.00076)/.000030 MIN.
OVERALL NICKEL UNDERPLATE: (0.00127)/.000050 MIN.
 - (591) SELECT GOLD: (0.00127)/.000050 MIN.
OVERALL GOLD FLASH: (0.00005)/.000002 MIN.
OVERALL NICKEL UNDERPLATE: (0.00127)/.000050 MIN.



SECTION A-A
BACKGROUND OMITTED

BACKGROUND OMITTED

- NOTES:
1. MATERIAL: SEE LEGEND
 2. FINISH: SEE LEGEND
 3. THIS PART CONFORMS TO PRODUCT SPECIFICATION PS-08-50.
 4. PACKAGING SPECIFICATION: LOOSE TERMINALS: PER PK-2759-001
CHAIN FORM TERMINALS: NONE
 5. DIMENSIONS GIVEN ACROSS CENTERLINES ARE SYMMETRICAL ABOUT THOSE CENTERLINES WITHIN HALF THE TOTAL TOLERANCE.
 6. (0.86 ±0.05)/.034 ±.002 IS AN OPTIONAL DESIGN.
 7. CRIMP ACCEPTS 18 TO 24 AWG WIRE WITH (2.79)/.110 MAX. INSULATION DIAMETER. AND CAN ACCEPT (3.00)/.118 MAX. INSULATION DIAMETER WITH SPECIAL TOOLING.
 8. TERMINAL FOR USE IN 2139, 3001, 3069, AND 91813 SERIES HOUSINGS WITH (2.54)/.100 MAX. INSULATION DIAMETER, 2574, 6422, AND 5239 SERIES HOUSINGS WITH (2.79)/.110 MAX. INSULATION DIAMETER. AND 41695 SERIES HOUSING WITH (3.00)/.118 MAX. INSULATION DIAMETER.
 9. THIS PART CONFORMS TO CLASS B REQUIREMENTS OF COSMETIC SPECIFICATION PS-45499-002.



SECTION A-A

CAT EAR OPTION

ADD WINDING VIEWS EC NO. UCP2014-4131 DRAWN BY: DRANKIPPER CHECKED BY: CHYONGKUNEN APPROVED BY: FSMITH DATE: 2014/04/07 DATE: 2014/04/07 DATE: 2014/04/21	QUALITY SYMBOLS ∇=0 ∇=0 ∇=0	GENERAL TOLERANCES (UNLESS SPECIFIED)		DIMENSION STYLE MM/IN	SCALE 10:1	DESIGN UNITS INCH	THIRD ANGLE PROJECTION
		4 PLACES ±.010 ±.010 3 PLACES ±.025 ±.014 2 PLACES ±.036 ±.014 1 PLACE ±.069 ±.014 0 PLACE ±.127 ±.014	DRAWN BY: SAMIEC DATE: 06/03/86 CHECKED BY: PATEL DATE: 06/03/86 APPROVED BY: FSMITH DATE: 2012/03/20	MATERIAL NO. SEE CHART	DOCUMENT NO. SD-2478	SHEET NO. 1 OF 2	
		THIS DRAWING CONTAINS INFORMATION THAT IS PROPRIETARY TO MOLEX INCORPORATED AND SHOULD NOT BE USED WITHOUT WRITTEN PERMISSION					

