

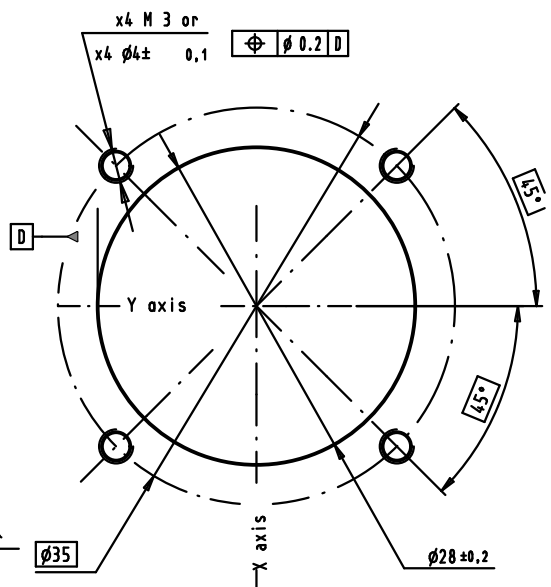
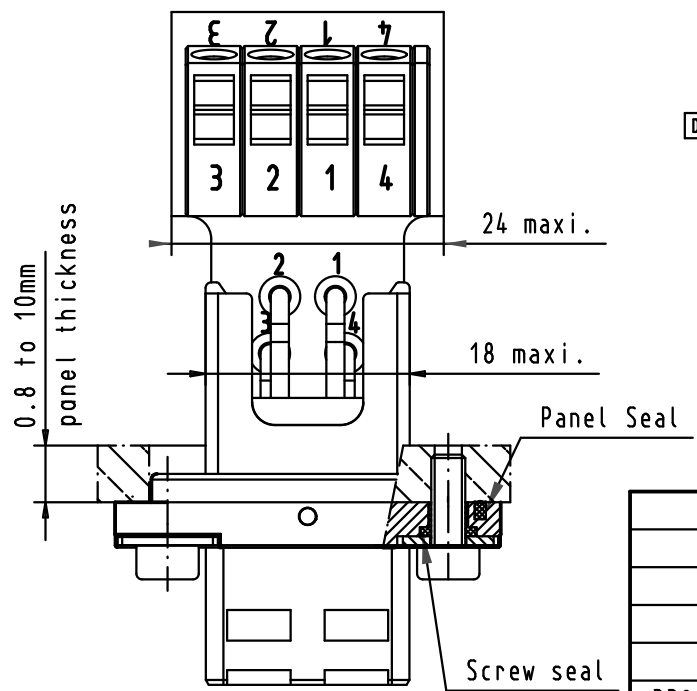
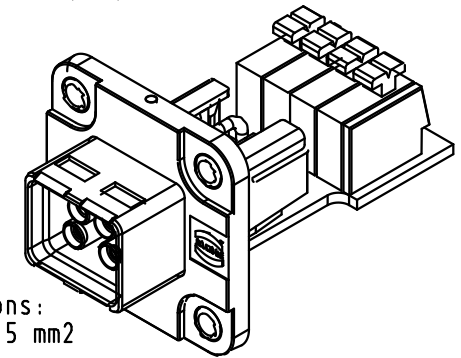
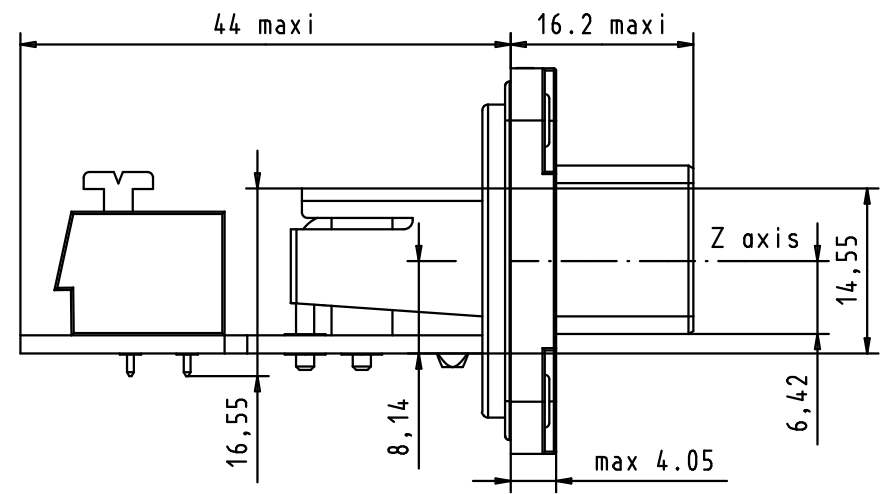
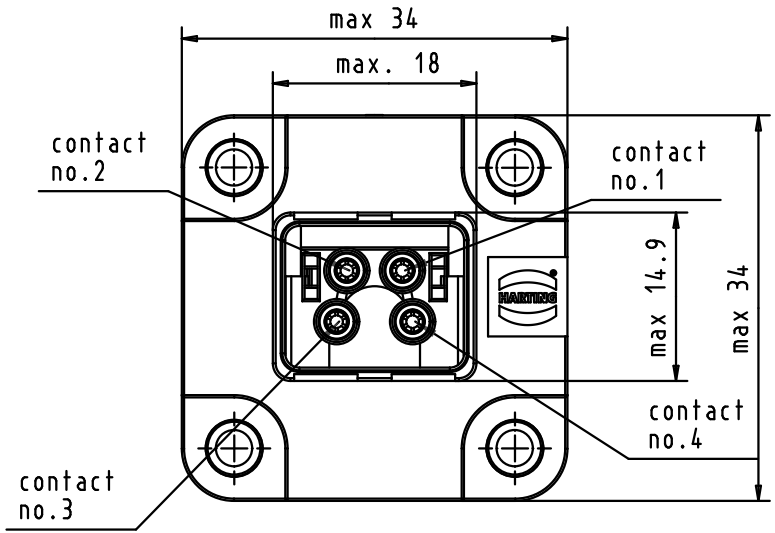
1 2 3 4 5 6

A

B

C

D



cage clamp connections:
x4 stranded wires 1,5 mm²
connectors pitch on panel = 35mm
Receptacle mating face according to IEC 61076-3-106 variant 04
Screwing by 4x M3 screws and washer
Screwing torque 0.5 N.m

			Dot.	Name	<p>All Dim. in mm Orig. Size DIN A 4</p>	<p><i>push pull power easy install</i> IP67 PANEL FEED THROUGH 12A-48V WITH PC-BOARD AND CAGE CLAMP</p>	Moßstab/ Scale	
			Detail.	01/03/07			BD	3:2
			Insp.					
			Stand.					
33949	01/03/07	BD	HARTING EURL F-95972 Paris				Blatt/ Page	
Mod.	Dot.	Name					Sub.	1/1