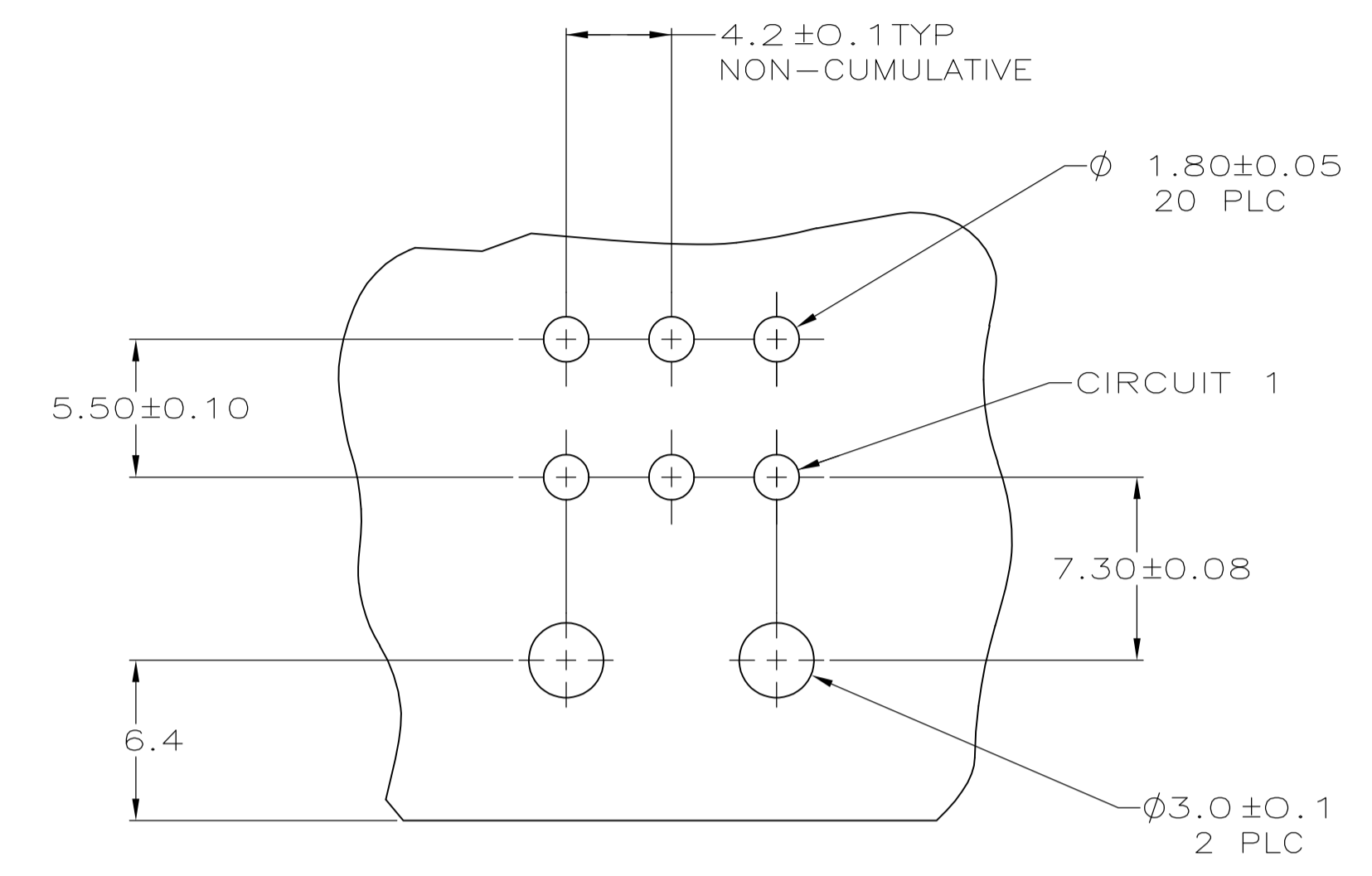
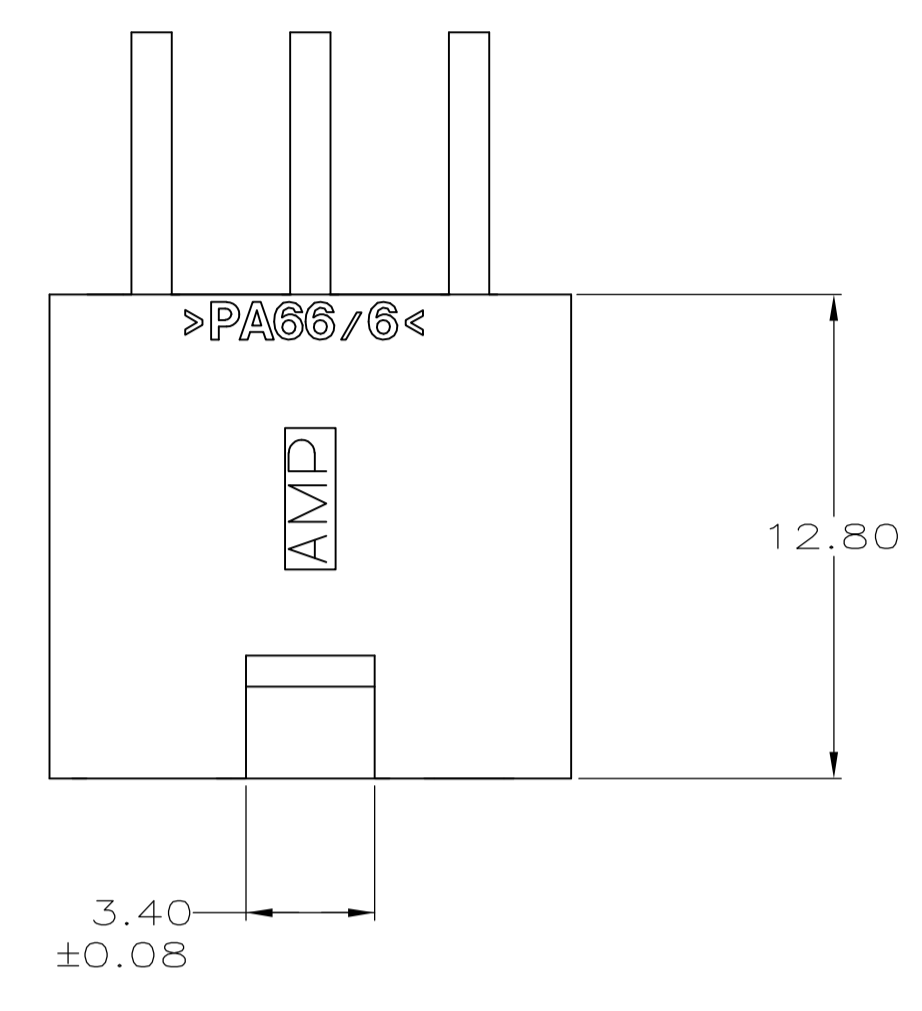
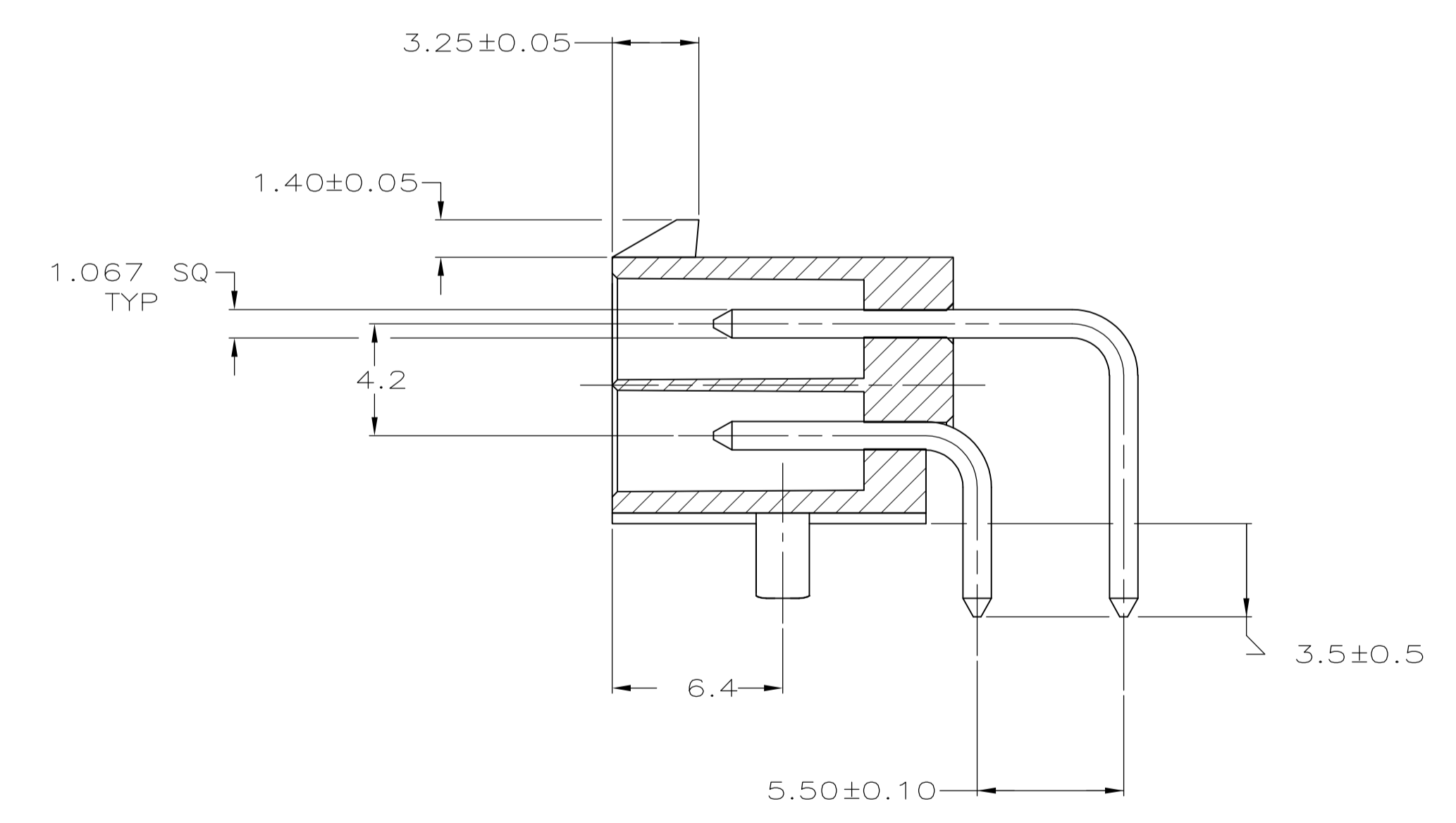
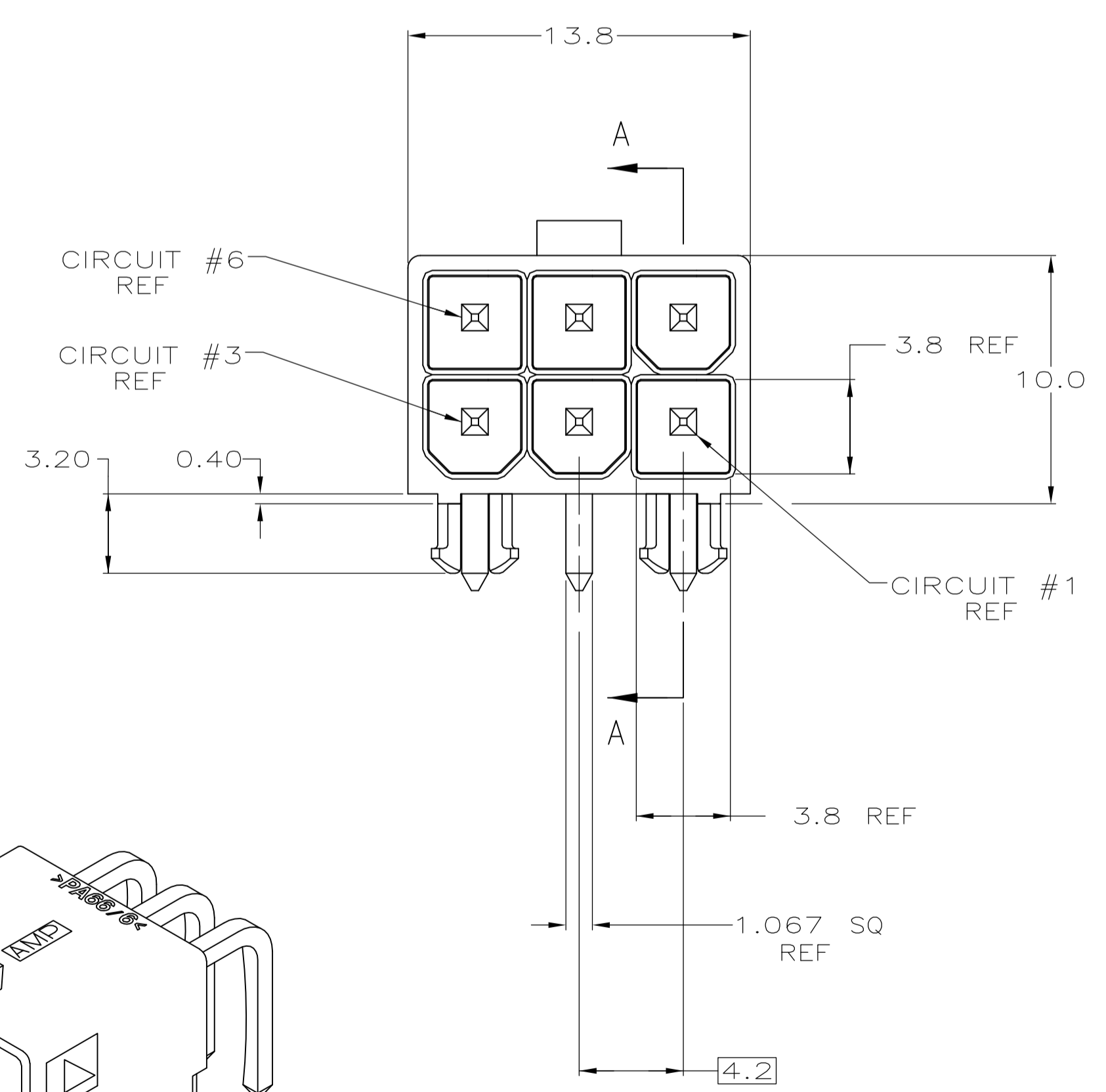


LOC		DIST		REVISIONS			
CM	00	P	LTR	DESCRIPTION	DATE	DWN	APVD
		D1		REVISED PER ECO-11-019177	21SEP11	KH	SM

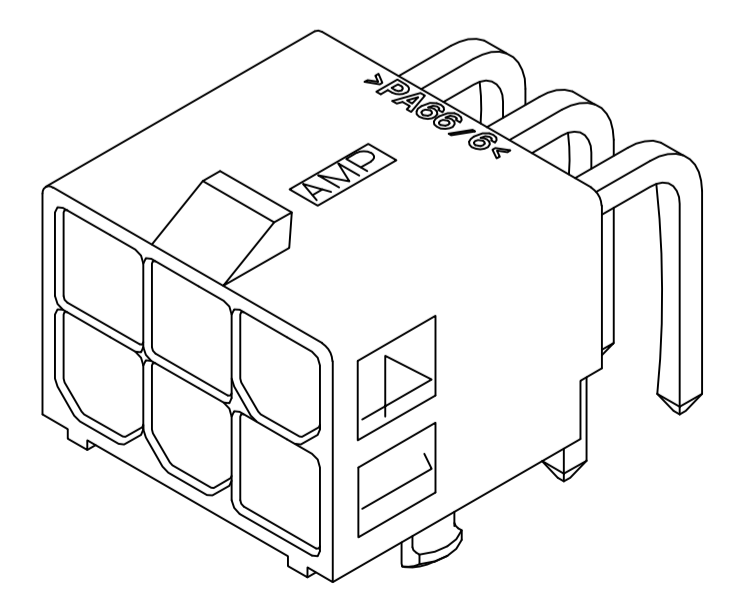
- △ MATERIAL: HOUSING - NYLON, UL94V-0 (COLOR - WHITE).  
CONTACTS - 1.067 SQ. COPPER ALLOY.
- 2. PINS TO COMPLY WITH AMP SOLDERABILITY SPEC 109-11-3.
- △ 0.00381 MIN TIN LEAD OVER 0.00127 MIN NICKEL  
ENTIRE LENGTH OF PIN.
- △ NOTE DELETED.
- △ 0.00381 MIN TIN OVER 0.00127 MIN NICKEL  
ENTIRE LENGTH OF PIN.
- △ 0.00076 [.000030] MIN GOLD IN THE LOCALIZED PLATE AREA  
0.00381 [.000150] MIN TIN IN THE LOCALIZED PLATE AREA  
BOTH OVER 0.00127 [.000050] MIN NICKEL.



RECOMMENDED MOUNTING HOLE PATTERN FOR 1.78 MAX THICK P.C. BOARD COMPONENT SIDE SHOWN SCALE 4:1



SECTION A-A



SUPERSEDED BY 1-794448-1

△ 1	△ 6	△ 1	△ 1	1-794528-2
△ 1	△ 5	△ 1	△ 1	1-794528-1
△ 1	△ 3	△ 1	△ 1	794528-1

PIN		HOUSING		PART NO
MATERIAL	FINISH	MATERIAL	COLOR	
THIS DRAWING IS A CONTROLLED DOCUMENT.				
DIMENSIONS: mm		TOLERANCES UNLESS OTHERWISE SPECIFIED:		
0 PLC	± -			
1 PLC	± 0.2 [.01]			
2 PLC	± 0.13 [.005]			
3 PLC	± -			
4 PLC	± -			
ANGLES	± 0°30'			
MATERIAL SEE TABLE	FINISH SEE TABLE	WEIGHT	SIZE	RESTRICTED TO
			A1 00779	
CUSTOMER DRAWING		SCALE	SHEET	REV
		5:1	1 of 1	D1

