

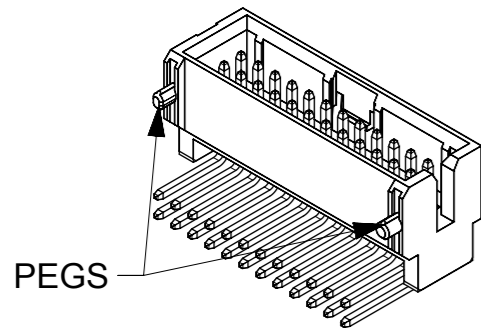
ASSEMBLY

201021 - X X X X

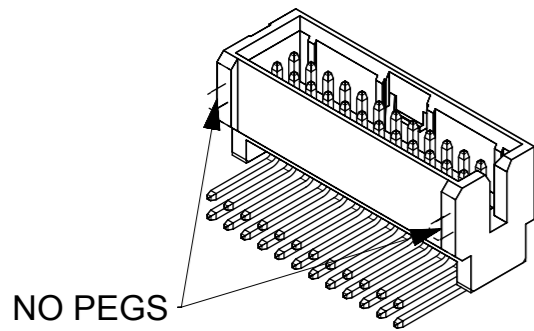
CKT SIZE & PEG OPTION
(NO PEG)
04 = 4 CKTS
...
24 = 24 CKTS
(WITH PEG)
54 = 4 CKTS
...
74 = 24 CKTS

FINISHES
0 = 0.05um Au MIN. GOLD ON CONTACT AND 2.00um MIN. MATTE TIN ON SOLDER TAIL OVER 1.27um MIN. NICKEL UNDERPLATE OVERALL
1 = 0.38um Au MIN. GOLD ON CONTACT AND 2.00um MIN. MATTE TIN ON SOLDER TAIL OVER 1.27um MIN. NICKEL UNDERPLATE OVERALL
2 = 0.76um Au MIN. GOLD ON CONTACT AND 2.00um MIN. MATTE TIN ON SOLDER TAIL OVER 1.27um MIN. NICKEL UNDERPLATE OVERALL

PACKAGING & KAPTON TAPE OPTION
TUBE & WITHOUT KAPTON TAPE
0 = 1.60 P.TAIL LENGTH
1 = 2.40 P.TAIL LENGTH
2 = 3.00 P.TAIL LENGTH
TUBE & WITH KAPTON TAPE
3 = 1.60 P.TAIL LENGTH
4 = 2.40 P.TAIL LENGTH
5 = 3.00 P.TAIL LENGTH
TAPE & REEL WITH KAPTON TAPE (NOT TOOLED)
6 = 1.60 P.TAIL LENGTH
7 = 2.40 P.TAIL LENGTH
8 = 3.00 P.TAIL LENGTH



PEGS



NO PEGS

THIS DRAWING CONTAINS INFORMATION THAT IS PROPRIETARY TO MOLEX ELECTRONIC TECHNOLOGIES, LLC AND SHOULD NOT BE USED WITHOUT WRITTEN PERMISSION

QUALITY SYMBOLS ▽ = 0 ▽ = 0 ▽ = 0 ▼ = 0 ▽ = 0 ⊗ = 0 ■ = 0 ▽ = 0	PRELIM. RELEASE EC NO: 111465 DRWN: SCHEONG CHK'D: KHLIM APPR: KHLIM	2016/12/07 2016/12/19	GENERAL TOLERANCES (UNLESS SPECIFIED)		DIMENSION UNITS	SCALE			
			ANGULAR TOL ± 3.0 °		MM	NTS			
			4 PLACES ±		DRWN BY	DATE			
			3 PLACES ±		SCHEONG	2016/02/22	1.27MM PITCH SLIM-GRID RIGHT-ANGLE THROUGH HOLE SHROUDED HEADER		
			2 PLACES ± 0.2		CHK'D BY	DATE			
			1 PLACE ±		GMENARLY	2016/11/18			
			0 PLACES ±		APPR BY	DATE	PRODUCT CUSTOMER DRAWING		
			DRAFT WHERE APPLICABLE MUST REMAIN WITHIN DIMENSIONS		KHLIM	2016/11/24			
					DRAWING SIZE	THIRD ANGLE PROJECTION			
					A3		SERIES	MATERIAL NUMBER	CUSTOMER
		A1		201021	SEE TABLE	GENERAL MARKET			
				DOCUMENT NUMBER		DOC TYPE	DOC PART	SHEET NUMBER	
				2010210024		PSD	000	2 OF 3	

CKT SIZE	PIN TAIL LENGTH, G = 1.60				PIN TAIL LENGTH, G = 2.40				PIN TAIL LENGTH, G = 3.00			
	ASSEMBLY NO PEG & NO KAPTON TAPE P/N	ASSEMBLY NO PEG & WITH KAPTON TAPE P/N	ASSEMBLY WITH PEG & NO KAPTON TAPE P/N	ASSEMBLY WITH PEG & WITH KAPTON TAPE P/N	ASSEMBLY NO PEG & NO KAPTON TAPE P/N	ASSEMBLY NO PEG & WITH KAPTON TAPE P/N	ASSEMBLY WITH PEG & NO KAPTON TAPE P/N	ASSEMBLY WITH PEG & WITH KAPTON TAPE P/N	ASSEMBLY NO PEG & NO KAPTON TAPE P/N	ASSEMBLY NO PEG & WITH KAPTON TAPE P/N	ASSEMBLY WITH PEG & NO KAPTON TAPE P/N	ASSEMBLY WITH PEG & WITH KAPTON TAPE P/N
4	201021-0004	201021-3004	201021-0054	201021-3054	201021-1004	201021-4004	201021-1054	201021-4054	201021-2004	201021-5004	201021-2054	201021-5054
	201021-0104	201021-3104	201021-0154	201021-3154	201021-1104	201021-4104	201021-1154	201021-4154	201021-2104	201021-5104	201021-2154	201021-5154
	201021-0204	201021-3204	201021-0254	201021-3254	201021-1204	201021-4204	201021-1254	201021-4254	201021-2204	201021-5204	201021-2254	201021-5254
6	201021-0006	201021-3006	201021-0056	201021-3056	201021-1006	201021-4006	201021-1056	201021-4056	201021-2006	201021-5006	201021-2056	201021-5056
	201021-0106	201021-3106	201021-0156	201021-3156	201021-1106	201021-4106	201021-1156	201021-4156	201021-2106	201021-5106	201021-2156	201021-5156
	201021-0206	201021-3206	201021-0256	201021-3256	201021-1206	201021-4206	201021-1256	201021-4256	201021-2206	201021-5206	201021-2256	201021-5256
8	201021-0008	201021-3008	201021-0058	201021-3058	201021-1008	201021-4008	201021-1058	201021-4058	201021-2008	201021-5008	201021-2058	201021-5058
	201021-0108	201021-3108	201021-0158	201021-3158	201021-1108	201021-4108	201021-1158	201021-4158	201021-2108	201021-5108	201021-2158	201021-5158
	201021-0208	201021-3208	201021-0258	201021-3258	201021-1208	201021-4208	201021-1258	201021-4258	201021-2208	201021-5208	201021-2258	201021-5258
10	201021-0010	201021-3010	201021-0060	201021-3060	201021-1010	201021-4010	201021-1060	201021-4060	201021-2010	201021-5010	201021-2060	201021-5060
	201021-0110	201021-3110	201021-0160	201021-3160	201021-1110	201021-4110	201021-1160	201021-4160	201021-2110	201021-5110	201021-2160	201021-5160
	201021-0210	201021-3210	201021-0260	201021-3260	201021-1210	201021-4210	201021-1260	201021-4260	201021-2210	201021-5210	201021-2260	201021-5260
12	201021-0012	201021-3012	201021-0062	201021-3062	201021-1012	201021-4012	201021-1062	201021-4062	201021-2012	201021-5012	201021-2062	201021-5062
	201021-0112	201021-3112	201021-0162	201021-3162	201021-1112	201021-4112	201021-1162	201021-4162	201021-2112	201021-5112	201021-2162	201021-5162
	201021-0212	201021-3212	201021-0262	201021-3262	201021-1212	201021-4212	201021-1262	201021-4262	201021-2212	201021-5212	201021-2262	201021-5262
14	201021-0014	201021-3014	201021-0064	201021-3064	201021-1014	201021-4014	201021-1064	201021-4064	201021-2014	201021-5014	201021-2064	201021-5064
	201021-0114	201021-3114	201021-0164	201021-3164	201021-1114	201021-4114	201021-1164	201021-4164	201021-2114	201021-5114	201021-2164	201021-5164
	201021-0214	201021-3214	201021-0264	201021-3264	201021-1214	201021-4214	201021-1264	201021-4264	201021-2214	201021-5214	201021-2264	201021-5264
16	201021-0016	201021-3016	201021-0066	201021-3066	201021-1016	201021-4016	201021-1066	201021-4066	201021-2016	201021-5016	201021-2066	201021-5066
	201021-0116	201021-3116	201021-0166	201021-3166	201021-1116	201021-4116	201021-1166	201021-4166	201021-2116	201021-5116	201021-2166	201021-5166
	201021-0216	201021-3216	201021-0266	201021-3266	201021-1216	201021-4216	201021-1266	201021-4266	201021-2216	201021-5216	201021-2266	201021-5266
18	201021-0018	201021-3018	201021-0068	201021-3068	201021-1018	201021-4018	201021-1068	201021-4068	201021-2018	201021-5018	201021-2068	201021-5068
	201021-0118	201021-3118	201021-0168	201021-3168	201021-1118	201021-4118	201021-1168	201021-4168	201021-2118	201021-5118	201021-2168	201021-5168
	201021-0218	201021-3218	201021-0268	201021-3268	201021-1218	201021-4218	201021-1268	201021-4268	201021-2218	201021-5218	201021-2268	201021-5268
20	201021-0020	201021-3020	201021-0070	201021-3070	201021-1020	201021-4020	201021-1070	201021-4070	201021-2020	201021-5020	201021-2070	201021-5070
	201021-0120	201021-3120	201021-0170	201021-3170	201021-1120	201021-4120	201021-1170	201021-4170	201021-2120	201021-5120	201021-2170	201021-5170
	201021-0220	201021-3220	201021-0270	201021-3270	201021-1220	201021-4220	201021-1270	201021-4270	201021-2220	201021-5220	201021-2270	201021-5270
22	201021-0022	201021-3022	201021-0072	201021-3072	201021-1022	201021-4022	201021-1072	201021-4072	201021-2022	201021-5022	201021-2072	201021-5072
	201021-0122	201021-3122	201021-0172	201021-3172	201021-1122	201021-4122	201021-1172	201021-4172	201021-2122	201021-5122	201021-2172	201021-5172
	201021-0222	201021-3222	201021-0272	201021-3272	201021-1222	201021-4222	201021-1272	201021-4272	201021-2222	201021-5222	201021-2272	201021-5272
24	201021-0024	201021-3024	201021-0074	201021-3074	201021-1024	201021-4024	201021-1074	201021-4074	201021-2024	201021-5024	201021-2074	201021-5074
	201021-0124	201021-3124	201021-0174	201021-3174	201021-1124	201021-4124	201021-1174	201021-4174	201021-2124	201021-5124	201021-2174	201021-5174
	201021-0224	201021-3224	201021-0274	201021-3274	201021-1224	201021-4224	201021-1274	201021-4274	201021-2224	201021-5224	201021-2274	201021-5274

THIS DRAWING CONTAINS INFORMATION THAT IS PROPRIETARY TO MOLEX ELECTRONIC TECHNOLOGIES, LLC AND SHOULD NOT BE USED WITHOUT WRITTEN PERMISSION											
QUALITY SYMBOLS 	PRELIM. RELEASE 2016/12/07 2016/12/19 EC NO: 111465 DRWN: SCHEONG CHK'D: KHLIM APPR: KHLIM	GENERAL TOLERANCES (UNLESS SPECIFIED) ANGULAR TOL ± 3.0 ° 4 PLACES ± 3 PLACES ± 2 PLACES ± 0.2 1 PLACE ± 0 PLACES ± DRAFT WHERE APPLICABLE MUST REMAIN WITHIN DIMENSIONS	DIMENSION UNITS	SCALE	 1.27MM PITCH SLIM-GRID RIGHT-ANGLE THROUGH HOLE SHROUDED HEADER PRODUCT CUSTOMER DRAWING						
			MM	NTS							
DRWN BY		DATE		SERIES		MATERIAL NUMBER		CUSTOMER			
SCHEONG		2016/02/22		201021		SEE TABLE		GENERAL MARKET			
CHK'D BY		DATE		DRAWING SIZE		THIRD ANGLE PROJECTION		DOCUMENT NUMBER			
GMENARLY		2016/11/18		A3				2010210024			
APPR BY		DATE		DOC TYPE		DOC PART		SHEET NUMBER			
KHLIM		2016/11/24		PSD		000		3 OF 3			
RELEASE STATUS: RQ RELEASE DATE: 16.12.2016 02:17:53											