

REV CL

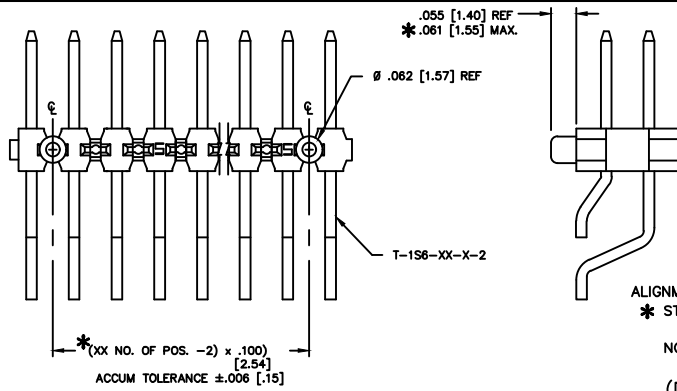
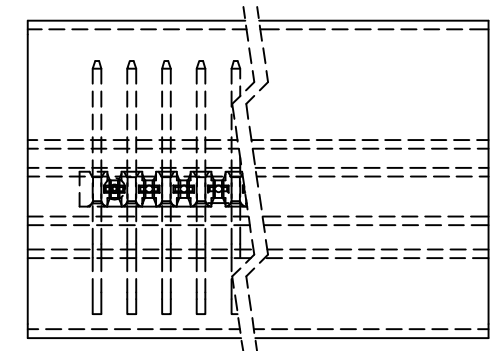
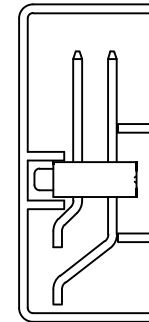


FIG 2

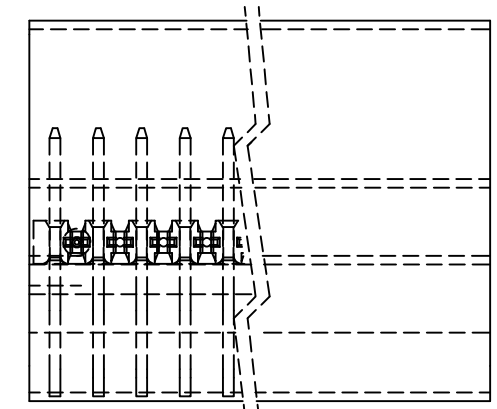
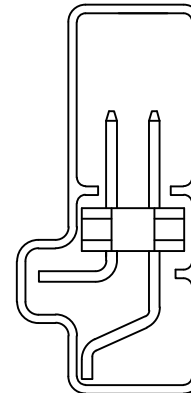
-A: ALIGNMENT PIN
ALIGNMENT PINS APPEAR ON -A OPTION ONLY.
* STAKED: USE (2) SM-A10H AND TSM-50-DHU
(CAN BE CUT TO POSITION)
NOT STAKED: USE TSM-XX-DHU-XX
(CAN BE CUT TO POSITION)
(DIFFERENT AS SHOWN, OTHERWISE SAME AS FIG 1)

DIMENSIONS ARE IN INCHES		TOLERANCES ARE		TITLE:		DWG NO:	
ONE PLACE DECIMALS ± .1 [3]	TWO PLACE DECIMALS ± .01 [.3]	THREE PLACE DECIMALS ± .005 [.13]	FOUR PLACE DECIMALS ± .0020 [.051]	ANGLES	TERMINAL STRIP DOUBLE SURFACE MOUNT	TSM-1XX-XX-XXX-XX-XX-XXX-XX	
				± 2°	SHEET 3 OF 3		

PACKAGE AS SHOWN
SCALE .75



TUBE: PT-TSM001-DH
PLUG: TP-09



-MT OPTION
TUBE: PT-TSM005-DH-MT
PLUG: TP-29

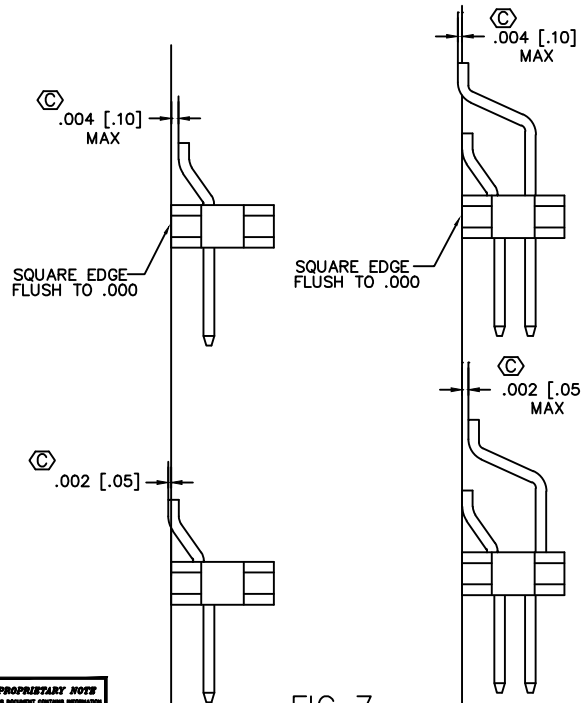


FIG 7

-DH SURFACEMOUNT DIAGRAM

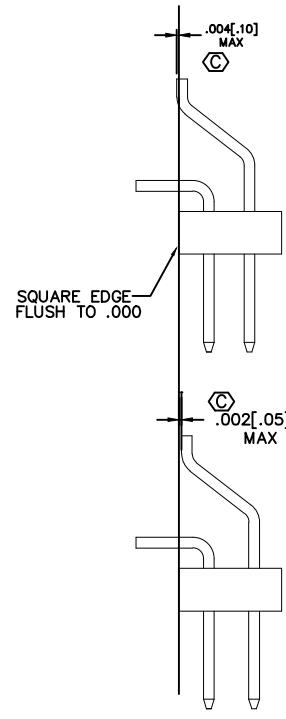


FIG 8

-MT SURFACEMOUNT DIAGRAM

PROPRIETARY NOTES
THIS DOCUMENT CONTAINS PROPRIETARY INFORMATION OF SAMTEC. IT IS THE PROPERTY OF SAMTEC AND IS LOANED TO YOU. IT IS TO BE USED ONLY FOR THE PURPOSES AND IN THE MANNER SPECIFIED BY YOU. IT IS NOT TO BE REPRODUCED, COPIED, OR DISSEMINATED IN ANY MANNER WITHOUT THE WRITTEN PERMISSION OF SAMTEC.

MISC\MKGT
TSM-1XX-XX-XXX-XX-XX-XXX-XX

samtec
520 PARK EAST BLVD. NEW ALBANY, INDIANA 47150
PHONE (812) 944-5733 P.O. BOX 1147
CODE 55322

MADE BY: BRATCHER 7-27-85

TSM-1XX-XX-XXX-XX-XX-XXX-XX
SHEET 3 OF 3