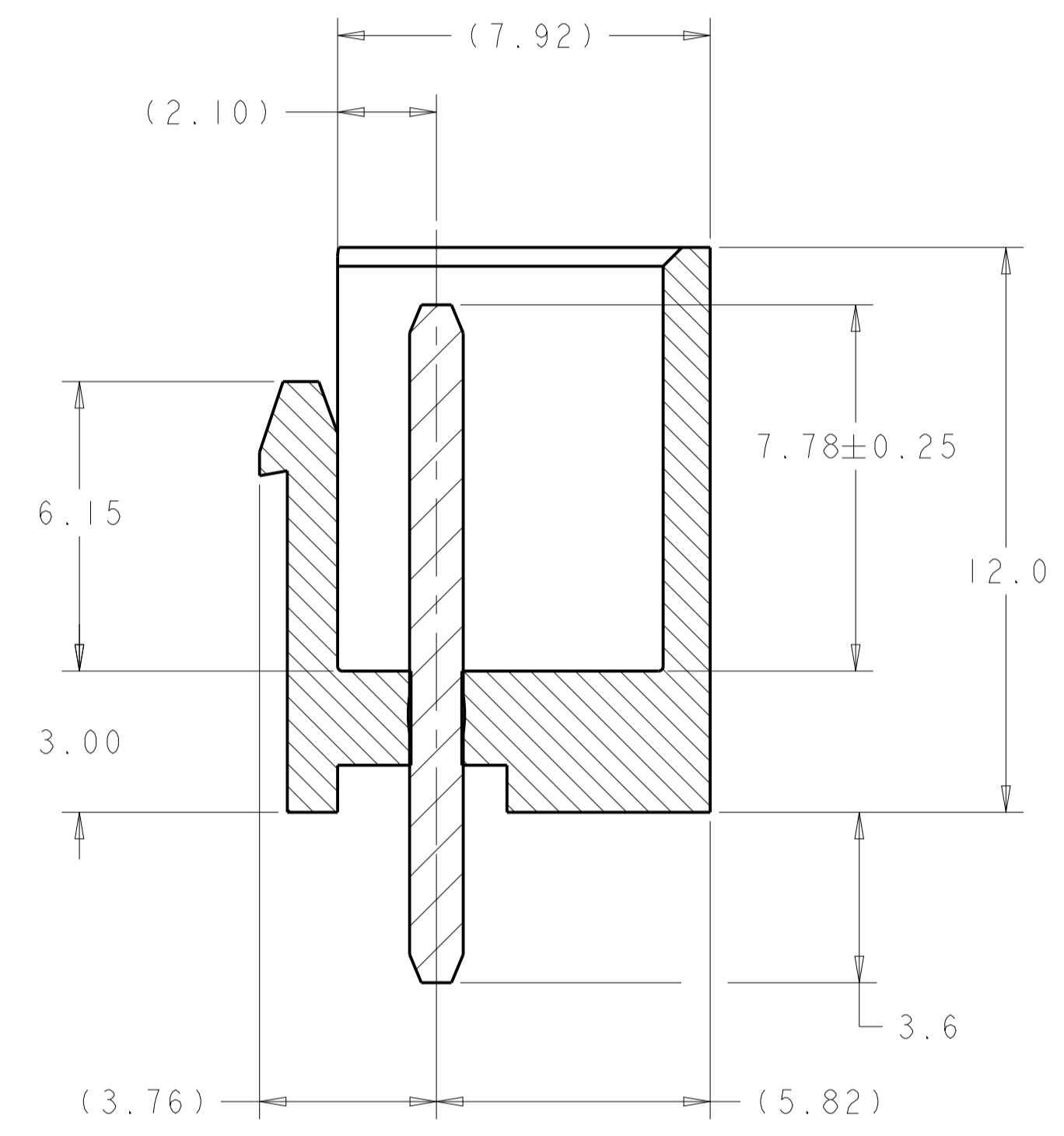
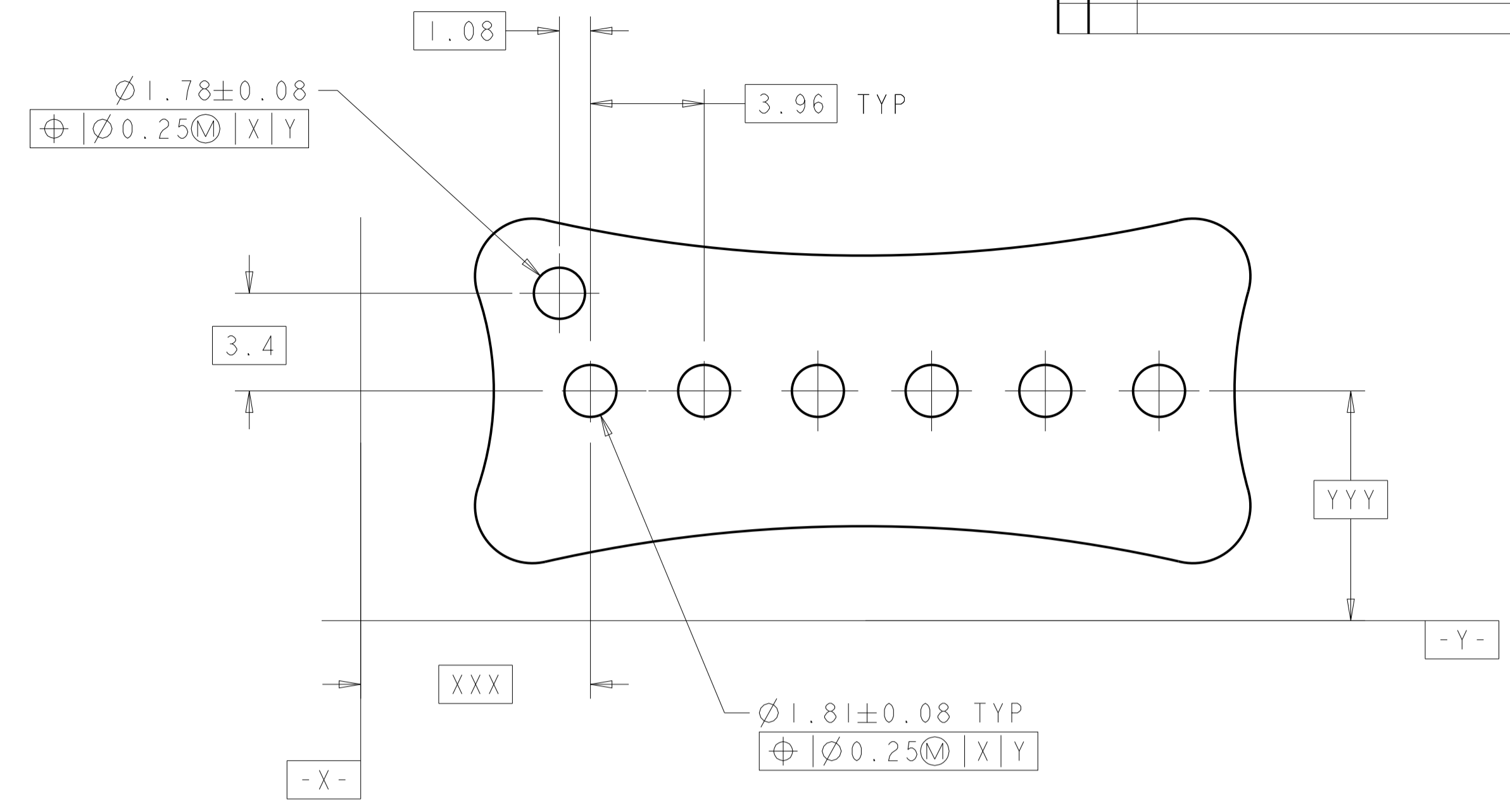
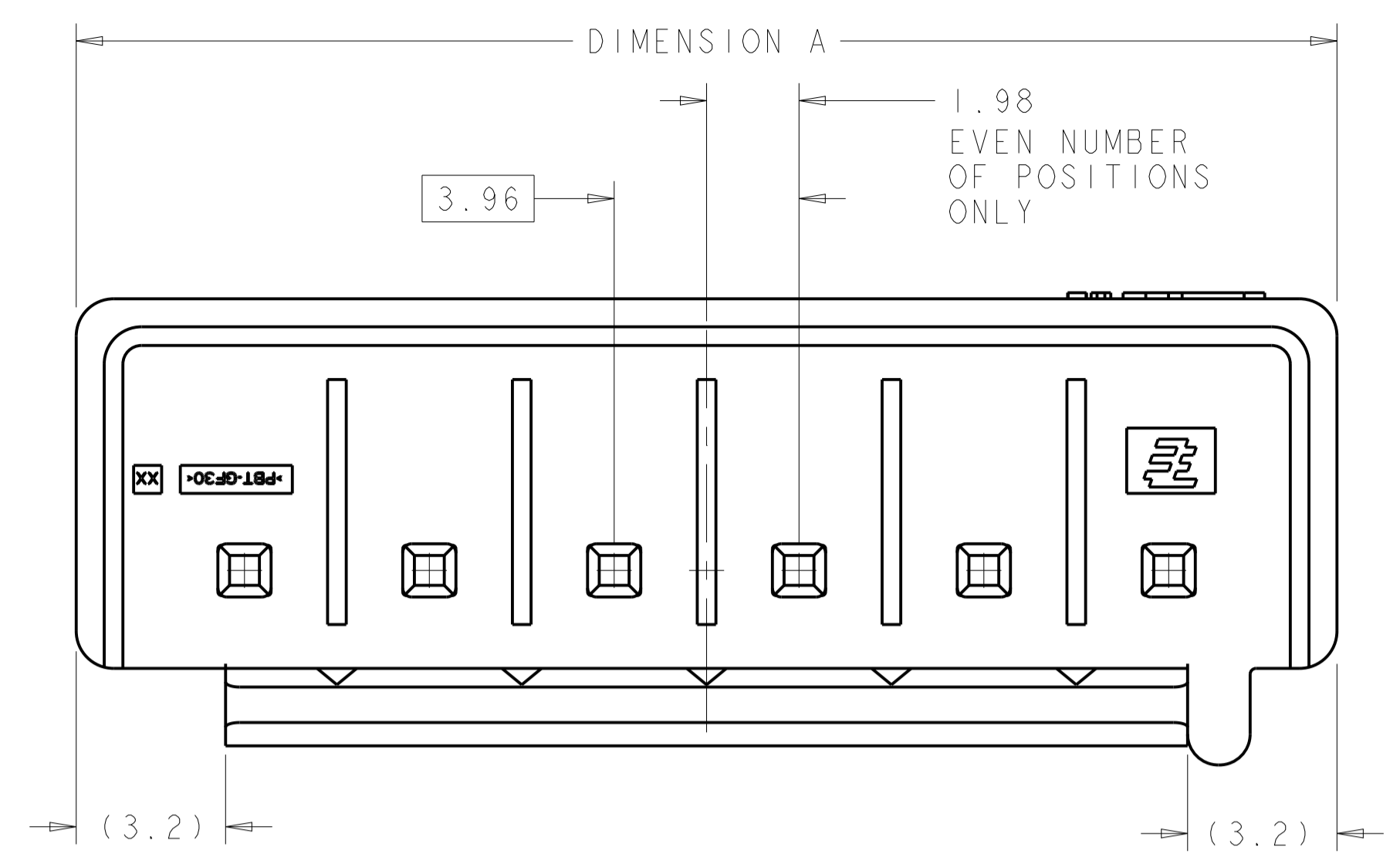
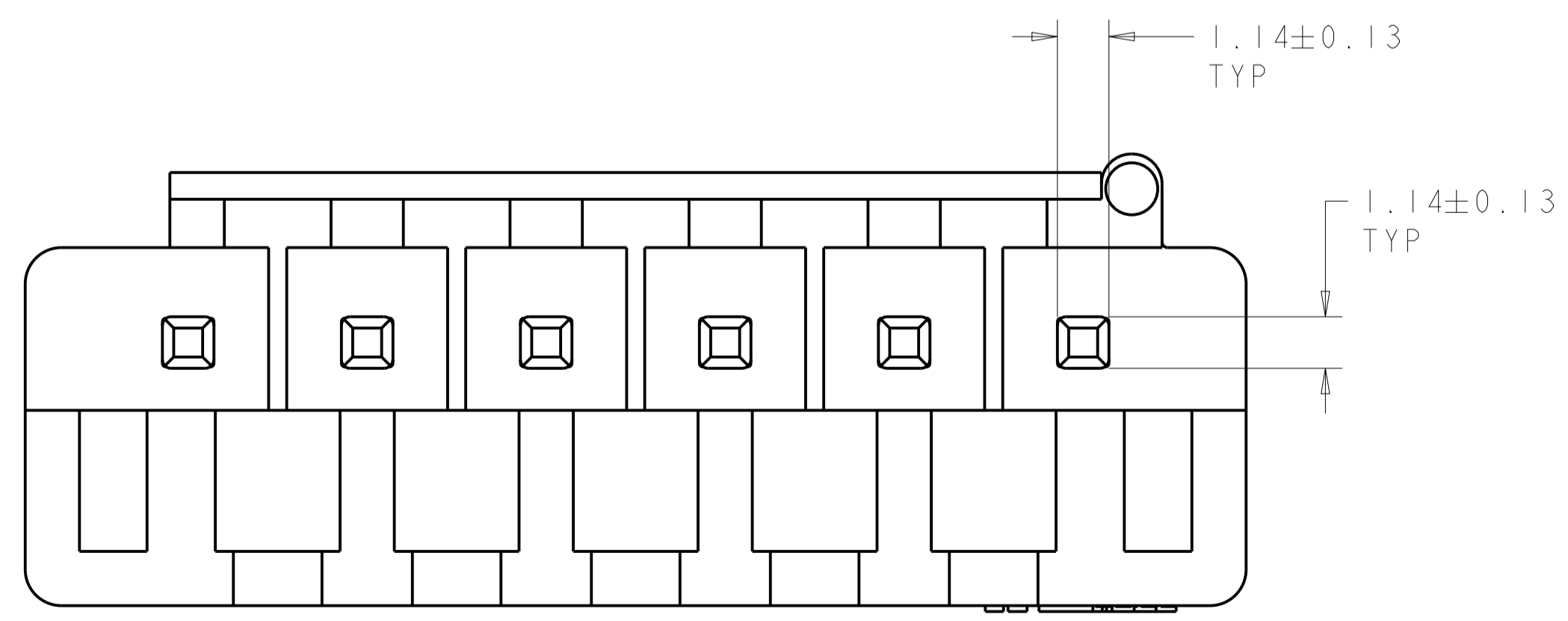
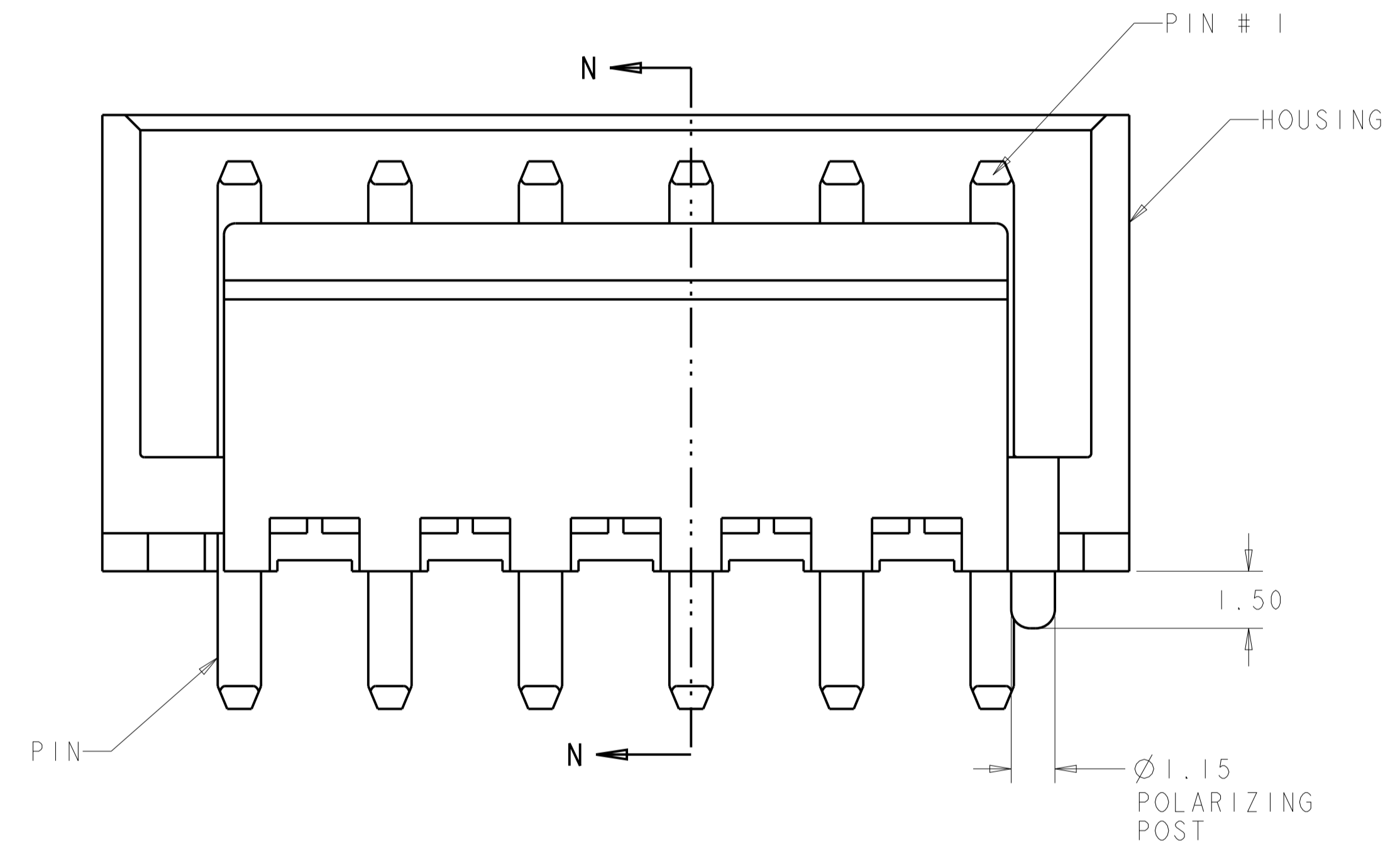


LOC		DIST		REVISIONS			
GP	00	P	LTN	DESCRIPTION	DATE	DWN	APVD
		A		REVISED PER ECR-14-002687	07MAR2014	NK	TM



SECTION N-N



RECOMMENDED PCB LAYOUT  
 SCALE 6:1

- 1 MATERIAL: HOUSING; PBT GLASS FILLED UL94V-0  
 PIN; BRASS, BLUE
- 2 FINISH: PIN, 1.0µm MIN TIN OVER 0.8µm MIN NICKEL.

50.77	12	1-1744486-2
46.81	11	1-1744486-1
42.85	10	1-1744486-0
38.89	9	1744486-9
34.93	8	1744486-8
30.97	7	1744486-7
27.01	6	1744486-6
23.05	5	1744486-5
19.09	4	1744486-4
15.13	3	1744486-3
11.17	2	1744486-2
DIM A	POS	ASSEMBLY PART NO.

THIS DRAWING IS A CONTROLLED DOCUMENT. DWG: KIRAN\_HOLAL 11AUG2012  
 CHK: MACE\_SAM 11AUG2012  
 APVD: MACE\_SAM 11AUG2012

DIMENSIONS: mm  
 TOLERANCES UNLESS OTHERWISE SPECIFIED:  
 0 PLC ±0.50  
 1 PLC ±0.30  
 2 PLC ±0.30  
 3 PLC ±0.30  
 4 PLC ±0.30  
 ANGLES ±0.50

MATERIAL: 1  
 FINISH: 2

Customer Drawing

NAME: SHROUDED HEADER ASSEMBLY, SINGLE LATCH, 3.96mm PITCH, ECONOMY POWER (EP), BLUE  
 PRODUCT SPEC: 108-5609  
 APPLICATION SPEC: 108-5609

SIZE: A1  
 CAGE CODE: 100779  
 DRAWING NO: 1744486  
 RESTRICTED TO: -

SCALE: 8:1 SHEET 1 OF 1 REV A