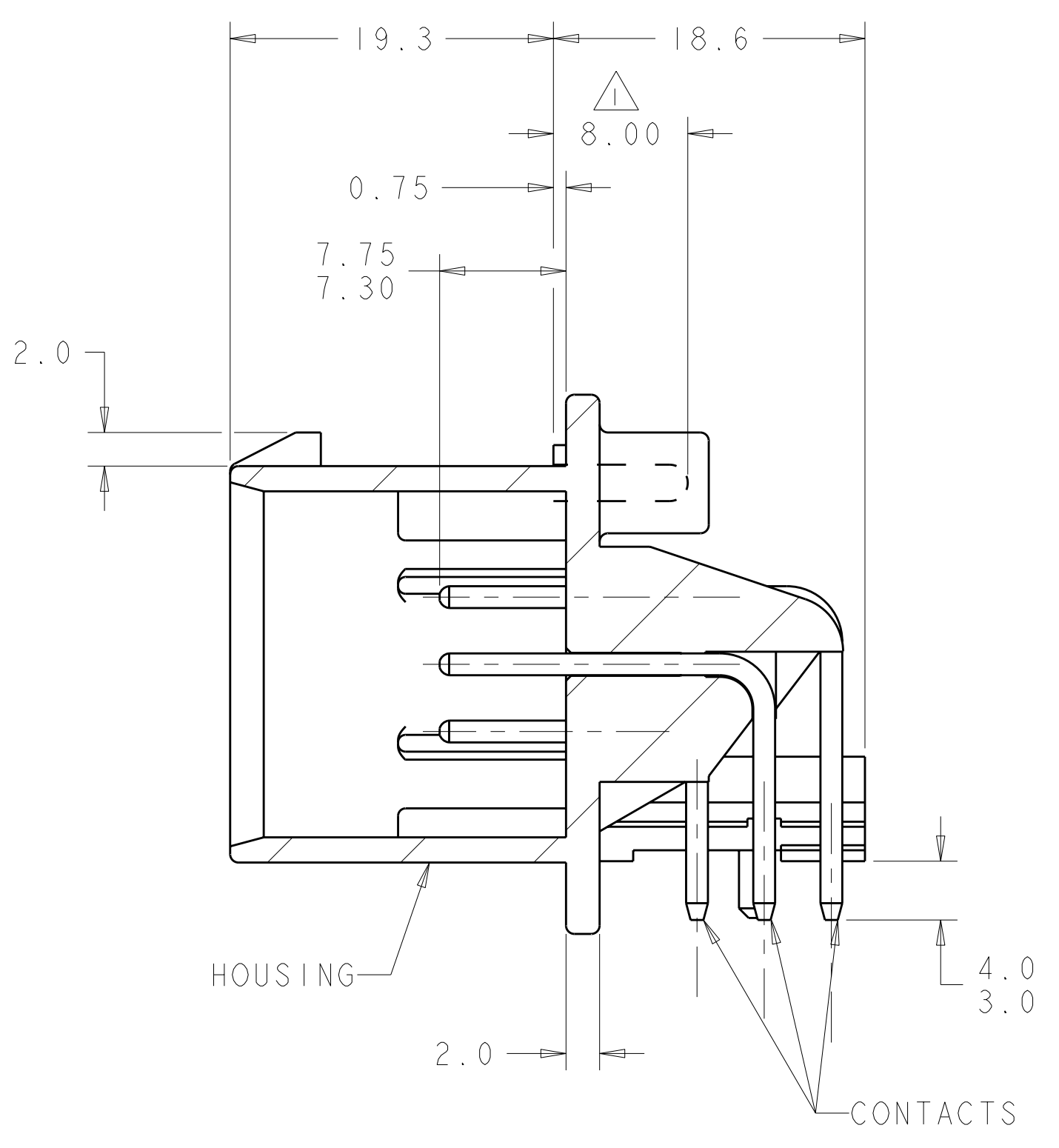
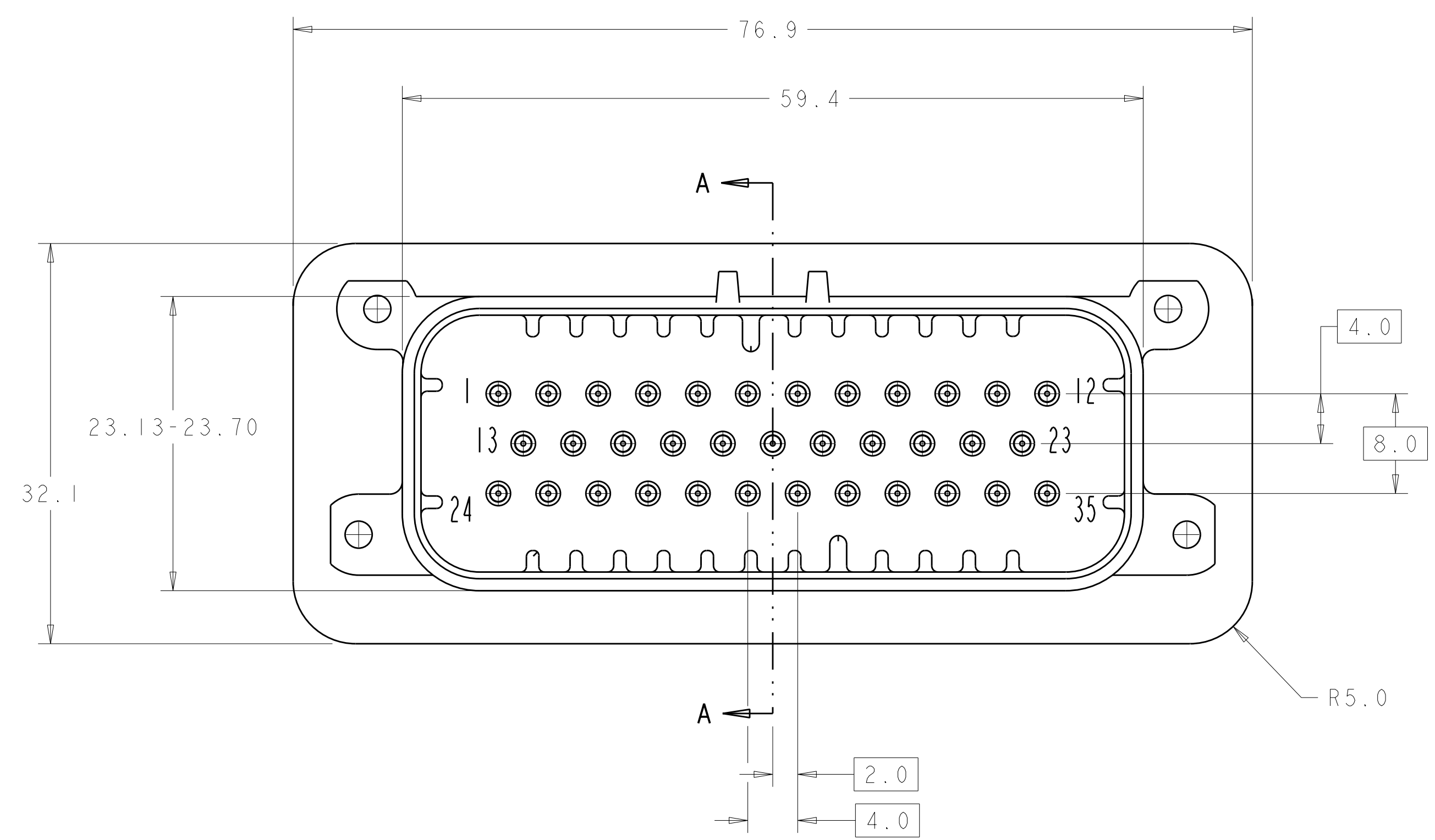
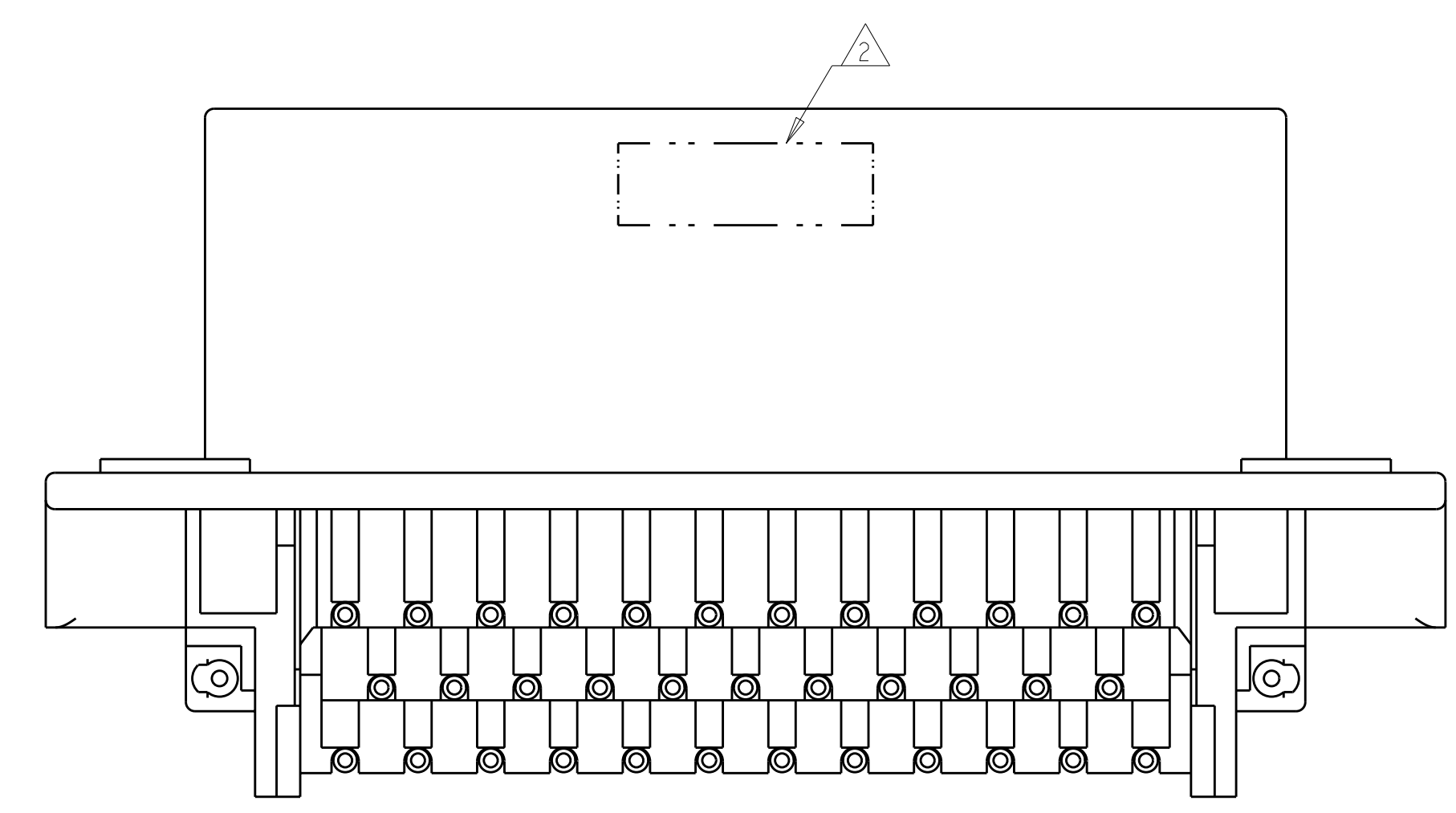


LOC	DIST	REV	DATE	BY	APPV
GE	00	H2	29SEP2010	DD	DS
		H3	29MAY2012	DD	DS



SECTION A-A



- 1 ACCEPTS #4 SELF TAPPING THREAD FORMING SCREW OR METRIC EQUIVALENT TO BE DRIVEN AT 0.6±0.2 N-M.
- 2 DATE CODE IN THIS LOCATION USING 5 DIGIT CODE FIRST 2 DIGITS = YEAR, SECOND 2 DIGITS = WEEK LAST DIGIT = DAY
- 3 HOUSING COLORS ARE MECHANICALLY KEYED TO MATE ONLY WITH IDENTICALLY COLORED PLUG ASSEMBLIES.
- 4 MATERIAL: HEADER HOUSING - GLASS FILLED PBT PINS - TIN OR GOLD PLATED BRASS
- 5. HEADER MATES TO PLUG ASSEMBLY 776164 WHICH USES REELED TERMINAL 770520 OR LOOSE PIECE TERMINAL 770854

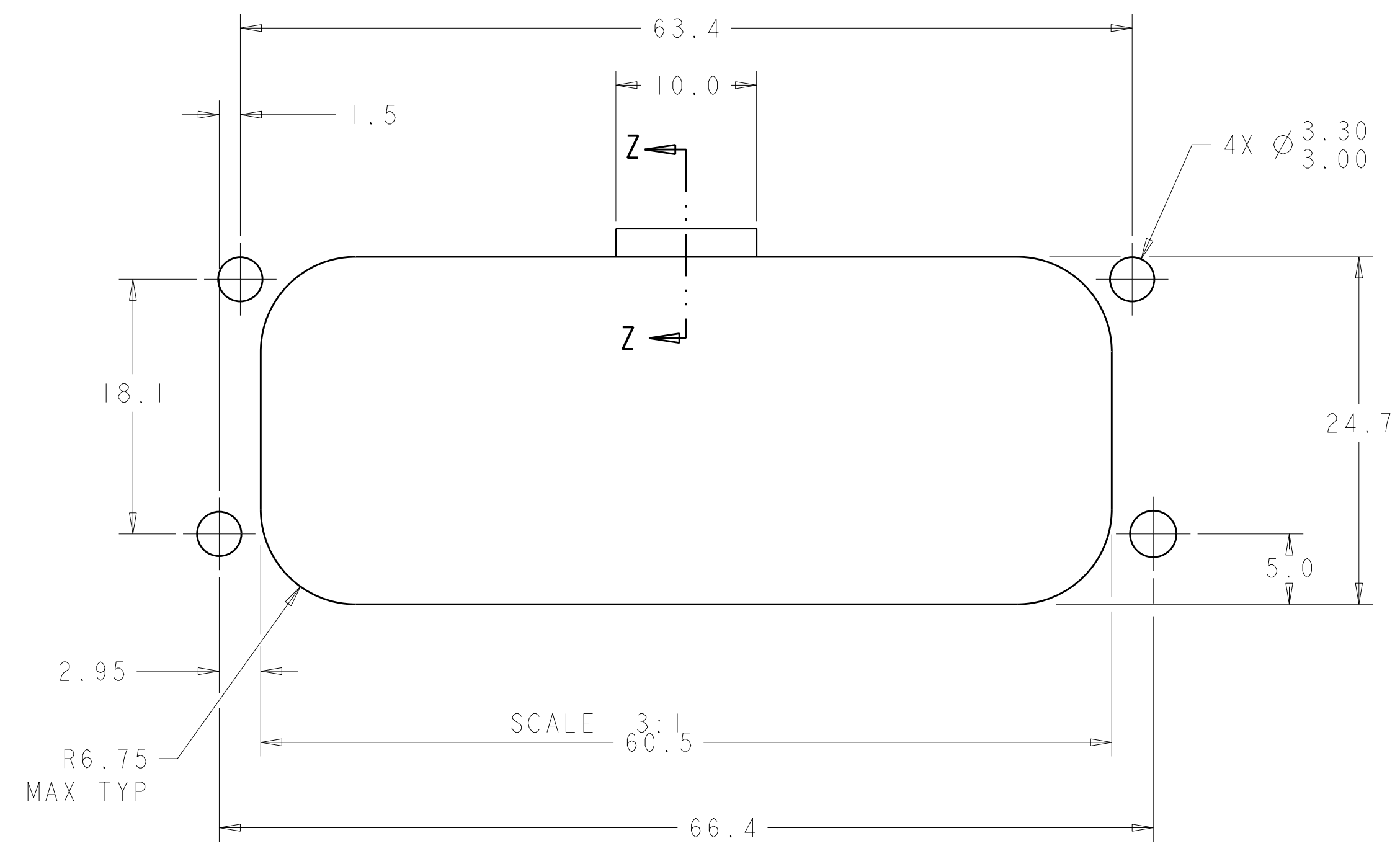
776180-1 & 1-776180-1  
 KEY LOCATION AS SHOWN

DURAGOLD	COLOR	PART NUMBER
DURAGOLD	ORANGE	1-776180-6
DURAGOLD	BLUE	1-776180-5
DURAGOLD	GRAY	1-776180-4
DURAGOLD	NATURAL (WHITE)	1-776180-2
DURAGOLD	BLACK	1-776180-1
TIN	BLUE	776180-5
TIN	GRAY	776180-4
TIN	NATURAL (WHITE)	776180-2
TIN	BLACK	776180-1
FINISH	HEADER COLOR	PART NUMBER

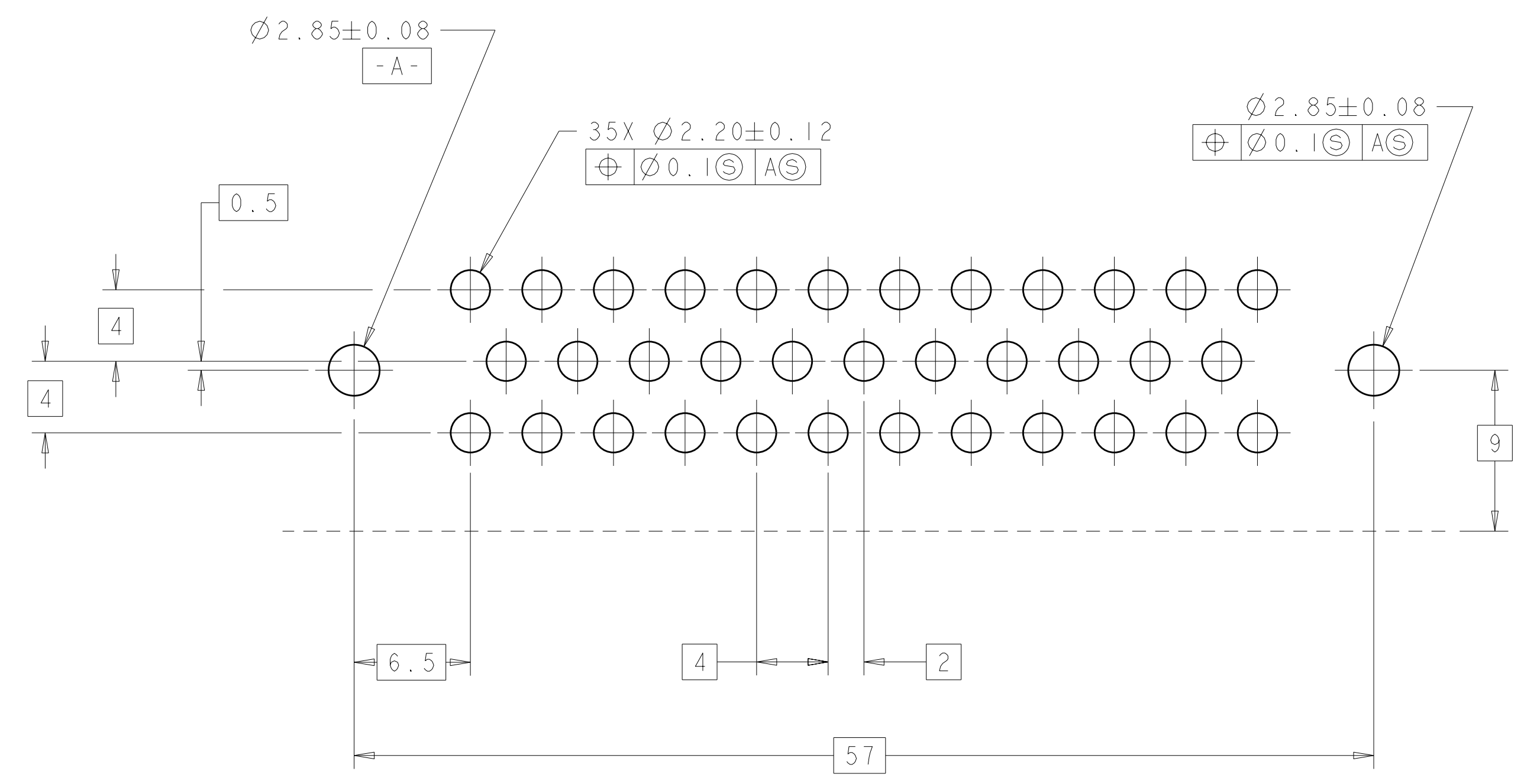
THIS DRAWING IS A CONTROLLED DOCUMENT.

DIMENSIONS:	TOLERANCES UNLESS OTHERWISE SPECIFIED:	OWN: R. VESTAL 31DEC2002	NAME: <b>STE</b> TE Connectivity
mm	0 PLC ±0.3	CHK: D. CROWE 31DEC2002	PRODUCT SPEC: 108-1329
	1 PLC ±0.13	APPV: D. CROWE 31DEC2002	APPLICATION SPEC: 114-16016
	2 PLC ±0.13		RESTRICTED TO: A100779C=776180
	3 PLC ±0.13		SCALE: 3:1 SHEET 1 OF 2 REV: H3
	4 PLC ±0.13		
	ANGLES ±0.5		
MATERIAL: 4	FINISH: 4	WEIGHT: -	CUSTOMER DRAWING

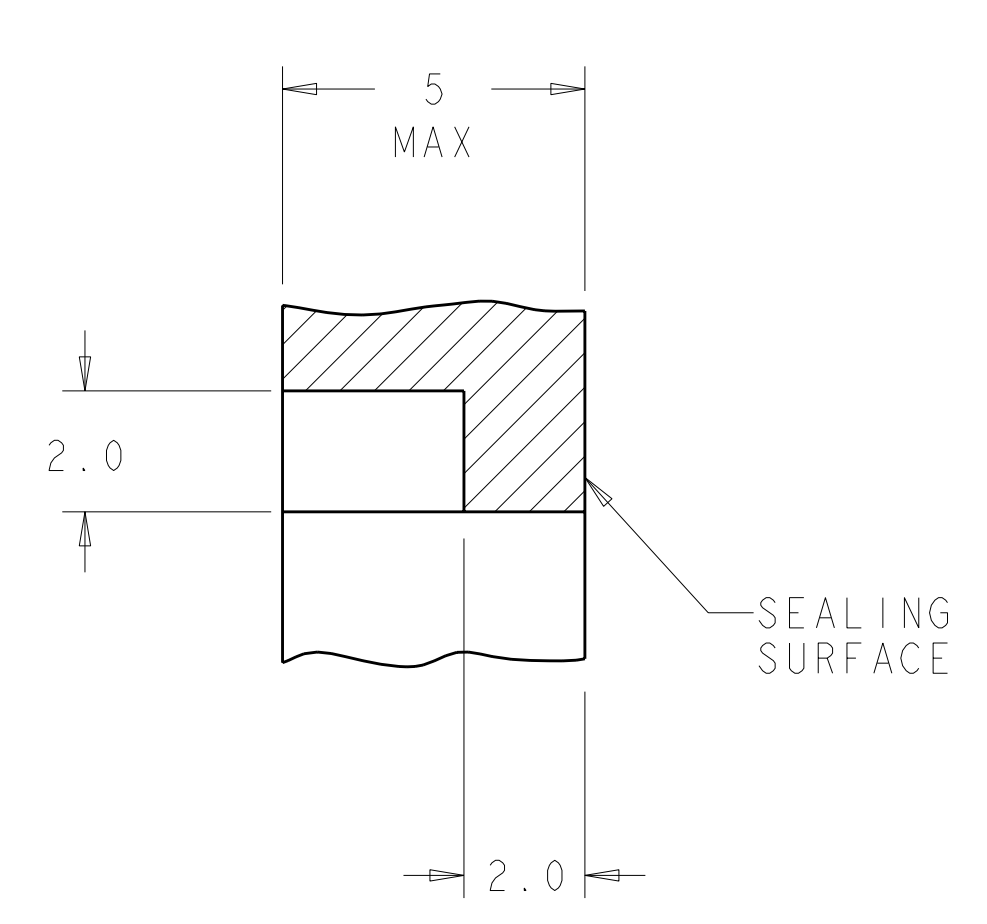
LOC	DIST	REV	DATE	BY	APPD
GE	00				
REVISIONS			DESCRIPTION	DATE	DWN
			SEE SHEET 1		



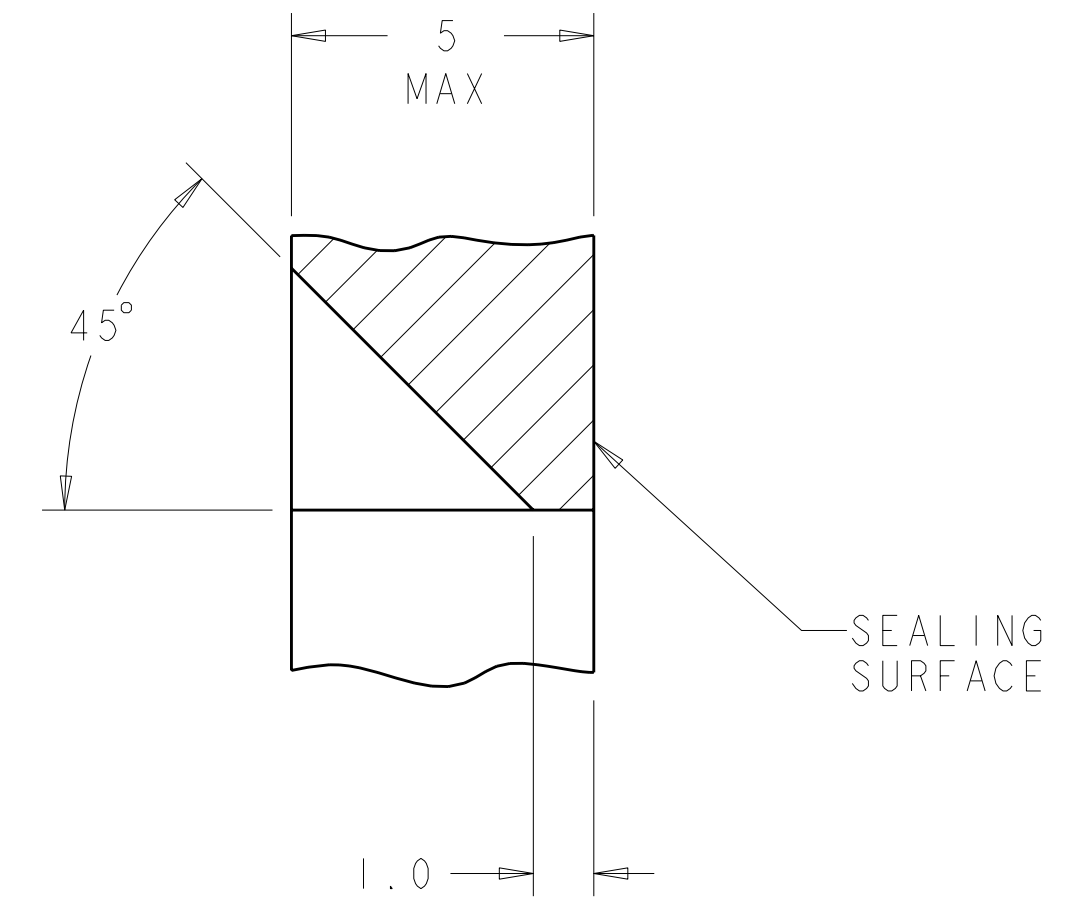
RECOMMENDED MOUNTING HOLE LAYOUT FOR 5.0 MAX THICK PANEL



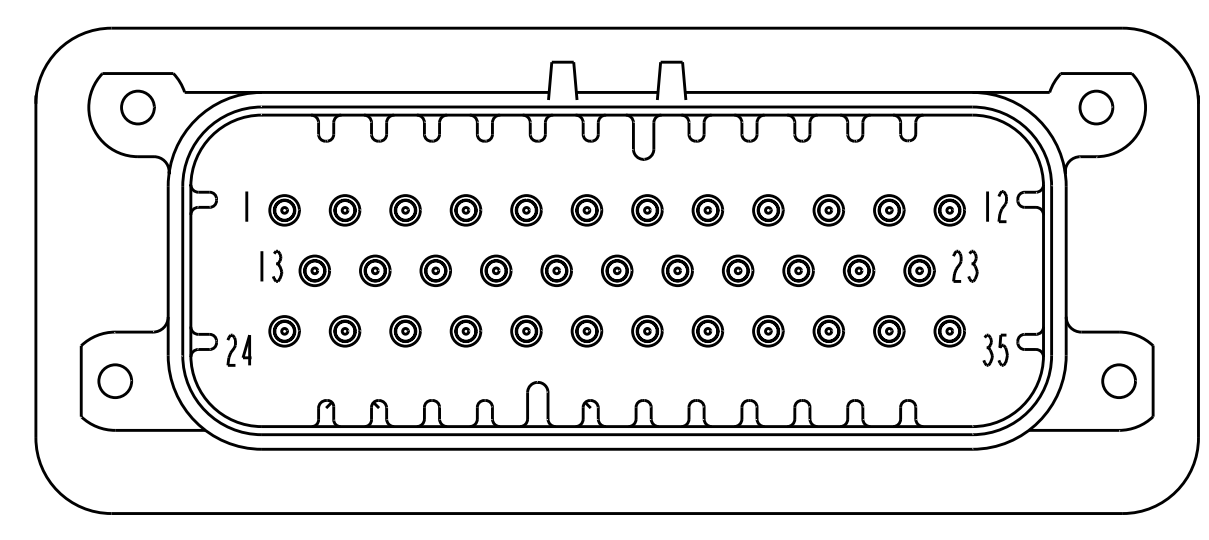
RECOMMENDED P.C. BOARD LAYOUT FOR 1.57 THICK P.C. BOARD



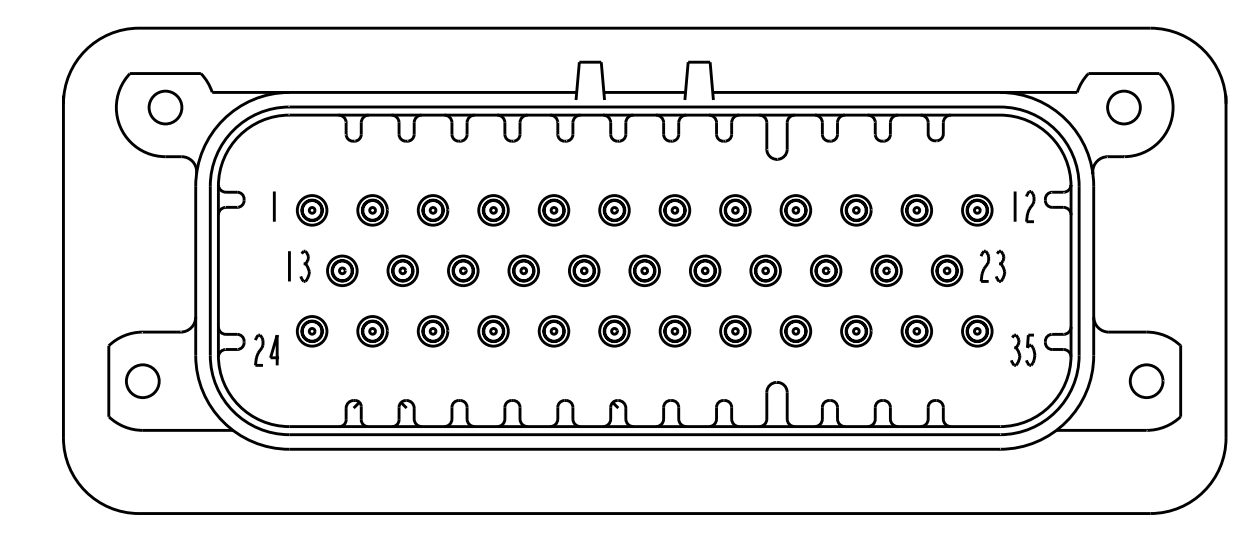
SECTION Z-Z  
 OPTIONAL CONSTRUCTION IF THICKNESS IS GREATER THAN 2.0  
 SCALE 8:1



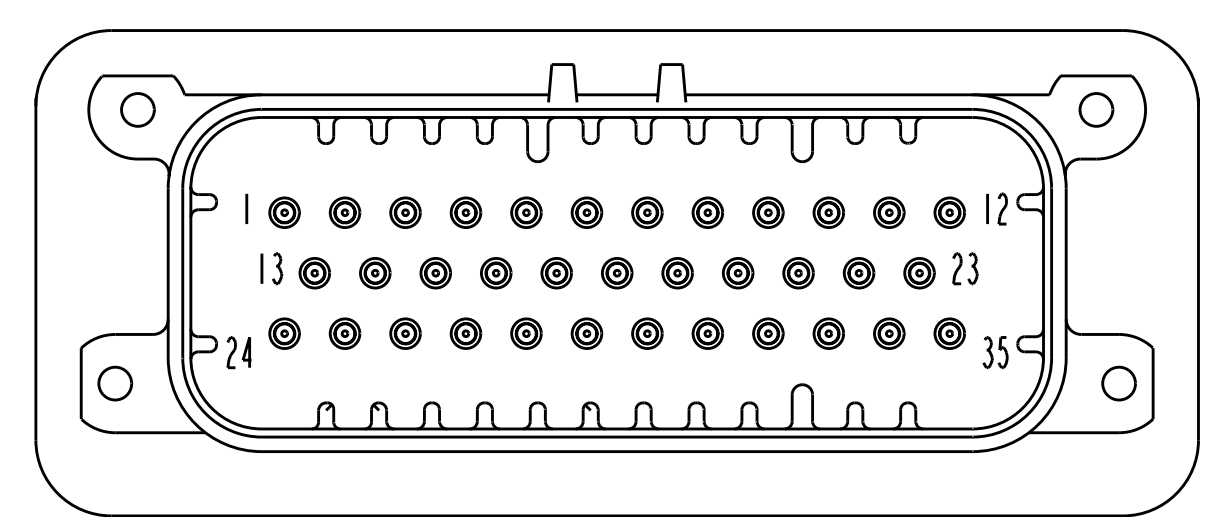
SECTION Z-Z  
 OPTIONAL CONSTRUCTION IF THICKNESS IS GREATER THAN 2.0  
 SCALE 8:1



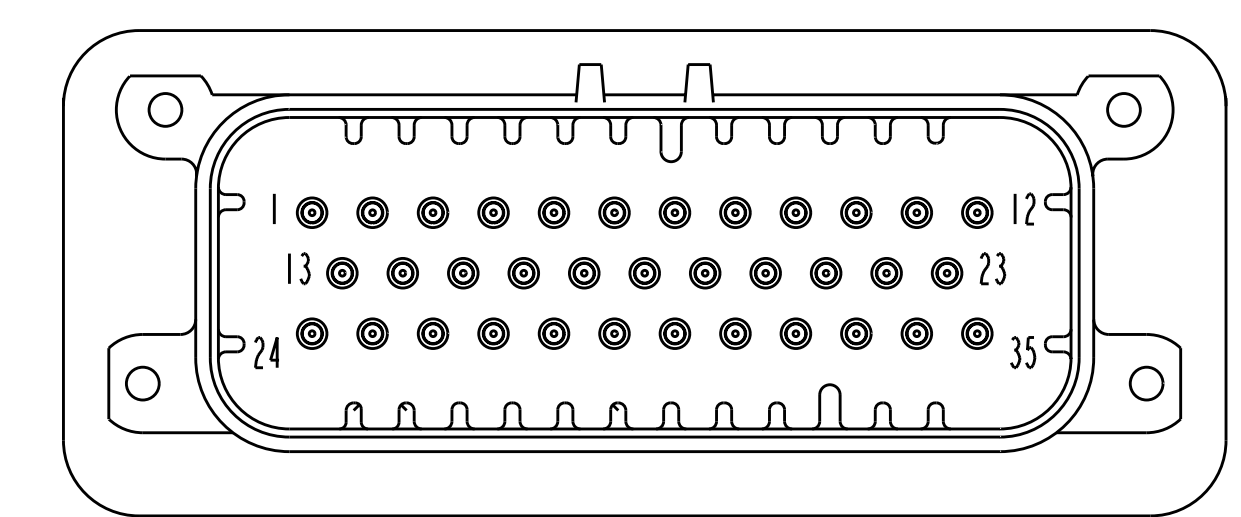
776180-2 & 1-776180-2  
 KEY LOCATION AS SHOWN  
 SCALE 2:1



776180-4 & 1-776180-4  
 KEY LOCATION AS SHOWN  
 SCALE 2:1



776180-5 & 1-776180-5  
 KEY LOCATION AS SHOWN  
 SCALE 2:1



1-776180-6  
 KEY LOCATION AS SHOWN  
 SCALE 2:1

THIS DRAWING IS A CONTROLLED DOCUMENT.		DWN R. VESTAL	31DEC2002	TE Connectivity
DIMENSIONS: mm		CHK D. CROWE	31DEC2002	
TOLERANCES UNLESS OTHERWISE SPECIFIED:		APVD D. CROWE	31DEC2002	NAME
0 PLC	±	PRODUCT SPEC		HEADER ASSEMBLY, 35 POSITION, RIGHT ANGLE, AMPSEAL
1 PLC	±0.3	APPLICATION SPEC		SIZE CAGE CODE DRAWING NO
2 PLC	±0.13	108-1329		A100779C-776180
3 PLC	±	114-16016		RESTRICTED TO
4 PLC	±	WEIGHT		
ANGLES	±	CUSTOMER DRAWING		SCALE 3:1 SHEET 2 OF 2 REV H3
MATERIAL	FINISH			