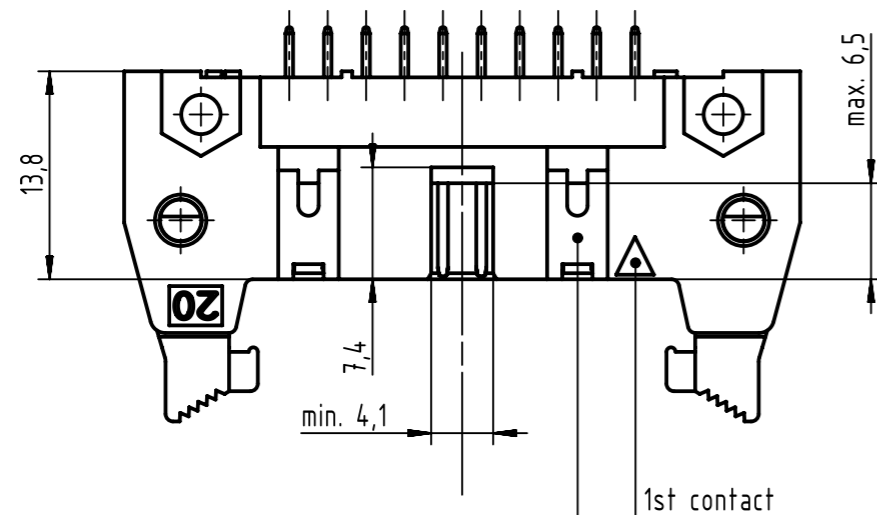
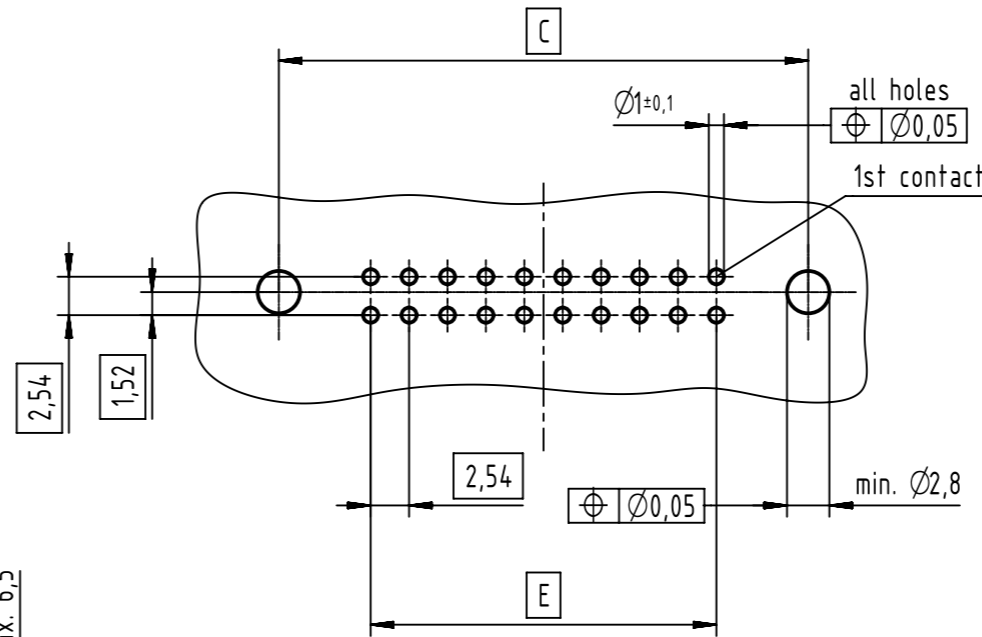
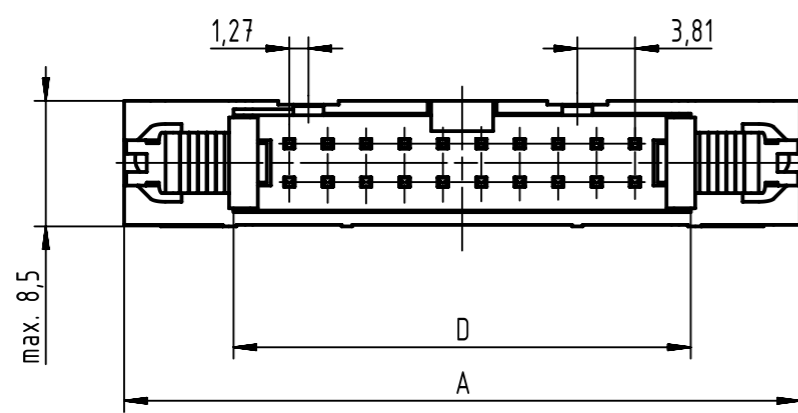
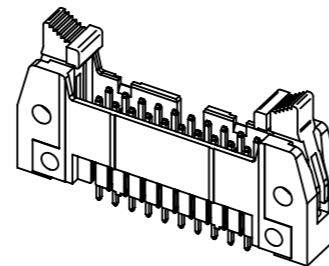


PCB layout  
view component side  
thickness 1,6



see table for coding,  
feature arrangement and style



coding style table	
	style A: for connectors 6-pole
	style B: for connectors from 10 to 14-pole
	style C: for connectors from 16 to 64-pole

further information  
see: DS 09191230202

full range of P/N's and  
dimensions shown on page 2/2

	All rights reserved Department EC PD - DE	Created by STORCK	Inspected by TADJE	Standardisation KOHLER	Date 2015-12-21	State Final Release	Ref. Sub. TB 09195XXX914 / 500000087654 / 2015-04-08
	HARTING Electronics GmbH D-32339 Espelkamp	Title SEK 19 male standard conn straight with short lever 2.9			Type TB	Number 09195XXX914	Doc-Key / ECM-Nr. 100154464/UGD/036/A 500000094596
						Rev. A	Page 1/2

performance level				insulator colour	dimensions				
no. of contacts	PL3	PL2	S4		A max.	C	D	E	F
	part number	part number	part number						
06	09 19 506 7914	09 19 506 6914	09 19 506 5914	beige	27,2	22,86	12,45	2,54 x 2 = 5,08	36,9
10	09 19 510 7914	09 19 510 6914	09 19 510 5914		32,3	27,94	17,53	2,54 x 4 = 10,16	42,0
14	09 19 514 7914	09 19 514 6914	09 19 514 5914		37,4	33,02	22,61	2,54 x 6 = 15,24	47,1
16	09 19 516 7914	09 19 516 6914	09 19 516 5914		39,9	35,56	25,15	2,54 x 7 = 17,78	49,6
20	09 19 520 7914	09 19 520 6914	09 19 520 5914		45,0	40,64	30,23	2,54 x 9 = 22,86	54,7
24	09 19 524 7914	09 19 524 6914	09 19 524 5914		50,1	45,72	35,91	2,54 x 11 = 27,94	59,8
26	09 19 526 7914	09 19 526 6914	09 19 526 5914		52,6	48,26	37,85	2,54 x 12 = 30,48	62,3
30	09 19 530 7914	09 19 530 6914	09 19 530 5914		58,0	53,34	43,83	2,54 x 14 = 35,56	68,2
34	09 19 534 7914	09 19 534 6914	09 19 534 5914		62,8	58,42	48,01	2,54 x 16 = 40,64	72,5
40	09 19 540 7914	09 19 540 6914	09 19 540 5914		70,4	66,04	55,63	2,54 x 19 = 48,26	80,1
50	09 19 550 7914	09 19 550 6914	09 19 550 5914		83,1	78,74	68,33	2,54 x 24 = 60,96	92,8
60	09 19 560 7914	09 19 560 6914	09 19 560 5914		95,8	91,44	81,03	2,54 x 29 = 73,66	105,5
64	09 19 564 7914	09 19 564 6914	09 19 564 5914		100,9	96,52	86,11	2,54 x 31 = 78,74	110,6
06	09 19 506 7914 001	09 19 506 6914 001	09 19 506 5914 001		black	27,2	22,86	12,45	2,54 x 2 = 5,08
10	09 19 510 7914 001	09 19 510 6914 001	09 19 510 5914 001	32,3		27,94	17,53	2,54 x 4 = 10,16	42,0
14	09 19 514 7914 001	09 19 514 6914 001	09 19 514 5914 001	37,4		33,02	22,61	2,54 x 6 = 15,24	47,1
16	09 19 516 7914 001	09 19 516 6914 001	09 19 516 5914 001	39,9		35,56	25,15	2,54 x 7 = 17,78	49,6
20	09 19 520 7914 001	09 19 520 6914 001	09 19 520 5914 001	45,0		40,64	30,23	2,54 x 9 = 22,86	54,7
24	09 19 524 7914 001	09 19 524 6914 001	09 19 524 5914 001	50,1		45,72	35,91	2,54 x 11 = 27,94	59,8
26	09 19 526 7914 001	09 19 526 6914 001	09 19 526 5914 001	52,6		48,26	37,85	2,54 x 12 = 30,48	62,3
30	09 19 530 7914 001	09 19 530 6914 001	09 19 530 5914 001	58,0		53,34	43,83	2,54 x 14 = 35,56	68,2
34	09 19 534 7914 001	09 19 534 6914 001	09 19 534 5914 001	62,8		58,42	48,01	2,54 x 16 = 40,64	72,5
40	09 19 540 7914 001	09 19 540 6914 001	09 19 540 5914 001	70,4		66,04	55,63	2,54 x 19 = 48,26	80,1
50	09 19 550 7914 001	09 19 550 6914 001	09 19 550 5914 001	83,1		78,74	68,33	2,54 x 24 = 60,96	92,8
60	09 19 560 7914 001	09 19 560 6914 001	09 19 560 5914 001	95,8		91,44	81,03	2,54 x 29 = 73,66	105,5
64	09 19 564 7914 001	09 19 564 6914 001	09 19 564 5914 001	100,9		96,52	86,11	2,54 x 31 = 78,74	110,6

	All rights reserved	Created by	Inspected by	Standardisation	Date	State	
	Department EC PD - DE	STORCK	TADJE	KOHLER	2015-12-21	Final Release	
HARTING Electronics GmbH D-32339 Espelkamp		Title SEK 19 male standard conn straight with short lever 2.9				Doc-Key / ECM-Nr. 100154464/UGD/036/A 50000094596	
		Type	Number		Rev.	Page	
		TB	09195XXX914		A	2/2	