

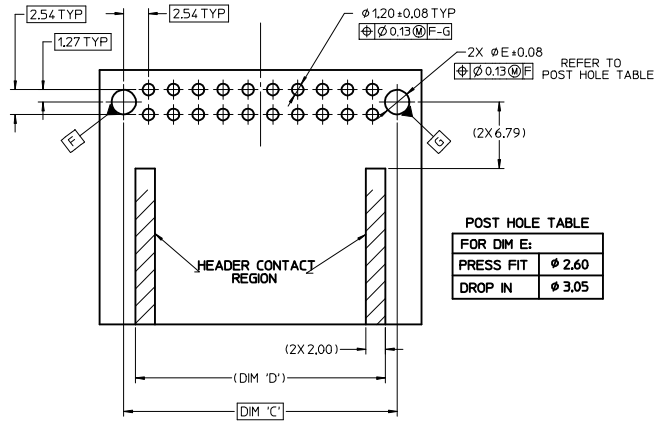
MATERIAL NUMBER			CKT SIZE	DESCRIPTION	POL	COLOR
TRAY PACKAGING PK-31300-892	TUBE PACKAGING PK-31301-063	ALT TRAY PACK PK-31300-894				
34691-0200	34691-9200	34691-9204	20	STAC64 RIGHT ANGLE HEADER ASSEMBLY	A	BLACK
34691-0201	34691-9201	TBD	20	STAC64 RIGHT ANGLE HEADER ASSEMBLY	B	GREY
34691-0202	34691-9202	TBD	20	STAC64 RIGHT ANGLE HEADER ASSEMBLY	C	BROWN
34691-0203	34691-9203	TBD	20	STAC64 RIGHT ANGLE HEADER ASSEMBLY	D	GREEN
34691-0160	34691-9160	TBD	16	STAC64 RIGHT ANGLE HEADER ASSEMBLY	A	BLACK
34691-0161	34691-9161	TBD	16	STAC64 RIGHT ANGLE HEADER ASSEMBLY	B	GREY
34691-0162	34691-9162	TBD	16	STAC64 RIGHT ANGLE HEADER ASSEMBLY	C	BROWN
34691-0120	34691-9120	TBD	12	STAC64 RIGHT ANGLE HEADER ASSEMBLY	A	BLACK
34691-0121	34691-9121	TBD	12	STAC64 RIGHT ANGLE HEADER ASSEMBLY	B	GREY
34691-0122	34691-9122	TBD	12	STAC64 RIGHT ANGLE HEADER ASSEMBLY	C	BROWN
34691-0080	34691-9080	TBD	8	STAC64 RIGHT ANGLE HEADER ASSEMBLY	A	BLACK
34691-0081	34691-9081	TBD	8	STAC64 RIGHT ANGLE HEADER ASSEMBLY	B	GREY
34691-0082	34691-9082	TBD	8	STAC64 RIGHT ANGLE HEADER ASSEMBLY	C	BROWN

- NOTES: VALID UNLESS OTHERWISE SPECIFIED
1. GENERAL:
- CONNECTOR HEADER MUST BE VALIDATED TO THE FOLLOWING FUNCTIONAL REQUIREMENTS:
POLARIZATION FEATURE EFFECTIVENESS - SEE PRODUCT SPECIFICATION
PIN RETENTION - USCAR-2 REV 4
SOLDERABILITY - SMES-152
 - APPLICATION REQUIREMENTS (REFERENCE ONLY) FOR:
SEE APPLICATION SPECIFICATION - AS-34729-020/AS-31408-100
SEE PRODUCT SPECIFICATION - PS-34729-020/PS-31408-100
 - PACKAGING SPECIFICATION: SEE CHART
2. DESIGN: MATERIALS:
- SHROUD (PLASTIC HOUSING):
RESIN - SPS 30%GF - 20% REGRIND MAX. BY WEIGHT
 - 0.64MM PINS:
BASE MATERIAL: C26000
PLATING TYPE: AS NOTED
 - PIN ALIGNMENT PLATE: NYLAR
3. PLATING REQUIREMENTS:
- UNDERPLATING - OVERALL NICKEL
 - OVERPLATING - OVERALL TIN
4. INTERFACE: USCAR
064-U-008-2-202
064-U-012-2-203
064-U-016-2-203
064-U-020-2-202
SOME CHAMBERS HAVE BEEN MODIFIED TO IMPROVE POLARIZATION EFFECTIVENESS. SEE AS-34729-002/AS-31408-100.

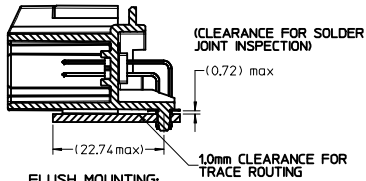
UPDATED DIMENSIONS EC NO: UAU2017-0187 CHYK: FISCHER01 2016/08/31 APPR: RAJMAN 2016/09/08	QUALITY SYMBOLS 	GENERAL TOLERANCES (UNLESS SPECIFIED)		DIMENSION STYLE MM ONLY		SCALE 2:1	DESIGN UNITS METRIC	THIRD ANGLE PROJECTION
		4 PLACES ±.--- ±.--- 3 PLACES ±.--- ±.--- 2 PLACES ±0.13 ±.--- 1 PLACE ±0.25 ±.--- ANGULAR ± 3 °	mm INCH	DRAWN BY MBAILEY	DATE 10/02/06	TITLE STAC64 SINGLE BAY RIGHT ANGLE ASSEMBLY SALES DRAWING		
		DRAFT WHERE APPLICABLE MUST REMAIN WITHIN DIMENSIONS		APPROVED BY SMARCEAU 2010/11/04		MOLEX INCORPORATED MATERIAL NO. SD-34691-100 DOCUMENT NO. SD-34691-100		
				SEE CHART		SHEET NO. 1 OF 2		

CKT SIZE	DIM 'A'	DIM 'B'	DIM 'C'	DIM 'D'
20	34.04	31.57	27.94	25.54
16	28.96	26.49	22.86	20.46
12	23.88	21.41	17.78	15.38
8	18.80	16.53	12.70	10.30

RECOMMENDED PCB LAYOUT

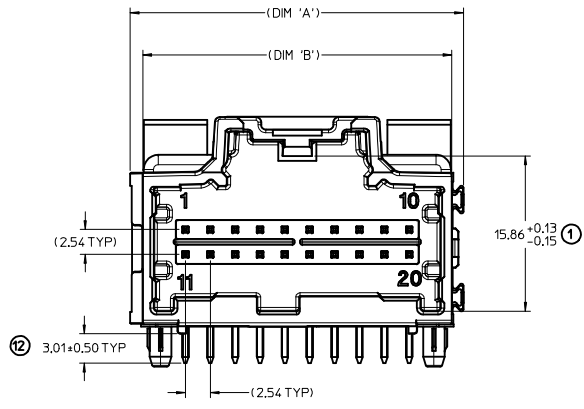


POST HOLE TABLE	
FOR DIM E:	
PRESS FIT	φ 2.60
DROP IN	φ 3.05

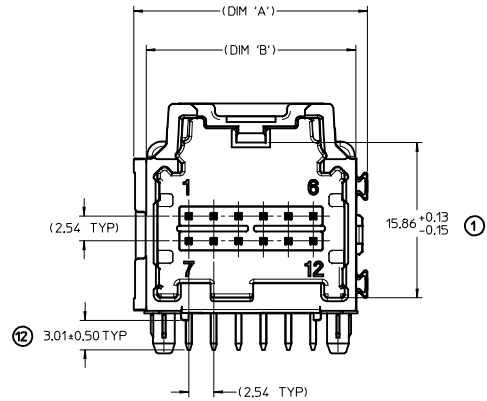


FLUSH MOUNTING:
HEADER-TO-PCB
SCALE 2:1

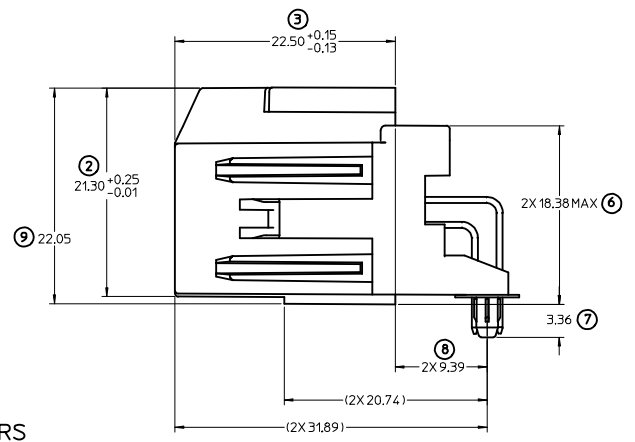
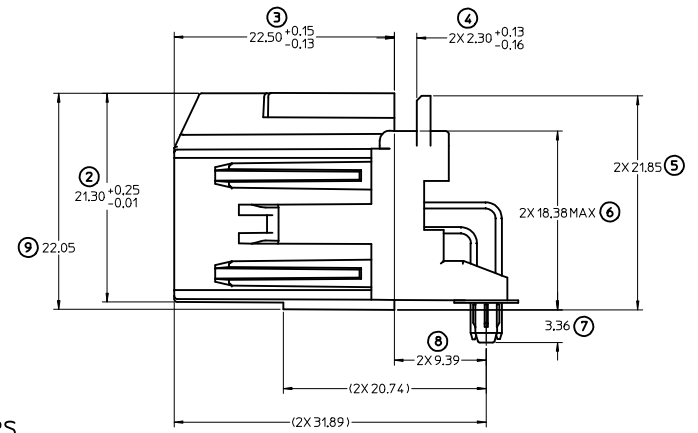
RECOMMENDED FOR WAVE SOLDER
FOR REFLOW CAPABLE PLASTIC PAP SEE:
SD-34691-600



LAYOUT FOR 16 & 20 CKT. HEADERS
(20 CKT. OPTION 'A' SHOWN)



LAYOUT FOR 8 & 12 CKT. HEADERS
(12 CKT. OPTION 'A' SHOWN)



UPDATED DIMENSIONS IEC NO. UAU2017-0187 DRAWN/FISCHER01 2016/08/31 CHKD: APPR:RBALMAN 2016/09/08 REV DESCRIPTION	QUALITY SYMBOLS ▽=0 ▽=0		GENERAL TOLERANCES (UNLESS SPECIFIED) <table border="1"> <thead> <tr> <th></th> <th>mm</th> <th>INCH</th> </tr> </thead> <tbody> <tr> <td>4 PLACES</td> <td>± 0.13</td> <td>± 0.005</td> </tr> <tr> <td>3 PLACES</td> <td>± 0.25</td> <td>± 0.010</td> </tr> <tr> <td>2 PLACES</td> <td>± 0.38</td> <td>± 0.015</td> </tr> <tr> <td>1 PLACE</td> <td>± 0.51</td> <td>± 0.020</td> </tr> </tbody> </table>			mm	INCH	4 PLACES	± 0.13	± 0.005	3 PLACES	± 0.25	± 0.010	2 PLACES	± 0.38	± 0.015	1 PLACE	± 0.51	± 0.020	DIMENSION STYLE MM ONLY		SCALE 4:1	DESIGN UNITS METRIC	THIRD ANGLE PROJECTION
		mm	INCH																					
	4 PLACES	± 0.13	± 0.005																					
	3 PLACES	± 0.25	± 0.010																					
2 PLACES	± 0.38	± 0.015																						
1 PLACE	± 0.51	± 0.020																						
DRAFT WHERE APPLICABLE MUST REMAIN WITHIN DIMENSIONS			APPROVED BY SMARCEAU 2010/11/04		DATE 2010/11/04		TITLE STAC64 SINGLE BAY RIGHT ANGLE ASSEMBLY SALES DRAWING																	
SIZE D			SEE CHART		MATERIAL NO. MOLEX INCORPORATED		DOCUMENT NO. SD-34691-100																	
THIS DRAWING CONTAINS INFORMATION THAT IS PROPRIETARY TO MOLEX INCORPORATED AND SHOULD NOT BE USED WITHOUT WRITTEN PERMISSION			SHEET NO. 2 OF 2																					