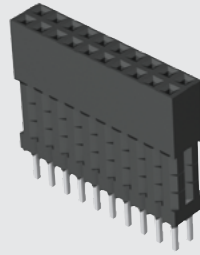


(2.54 mm) .100"

ESQ-110-44-T-D



ESW-115-12-G-S



ESQ-132-14-G-D

ESW, ESQ SERIES

# ELEVATED SOCKET

**Mates with:**  
TSW, MTSW, EW,  
MTLW, TSS, ZSS, TSM,  
DW, ZW, HW, TSSH, HTSS

## SPECIFICATIONS

For complete specifications see [www.samtec.com?ESW](http://www.samtec.com?ESW) or [www.samtec.com?ESQ](http://www.samtec.com?ESQ)

**Insulator Material:**  
Black Glass Filled Polyester  
**Contact Material:**  
Phosphor Bronze

**Plating:**  
Au or Sn over  
50 μ" (1.27 μm) Ni  
**Current Rating (ESW/TSW):**  
5.2 A per pin  
(1 pin powered per row)  
**Current Rating (ESQ/TSW):**  
5.7 A per pin  
(1 pin powered per row)

**Voltage Rating:**  
550 VAC mated with  
TSW or ESQ

**Operating Temp Range:**  
-55 °C to +125 °C with Gold  
-55 °C to +105 °C with Tin

**Contact Resistance:**  
10 mΩ

**Insertion Depth:**  
(3.68 mm) .145" to  
(6.35 mm) .250"

**Normal Force:**  
Standard = 125 grams (4.4 N)

**Max Cycles:**  
100 with 10 μ" (0.25 μm) Au

**RoHS Compliant:**  
Yes

**Lead-Free Solderable:**  
Wave only

## RECOGNITIONS

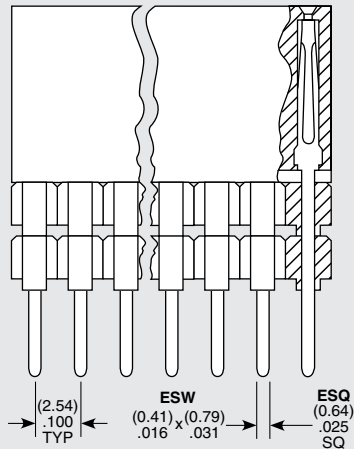
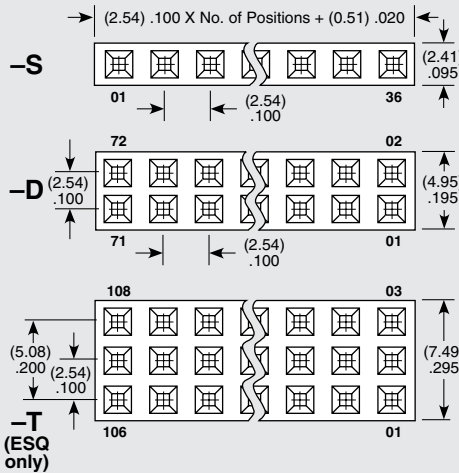
For complete scope of recognitions see [www.samtec.com/quality](http://www.samtec.com/quality)



TYPE STRIP	1	NO. PINS PER ROW	LEAD STYLE	PLATING OPTION	ROW OPTION	OTHER OPTION
<b>ESW</b> = Solder Tail  <b>ESQ</b> = Square Tail		<b>ALSO AVAILABLE</b> (MOQ Required) • Other platings Contact Samtec.	<b>-L</b> = 10 μ" (0.25 μm) Gold contact, Matte Tin on tail  <b>-G</b> = 20 μ" (0.51 μm) Gold contact, Gold Flash on Balance  <b>-T</b> = Matte Tin (N/A w/LIF contact)	<b>-S</b> = Single Row  <b>-D</b> = Double Row  <b>-T</b> = Triple Row (ESQ only)	<b>-LL</b> = Locking Lead    Two leads per strip crimped. N/A with single row 1 or 2 positions.	<b>"XXX"</b> = Polarized



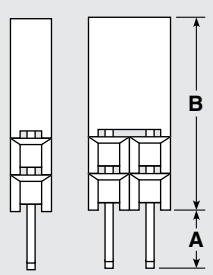
01 thru 36



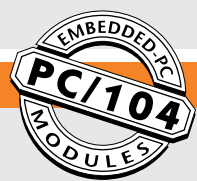
**Note:** Some lengths, styles and options are non-standard, non-returnable.

## Specify LEAD STYLE from chart below.

STANDARD INSERTION FORCE	LOW INSERTION FORCE	A	B
- 12	- 37	(2.29) .090	(11.05) .435
- 13	- 38	(7.36) .290	
- 23	- 48	(4.83) .190	(13.59) .535
- 33	- 58	(2.29) .090	(16.13) .635
- 14	- 39	(12.19) .480	(11.05) .435
- 24	- 49	(9.65) .380	(13.59) .535
- 34	- 59	(7.11) .280	(16.13) .635
- 44	- 69	(4.57) .180	(18.67) .735



## APPLICATIONS



PC/104™ J1/P1 "Stackthrough" Connectors	
Standard Insertion Force	ESQ-132-14-G-D
Low Insertion Force	ESQ-132-39-G-D
PC/104™ J1 "Non-Stackthrough" Connectors	
Standard Insertion Force	ESQ-132-12-G-D
Low Insertion Force	ESQ-132-37-G-D
PC/104™ J2/P2 "Stackthrough" Connectors	
Standard Insertion Force	ESQ-120-14-G-D
Low Insertion Force	ESQ-120-39-G-D

PC/104 is a trademark of the PC/104 Consortium.